



G* GRASS®

**QUATURIS CORNER CABINET SYSTEMS AND
CABINET SUSPENSION FITTINGS**

Intelligent solutions for more storage space.
Ergonomic, versatile and functional.





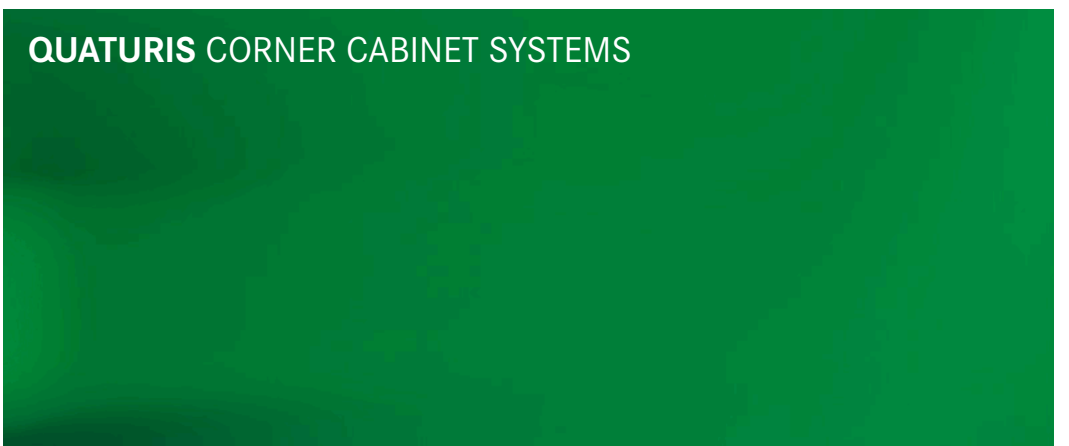
Each corner is a curve.



With the Quaturis L GRASS supplies a convenient movement solution for standard corner base cabinets.

With Quaturis L, a special swivel mechanism ensures that the ergonomically shaped shelves swing almost completely out of the corner cabinet, offering optimum access to the entire storage area. The fact that the lowest shelf automatically starts moving when the door is opened is not just pleasing to watch, but it also brings all the stored items into view. The shelf can now be loaded and unloaded with ease. The closing mechanism is also particularly convenient as all the shelves retract back into the cabinet at a touch.

Naturally, gently damped by Soft-close.





The right corner cabinet system turns a dead corner into the perfect storage space.

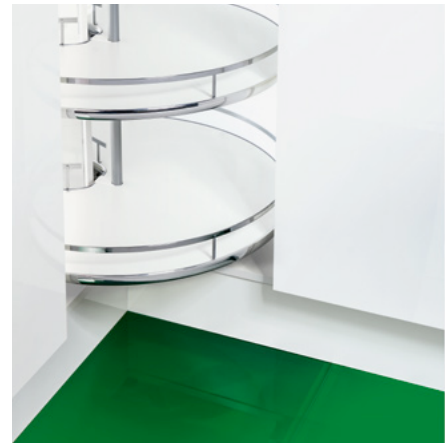
In times past you had to get down on your knees to reach the contents of base corner cabinets. With our Quaturis systems, that has all changed. Quaturis corner cabinet solutions always turn and swivel the stored items into the ergonomically optimum position so that pots and pans are accessible at the front of the base unit.



Making optimum use of storage space is one of the greatest challenges in modern furniture design. Particularly so when it comes to perfect organisation in the kitchen. And what nobody realises: corner areas hold the greatest potential.

QUATURIS CORNER CABINET SYSTEMS

With Quaturis we are squaring the circle. This is not advanced mathematics, but a fundamental principle for comfortable corner cabinet systems.



With Quaturis, GRASS is offering top-of-the-range functional and, above all, comfortable corner cabinet solutions. The product range includes various corner solutions with semi-circular and $\frac{3}{4}$ circle shelves made of wood or plastic. All components are perfectly matched and can be individually combined to meet the respective requirement. Furthermore, the closing process is particularly convenient because the Soft-close damping system gently slows the movement of the front and pulls it to the fully closed position.

These special characteristics make Quaturis a highly convenient functional system for the modern kitchen.



QUATURIS CORNER CABINET SYSTEMS

GRASS corner cabinet systems with maximum versatility and convenience.



Quaturis L – The convenient movement system for standard corner cabinets.


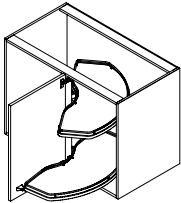

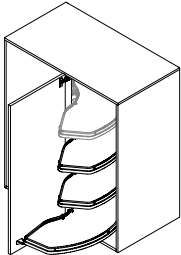
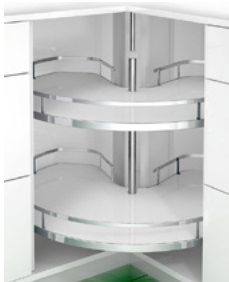
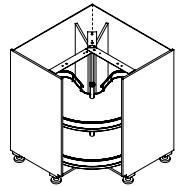
The special swivel mechanism ensures that the ergonomically shaped shelves swing almost completely out of the corner cabinet, offering optimum access to the entire storage area. The fact that the lowest shelf automatically starts moving when the door is opened is not just pretty to watch, it also brings all the stored items into view. The shelf can now be loaded and unloaded with great ease. In addition, the closing mechanism is particularly convenient because all the shelves retract back into the cabinet when the door is closed.

Quaturis 71 – Functional and variable corner cabinet solutions for discerning demands

Quaturis 71 makes it easy for everybody. Doors close gently and elegantly with the unique Quaturis 71 closing damper, which can be adjusted for the weight of the door and the weight of shelves and stored items. Even with fully loaded shelves, optimum functionality is guaranteed. Furthermore, with its adjustable telescopic tube, the Quaturis 71 is suitable for all common cabinet and worktop heights. Quaturis 71 is the basic fitting for both 80 cm and 90 cm wide corner cabinets. It is also suitable for a wide range of door openings and fits with all common shelves.

CORNER CABINET SYSTEMS

Intelligent corner cabinet solutions for more storage space.
Efficient. Variable. Functional.

	Product description		Page
	<p>Quaturis L corner cabinet solutions for standard base cabinets</p> <ul style="list-style-type: none"> • With wooden shelves • Premium functional fitting for standard corner cabinets • For internal cabinet heights of 610 - 770 mm (2 shelves) • For cabinet widths of 900, 1000 and 1200 mm • Suitable from 490 mm internal depth • Use with standard and blind corner hinges • Also suitable for handle-free kitchen furniture 		8
	<p>Quaturis S corner cabinet solutions for standard tall cabinets</p> <ul style="list-style-type: none"> • With wooden shelves • Premium functional fitting for standard corner cabinets • For internal cabinet heights of 900 - 1200 mm (3 shelves) and 1200 - 1500 mm (4 shelves) • For cabinet widths of 900, 1000 and 1200 mm • Suitable from 490 mm internal depth • Use with standard and blind corner hinges • Also suitable for handle-free kitchen furniture 		14
	<p>Quaturis 71 for 90° corner cabinet solutions</p> <ul style="list-style-type: none"> • Pie-cut corner cabinet fitting for 90° corner cabinet solutions • Uniform door application with optimum stability for standard and frame doors • Three-dimensional door reveal adjustment (height, sides, depth) • Easy attachment of handle-free fronts and fronts with handle strips 		20

	Technical information, Quaturis L	12
	Technical information, Quaturis S	18
	Technical information, Quaturis 71	22
	Assembly aids	26
	Cabinet suspension fittings	29

QUATURIS L

Corner cabinet solutions for standard base cabinets



- Premium functional fitting for standard corner cabinets; widths 900 mm, 1000 mm and 1200 mm
- Suitable for clear depths from 490 mm (standard hinge)
- For clear cabinet heights of 610 - 770 mm
- Fitting and shelves can be used on left/right
- Can be used with standard and post hinges (overlying)
- Excellent access to the entire storage area
- Integrated closing damper
- Wooden shelves can carry 18 kg each

- Shelves with tool-free quick assembly, stepless height adjustment
- Wooden shelves, 16 mm chipboard, white/grey/stone



ORDER INFORMATION

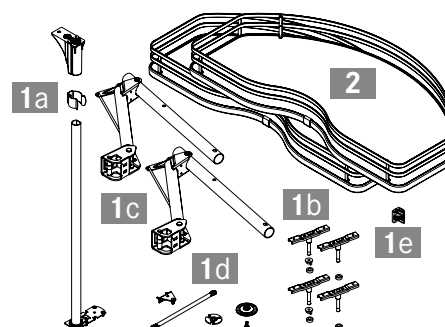
1 Quaturis L corner cabinet fitting set for KB 900/1000/1200 consisting of items 1a (1x), 1b (4x), 1c (2x), 1d (1x), 1g (1x)			
KH	Colour	Application	Art.-no.
610-650	Galvanised	left/right	F154148221
651-690	Galvanised	left/right	F154148223
691-730	Galvanised	left/right	F154148225
731-770	Galvanised	left/right	F154148227



2 Quaturis L/S shelf set consisting of item 2 (2x)				
Railing	Shelf	TYP	KB	Art.-no.
Double, flat, chromium-plated	Wood, white	450	900	F154148204
		500	1000	F154148205
		600	1200	F154148206
	Wood, grey	450	450	F154148207
		500	500	F154148208
		600	600	F154148209
Single, flat, chromium-plated	Wood, white	450	900	F154148198
		500	1000	F154148199
		600	1200	F154148200
	Wood, grey	450	450	F154148201
		500	500	F154148202
		600	600	F154148203
Single, flat, stone	Wood, stone	450	450	F154148279
		500	500	F154148280
		600	600	F154148281
Single, round, grey	Wood, white	450	900	F154148192
		500	1000	F154148193
		600	1200	F154148194
	Wood, grey	450	450	F154148195
		500	500	F154148196
		600	600	F154148197



- 1 1 set includes:
- 1a Telescopic tube with top and bottom bearings (1x)
 - 1b Shelf adapter (4x)
 - 1c Opening mechanism (2x)
 - 1d Door link, complete, with spacer roll, screw-on elements and cover cap for screw-on angle (1x)
 - 1e Damper and stop element (1x)
- Installation instructions, drilling templates and securing screws

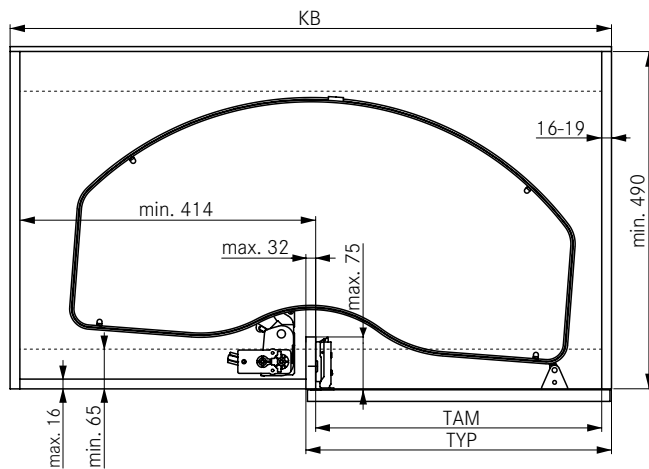


Note: Door hinges not included in the delivery!

Installation information, blind corner hinge	10	Assembly aids	26
Technical information	12		

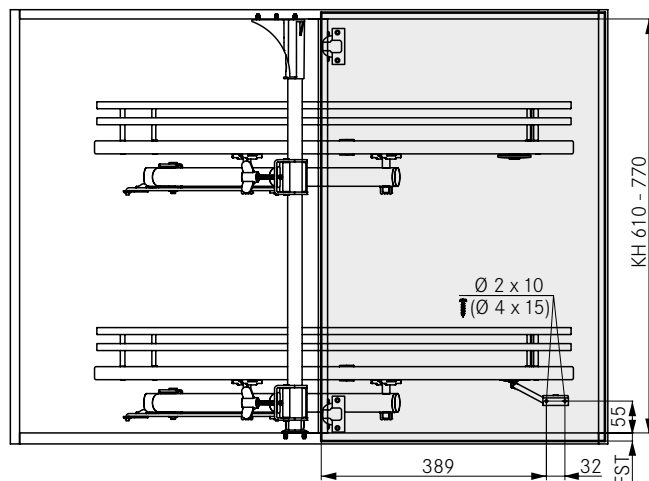
INSTALLATION INFORMATION FOR 110° STANDARD HINGE

Space requirement (drawing shows l/h application)

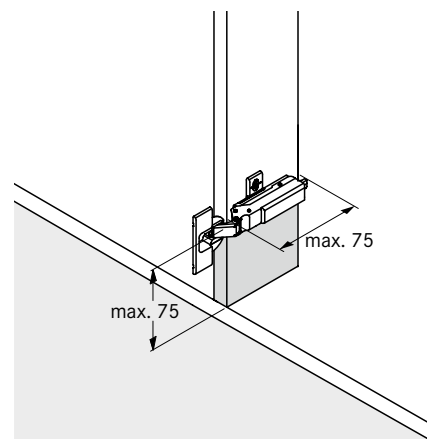


TYP	KB	TAM
450	900 (min. 870)	412-418
500	1000 (min. 920)	462-468
600	1200 (min. 1020)	562-568

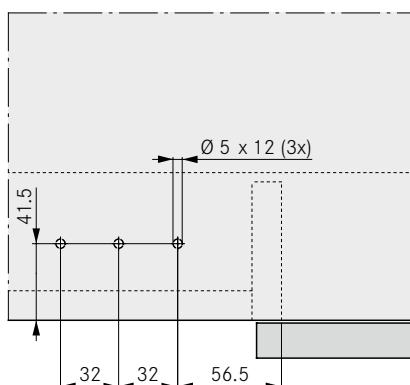
Door installation (drawing shows l/h application)



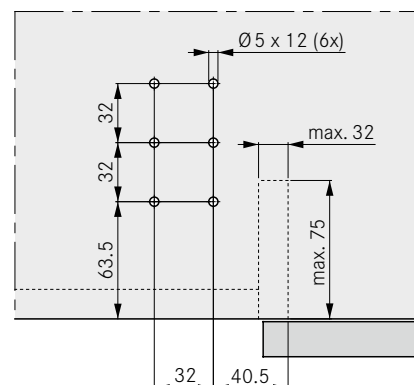
Hinge mounting



Top fixing of cross bar (drawing shows l/h application)



Fixing to cabinet base (drawing shows l/h application)



Important! The cabinet base and "top" cross bar must be drilled before assembly! Use Euro collar screw $\text{Ø } 6.3 \times 10.5$

LEGEND

FST Front overlay
KB Cabinet width
KH Cabinet height
TAM Door cut-out dimension

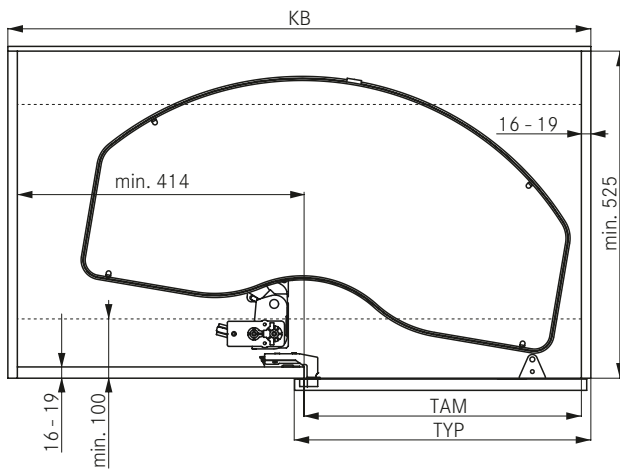
TYP Design dimension

QUATURIS L

Corner cabinet solutions for standard base cabinets

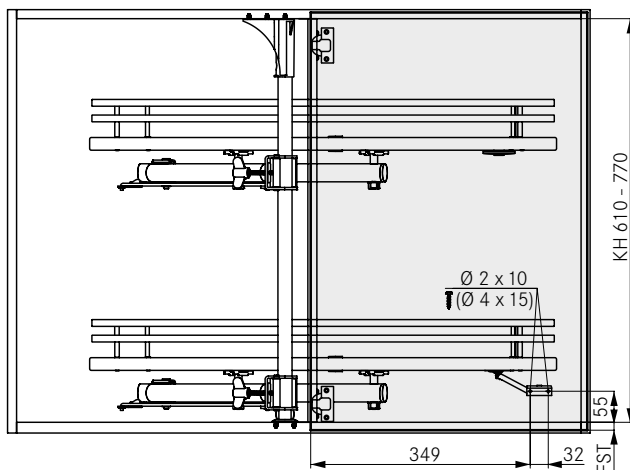
INSTALLATION INFORMATION FOR 110°/90A BLIND CORNER HINGE (OVERLAY)

Space requirement (drawing shows l/h application)

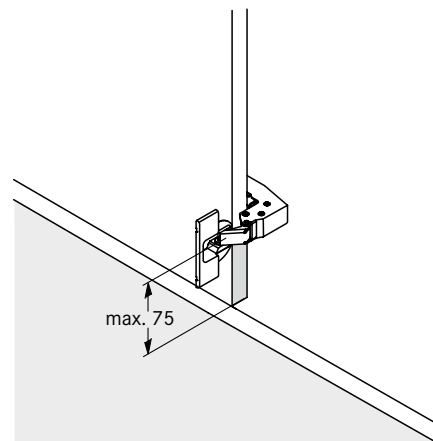


TYP	KB	TAM
450	900 (min. 880)	412-424
500	1000 (min. 930)	462-474
600	1200 (min. 1030)	562-574

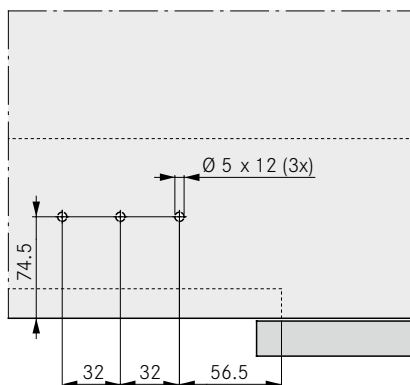
Door installation (drawing shows l/h application)



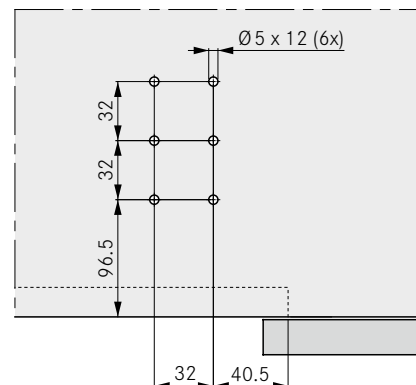
Hinge mounting



Top fixing of cross bar (drawing shows l/h application)



Fixing to cabinet base (drawing shows l/h application)



Important! The cabinet base and "top" cross bar must be drilled before assembly! Use Euro collar screw Ø 6.3 x 10.5

Quaturis L	8
Technical information	12

Assembly aids	26
---------------	----

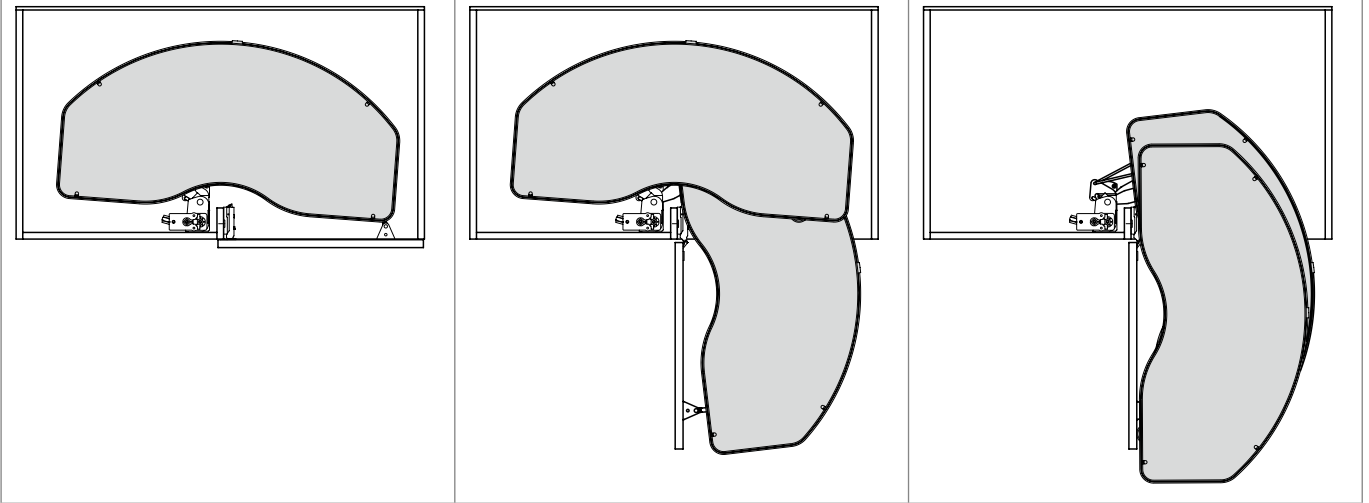
--	--

QUATURIS L

Technical information

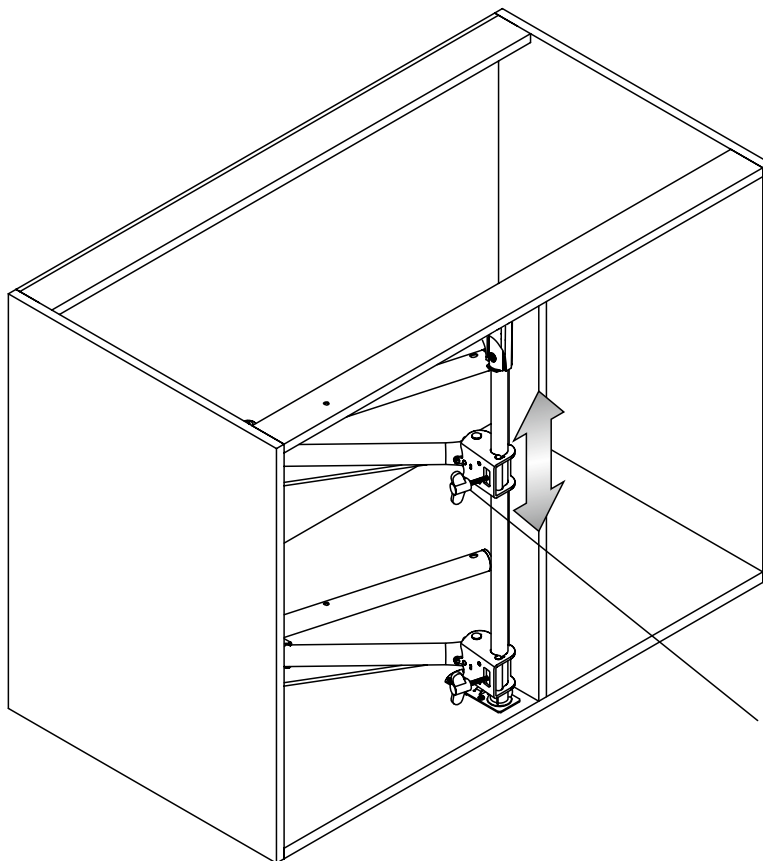
MOVEMENT SEQUENCE

Shelves



ADJUSTMENTS

Height adjustment

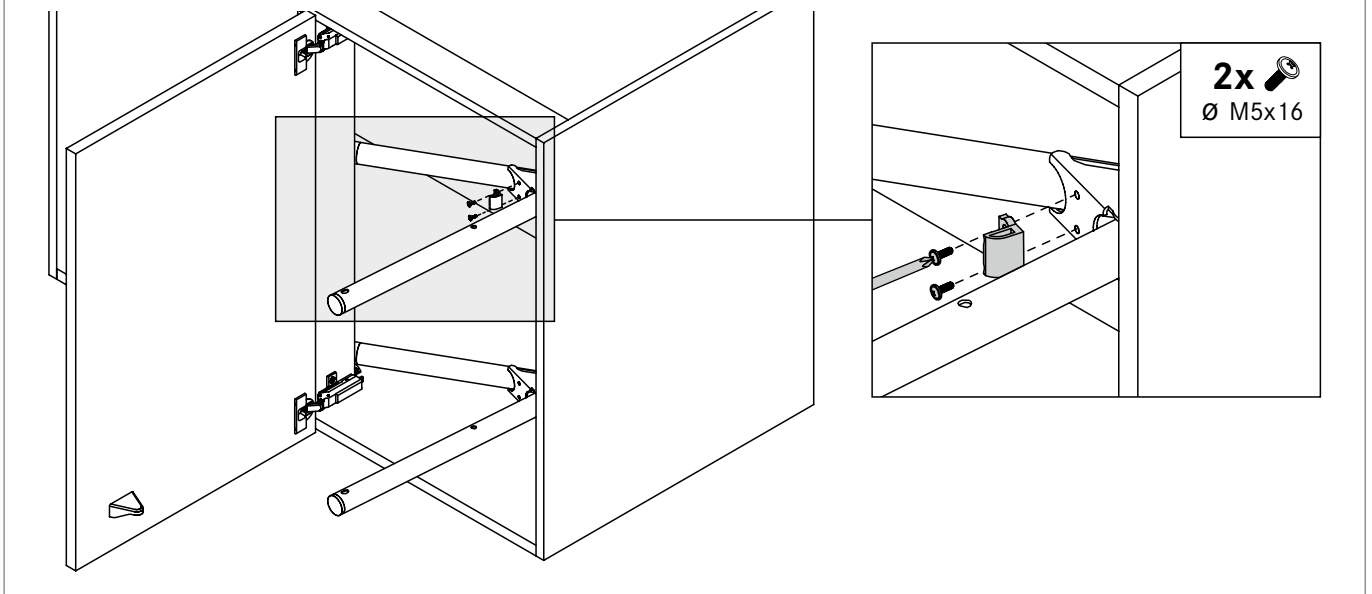


mind. 4 Nm

Quaturis L	8
Assembly aids	26

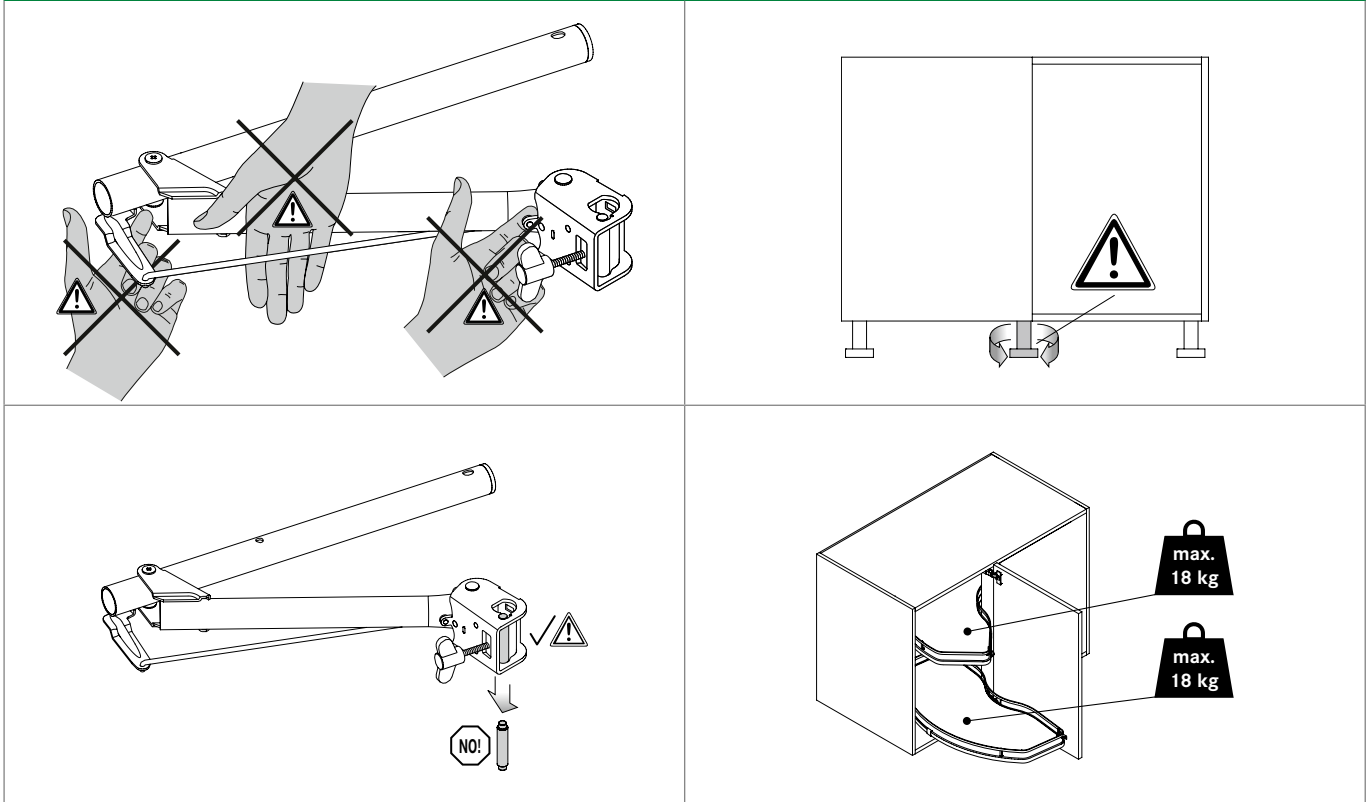
INSTALLATION

Fitting the damper

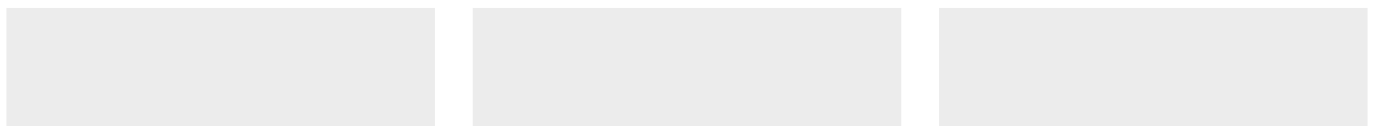


NOTES

Safety instructions



LEGEND



QUATURIS S

Corner cabinet solutions for standard tall cabinets



- Premium functional fitting for standard corner cabinets; widths 900 mm, 1000 mm and 1200 mm
- Suitable for clear depths from 490 mm (standard hinge)
- For internal cabinet heights of 900 - 1200 mm (3 shelves) and 1200 - 1500 mm (4 shelves)
- Can be used with standard and blind corner hinges (overlying)
- Excellent access to the entire storage area
- Integrated closing damper and self-retracting function

- Wooden shelves can carry 20 kg each
- Shelves with tool-free quick assembly, stepless height adjustment
- Wooden shelves, 16 mm chipboard, white/grey/stone



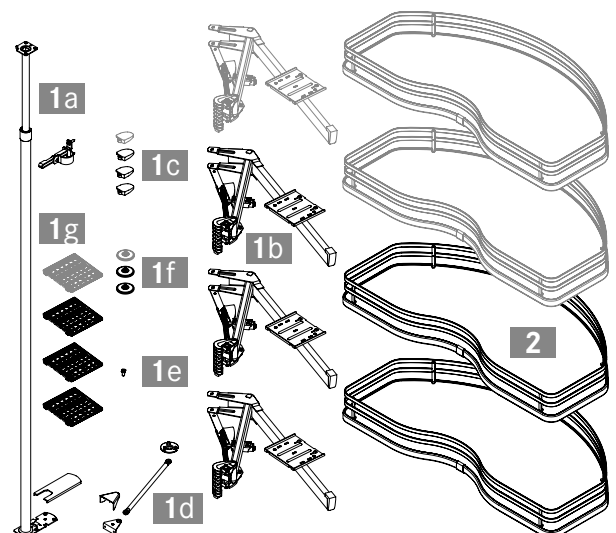
ORDER INFORMATION

1 Quaturis S corner cabinet fitting set consisting of:				
KH 900 - 1200 mm: items 1a (1x), 1b (3x), 1c (3x), 1d (1x), 1e (1x), 1f (2x), 1g (3x)				
KH 1200 - 1500 mm: items 1a (1x), 1b (4x), 1c (4x), 1d (1x), 1e (1x), 1f (3x), 1g (4x)				
KB	TYP	Application	Art.-no.	
			KH 900 - 1200	KH 1200 - 1500
900	450	Left	F154148027	F154148029
		Right	F154148028	F154148030
1000	500	Left	F154148027	F154148029
		Right	F154148028	F154148030
1200	600	Left	F154148027	F154148029
		Right	F154148028	F154148030

2 Quaturis L/S shelf set consisting of item 2 (2x)				
Railing	Shelf	TYP	KB	Art.-no.
Double, flat, chromium-plated	Wood, white	450	900	F154148204
		500	1000	F154148205
		600	1200	F154148206

2 For additional Quaturis L/S shelf sets, see page 8				

- 1 set includes:
- 1a Telescopic tube and top and bottom screw-on plates, as well as clip and cover cap (1x)
 - 1b Swing mechanism with clamping elements, self-retracting function and damper (3x or 4x)
 - 1c Cover caps for clamping element (3x or 4x)
 - 1d Connecting arm complete with screw-on elements and cover cap for screw-on bracket (1x)
 - 1e Opening angle reduction clip (1x)
 - 1f Guide disc including running socket with pre-fitted Euro screw (2x or 3x)
 - 1g Shelf clip plate (3x or 4x)
- Installation instructions, drilling templates and securing screws

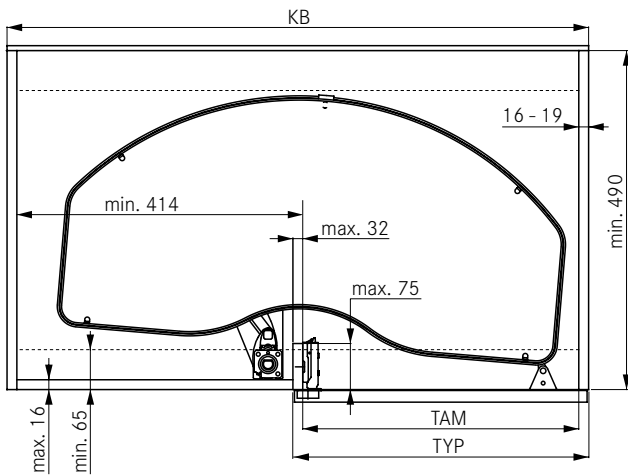


Note: Door hinges not included in the delivery!

Installation information, blind corner hinge	16	Assembly aids	26		
Technical information	18				

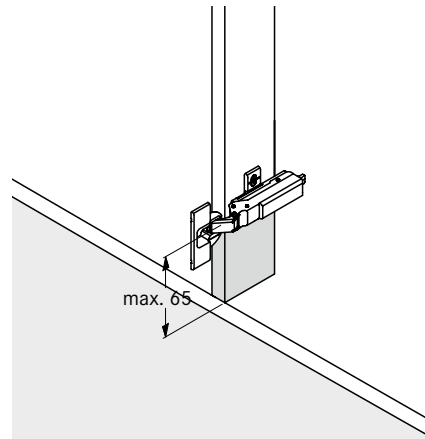
INSTALLATION INFORMATION FOR 110° STANDARD HINGE

Space requirement (drawing shows l/h application)

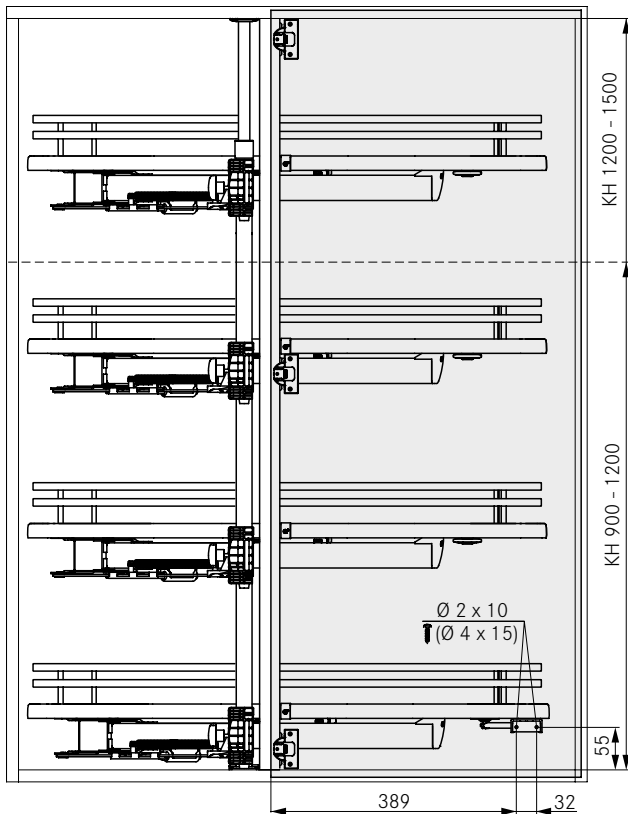


TYP	KB	TAM
450	900 (min. 870)	412-418
500	1000 (min. 920)	462-468
600	1200 (min. 1020)	562-568

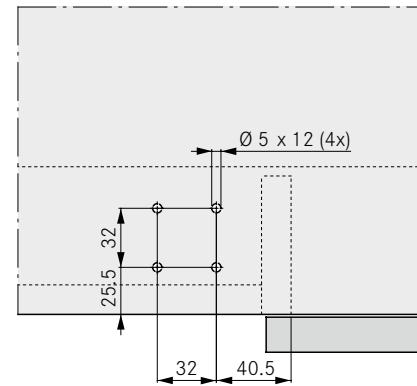
Hinge mounting



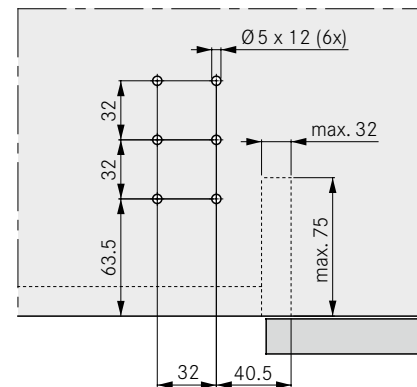
Door installation (drawing shows l/h application)



Top fixing of cross bar (drawing shows l/h application)



Fixing to cabinet base (drawing shows l/h application)



Important! The cabinet base and "top" cross bar must be drilled before assembly! Use Euro collar screw Ø 6.3 x 10.5

LEGEND

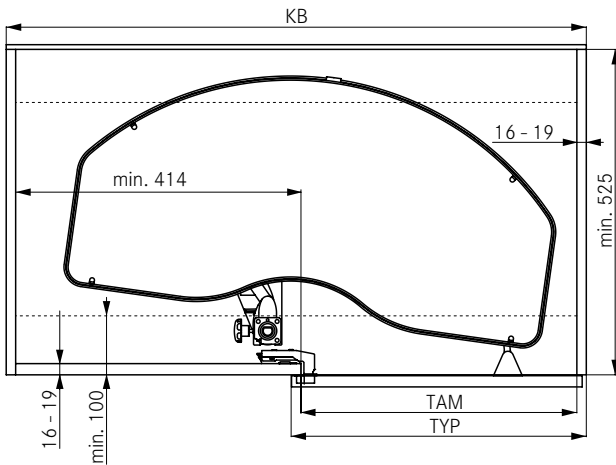
- KB Cabinet width
- KH Cabinet height
- TAM Door cut-out dimension
- TYP Design dimension

QUATURIS S

Corner cabinet solutions for standard tall cabinets

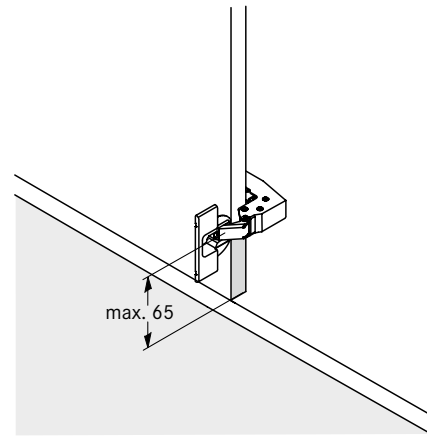
INSTALLATION INFORMATION FOR 110°/90A BLIND CORNER HINGE (OVERLAY)

Space requirement (drawing shows l/h application)

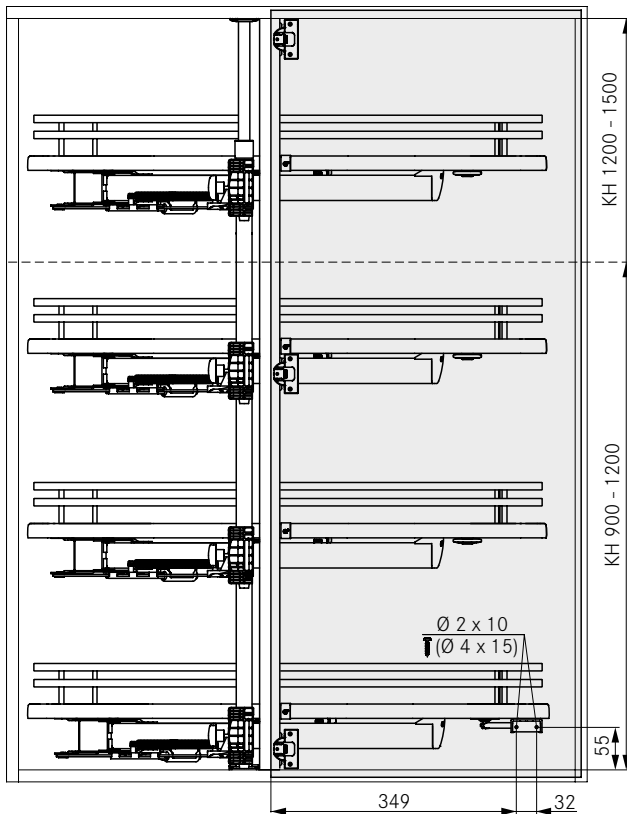


TYP	KB	TAM
450	900 (min. 880)	412-424
500	1000 (min. 930)	462-474
600	1200 (min. 1030)	562-574

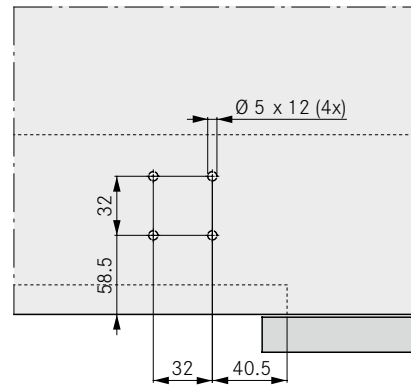
Hinge mounting



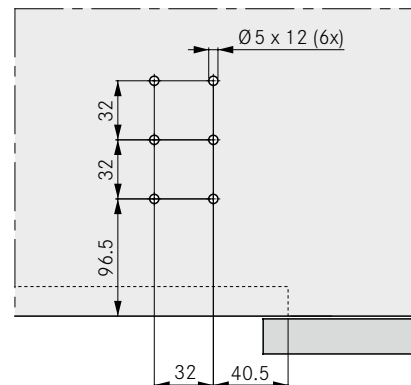
Door installation (drawing shows l/h application)



Top fixing of cross bar (drawing shows l/h application)



Fixing to cabinet base (drawing shows l/h application)



Important! The cabinet base and "top" cross bar must be drilled before assembly! Use Euro collar screw Ø 6.3 x 10.5

Quaturis S	14
Technical information	18

Assembly aids	26
---------------	----

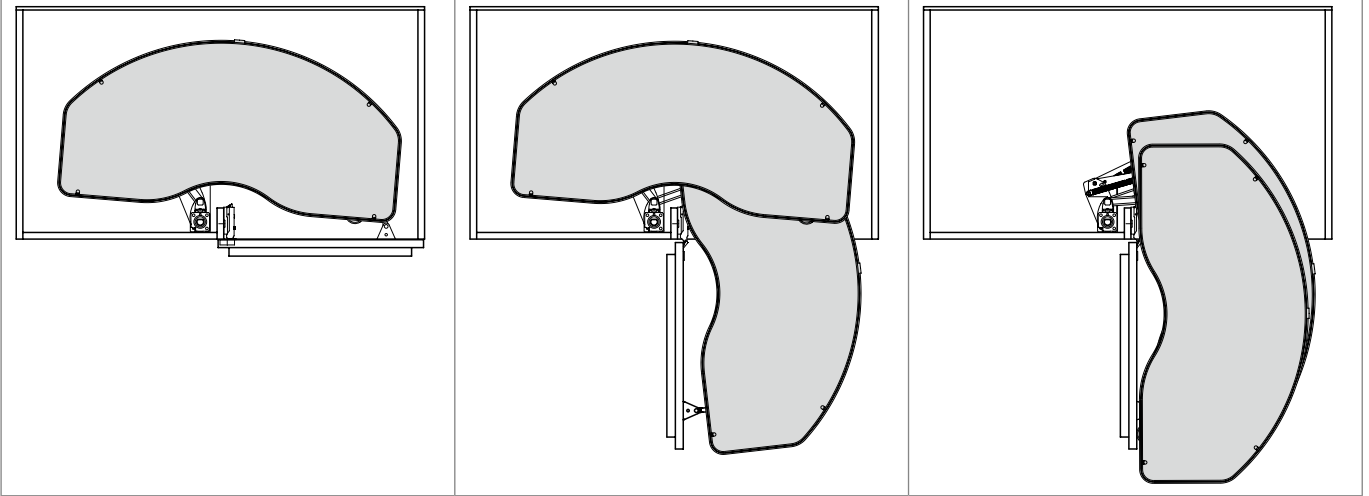
--	--

QUATURIS S

Technical information

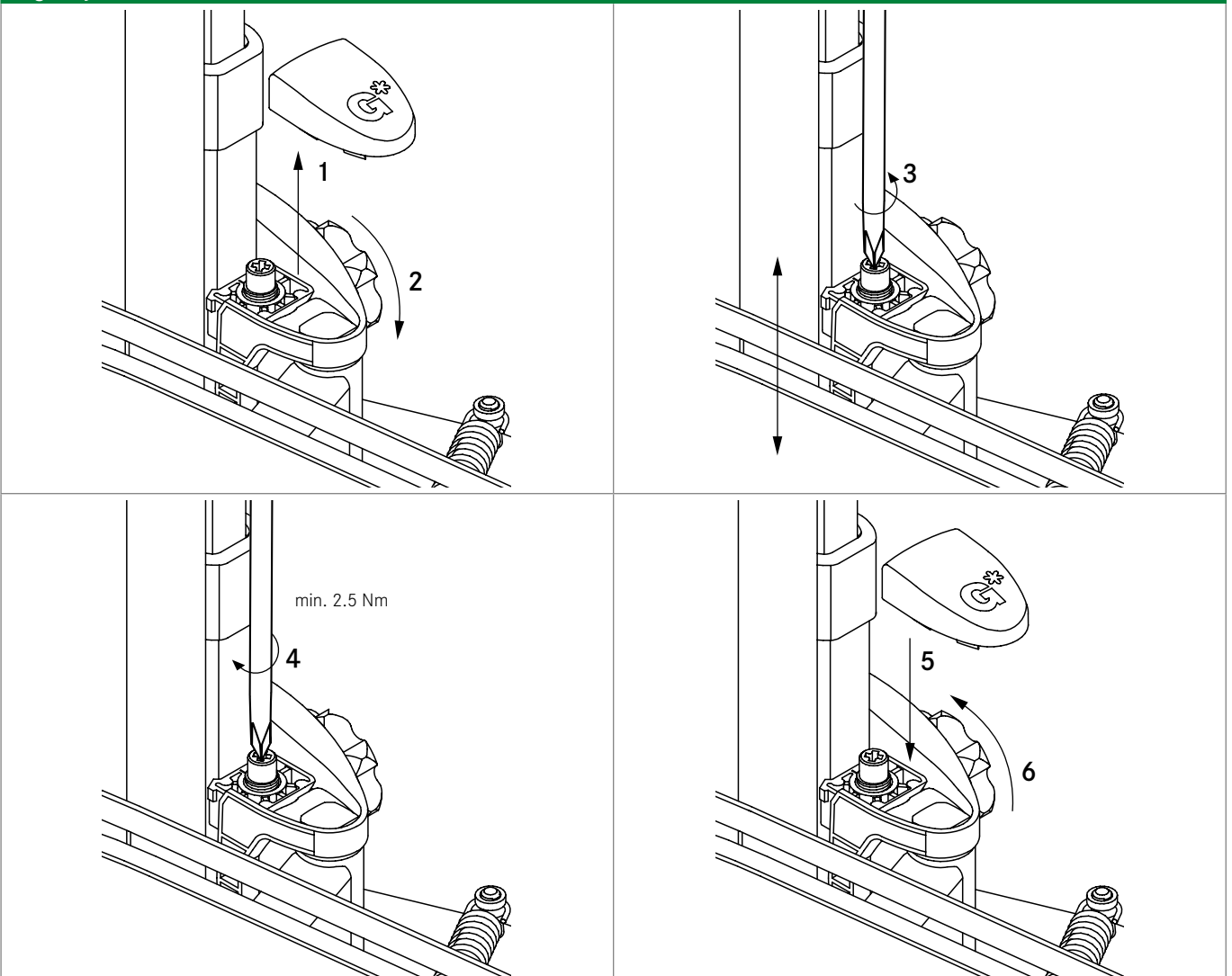
MOVEMENT SEQUENCE

Shelves



ADJUSTMENTS

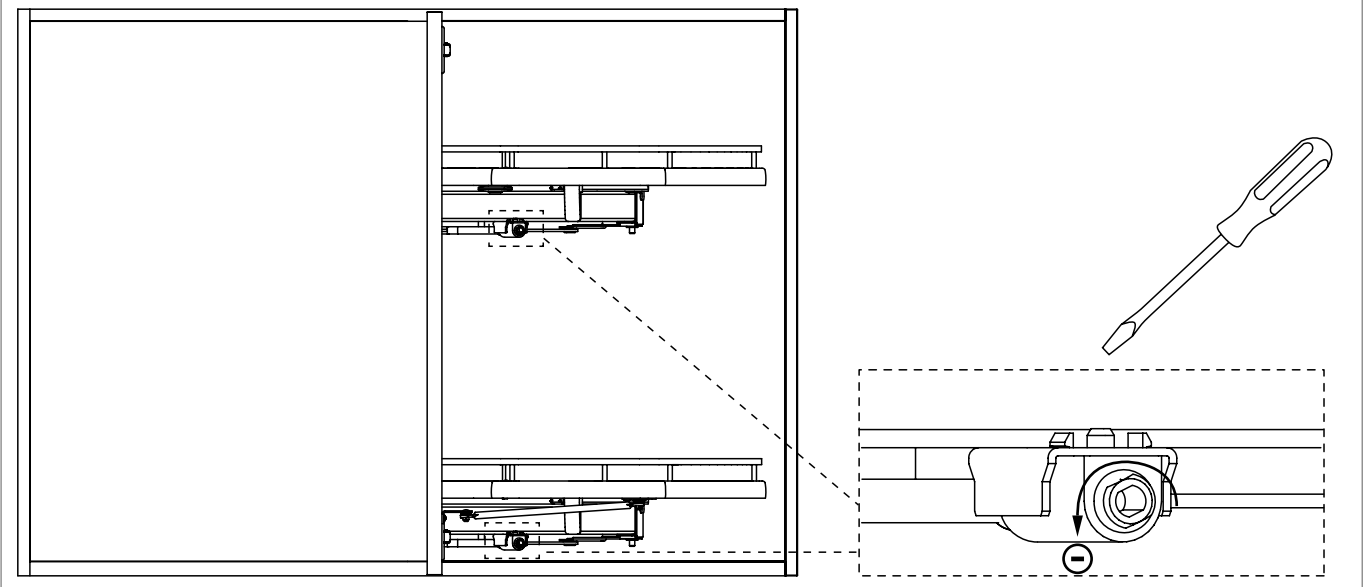
Height adjustment



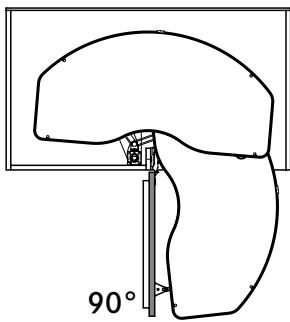
Quaturis S	14		
Assembly aids	26		

ADJUSTMENTS

Adjusting the shelf self-retracting damper

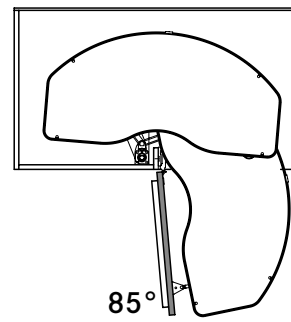


Adjusting the opening angle to 90°

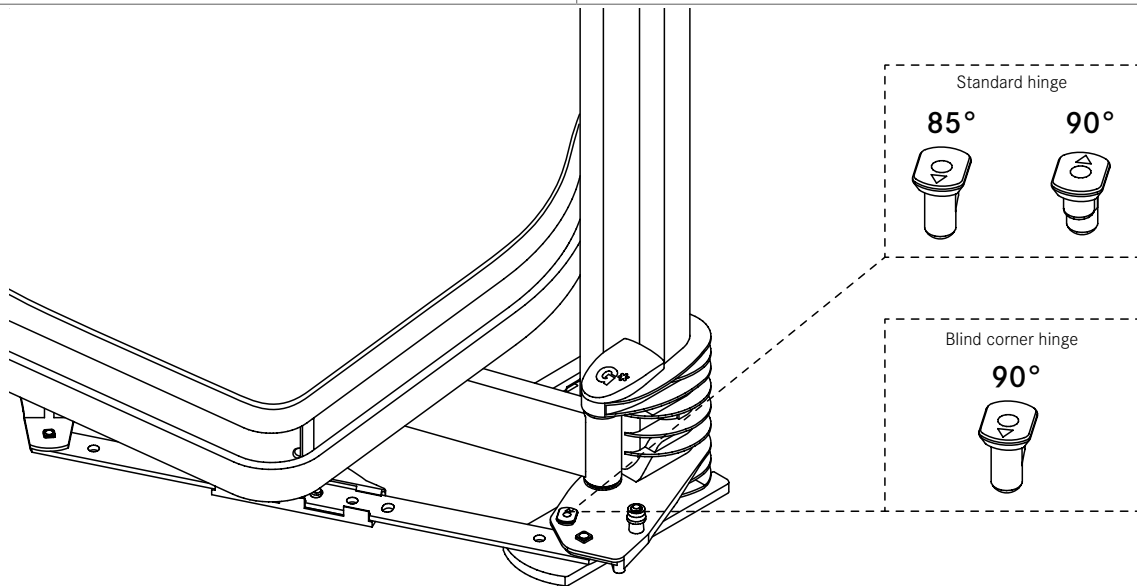


90°

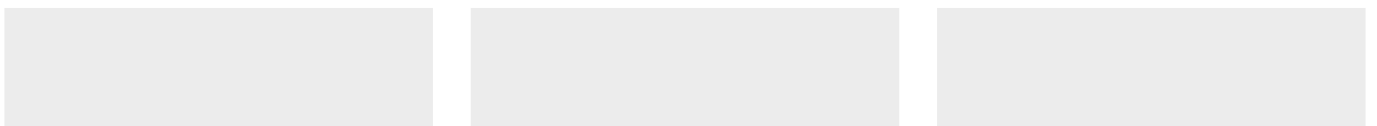
Adjusting the opening angle to 85°



85°

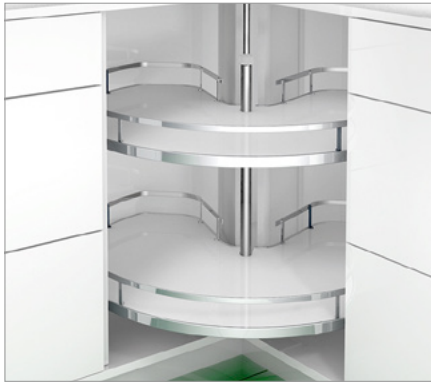


LEGEND



QUATURIS 71

For 90° corner cabinet solutions (with wooden or plastic shelves)



- Uniform door application with optimum stability for standard and frame doors
- Perfect reveal alignment through three-dimensional door adjustment (height, sides, depth)
- Integrated door lowering mechanism allows small reveals between door and worktop
- Outstanding movement and closing process with integrated, individually adjustable closing damper
- Easy straightforward installation
- Maintenance-free

- ¾ circular shelves made of wood, with chrome railing, 16 mm chipboard, grey and white
- ¾ circular shelves made of plastic, polystyrene grey, RAL 7004



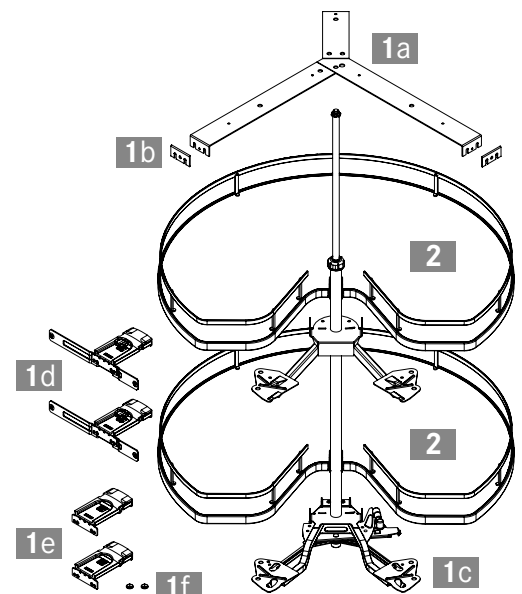
ORDER INFORMATION

1 Quaturis 71 corner cabinet pie-cut fitting set, consisting of items 1a (1x), 1b (2x), 1c (1x), 1d (2x), 1e (2x), 1f (2x)						
KB	LHK	TAM	Set	LTK	Art.-no.	
800	632 - 890	240	1	500	F154148233	
		250	2	510	F154148234	
		340	3	512	F154148235	
350		4	522	F154148236		
900						

2 Quaturis 71 wooden and plastic shelf set consisting of item 2 (2x)					
KB	Colour of shelf	Wooden shelf set	Plastic shelf set		
800	White	F154148244	-		
	Grey	F154148245	F154145810		
900	White	F154148246	-		
	Grey	F154148247	F154145814		

- 1 set includes:
- 1a Bearing cross (1x)
 - 1b Spacer plates (DP): 1 mm for 18 mm thick side walls (2x)
3 mm for 16 mm thick side walls (2x)
 - 1c Base fitting with telescopic tube and shelf bearers (1x)
 - 1d Top door bracket with frame door strap (2x)
 - 1e Bottom door bracket (2x)
 - 1f Transport protection caps (2x)
- Installation instructions and drilling templates (1x)

- 2 Wooden shelf with chrome railing (2 x) or plastic shelf, grey (2x)



Technical information	22				
Assembly aids	26				

INSTALLATION INFORMATION

Required space							Door installation									
Set	KB	S	TAM	LTK	LWK	TS	F1	F2	FB1	FB2	Z1	Z2	Z3			
Set 1	800	16	240	500	740-S	16-22	2-4	min. 2	230	236-TS-F1	63	31	171			
		18														
		19														
Set 2	800	16	250	510	760-S				16-22	2-4	min. 2	240	246-TS-F1	73	41	171
		18														
		19														
Set 3	900	16	340	512	852-S				16-22	2-4	min. 2	330	336-TS-F1	172	28	276
		18														
		19														
Set 4	900	16	350	522	872-S				16-22	2-4	min. 2	340	346-TS-F1	182	38	276
		18														
		19														

Attachment - cabinet base													Side attachment					
	Set 1			Set 2			Set 3			Set 4								
S	16	18	19	16	18	19	16	18	19	16	18	19		Y	Set 1	Set 2	Set 3	Set 4
X	363	361	360	373	371	370	422	420	419	432	430	429			100	90	100	90

LEGEND

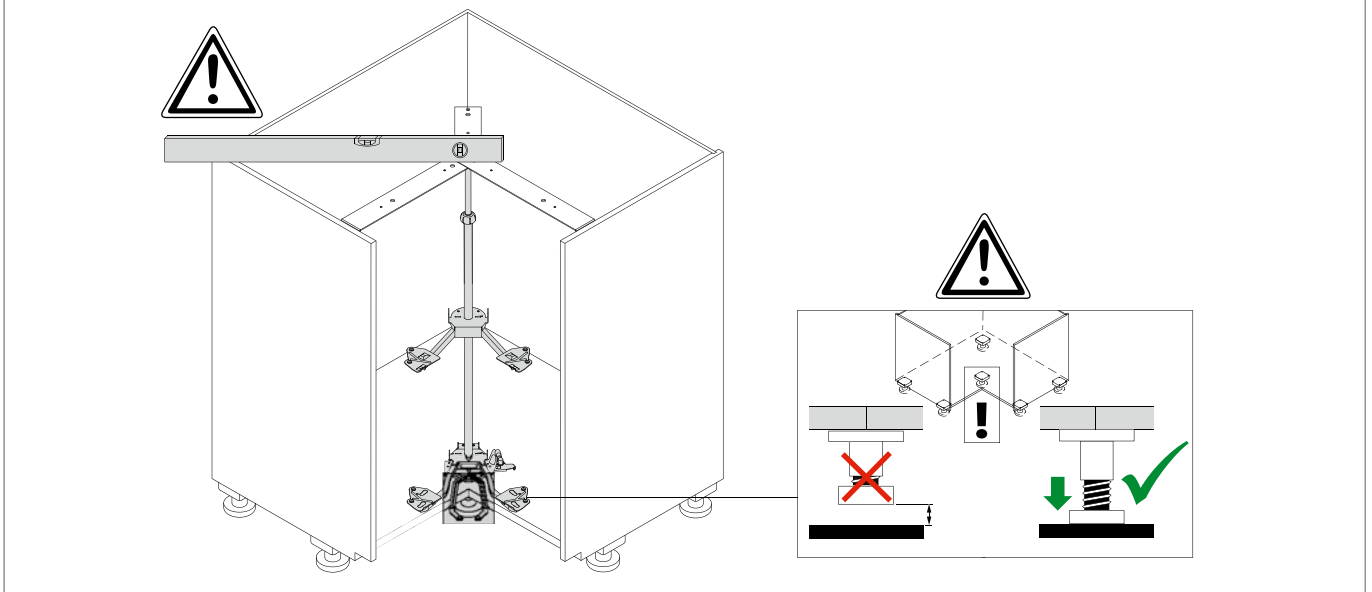
F	Gap	KH	Cabinet height	LWK	Inside cabinet width
FB	Front width	KUB	Cabinet base	S	Cabinet side wall
FH	Front height	LHK	Clear height - cabinet	TAM	Door cut-out dimension
KB	Cabinet width	LTK	Clear depth - cabinet	TS	Door thickness

QUATURIS 71

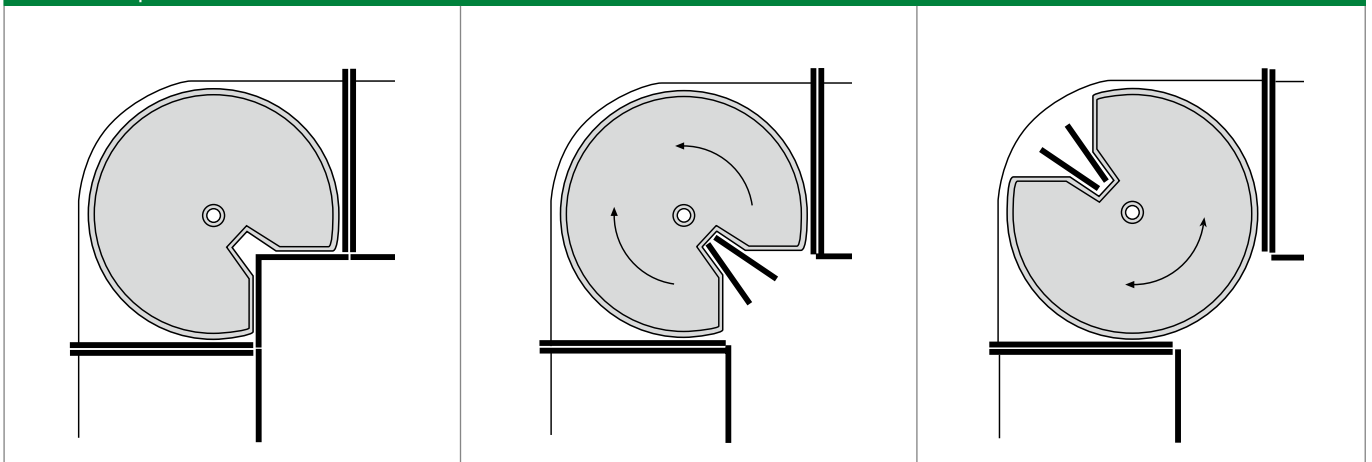
Technical information

INSTALLATION INSTRUCTIONS

Height adjustment of 6th cabinet leg



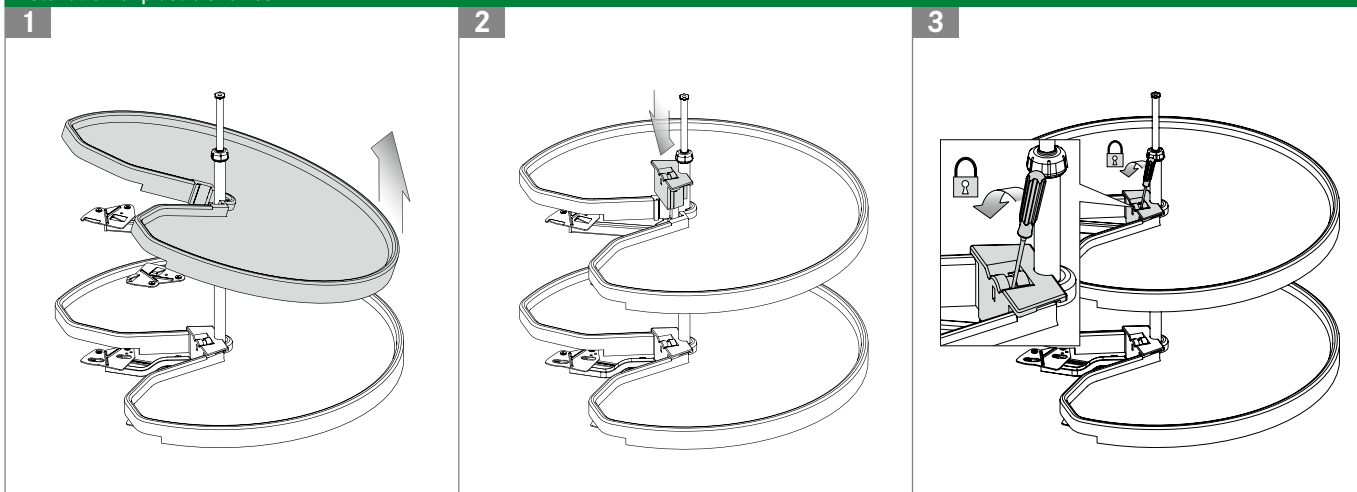
Movement sequence



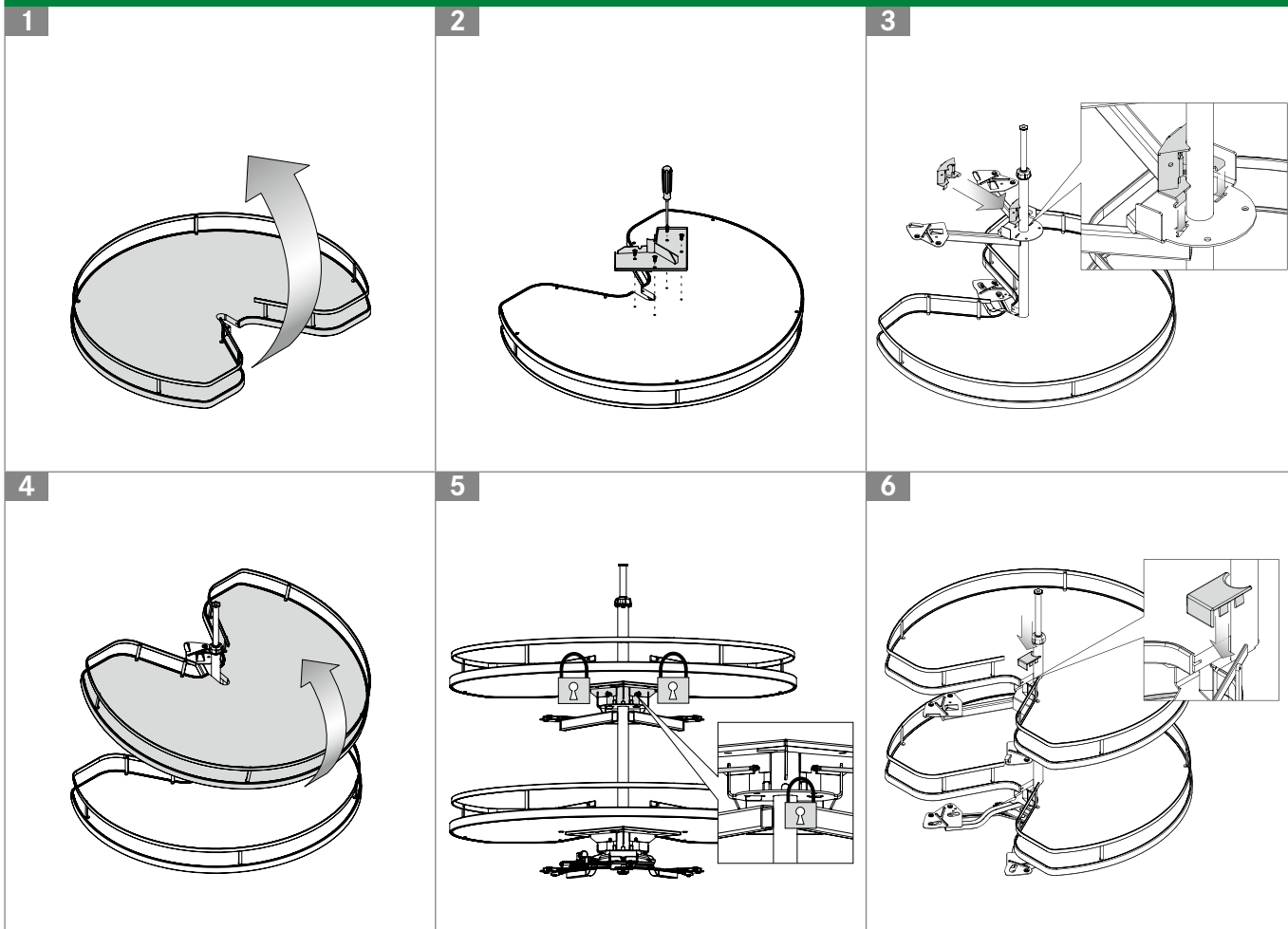
Quaturis 71	22
Assembly aids	26

INSTALLATION INSTRUCTIONS

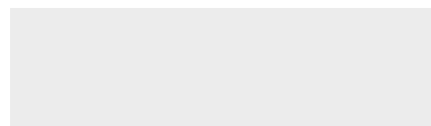
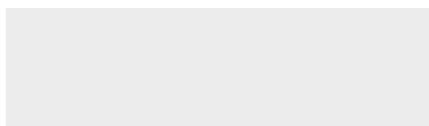
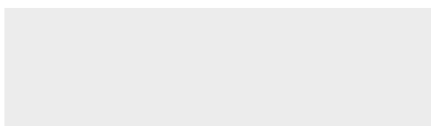
Installation of plastic shelves



Installation of wooden shelves



LEGEND

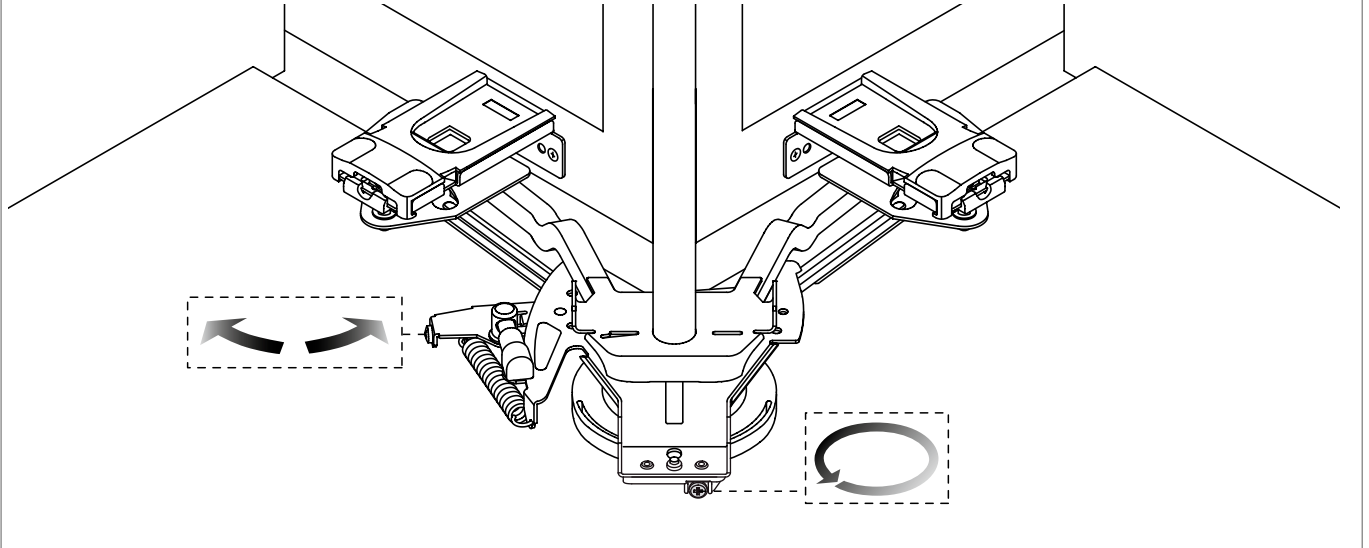


QUATURIS 71

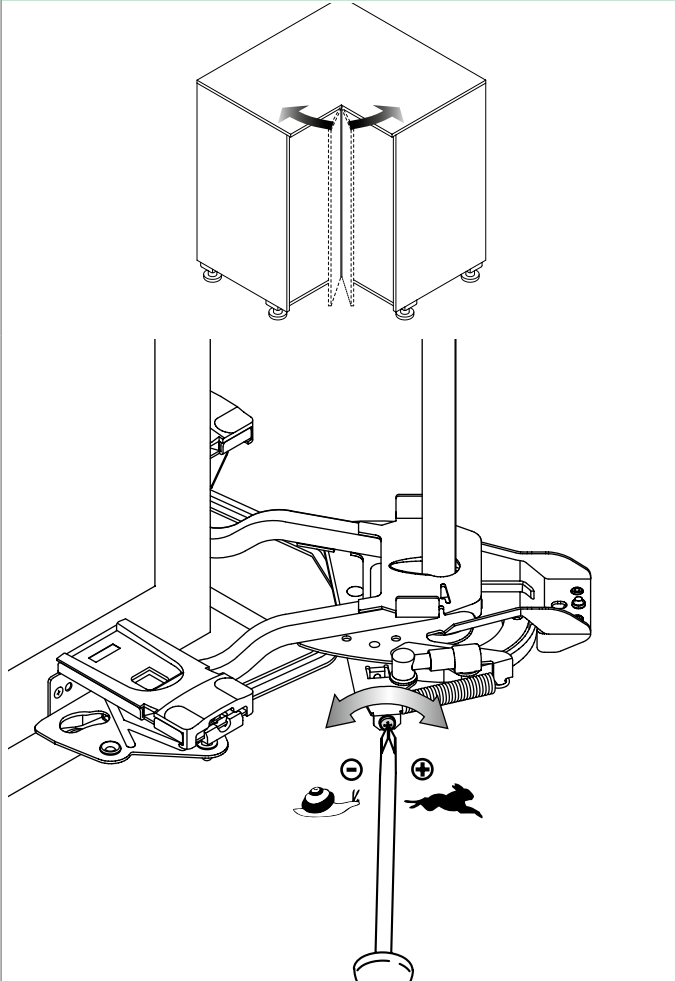
Technical information

ADJUSTMENTS

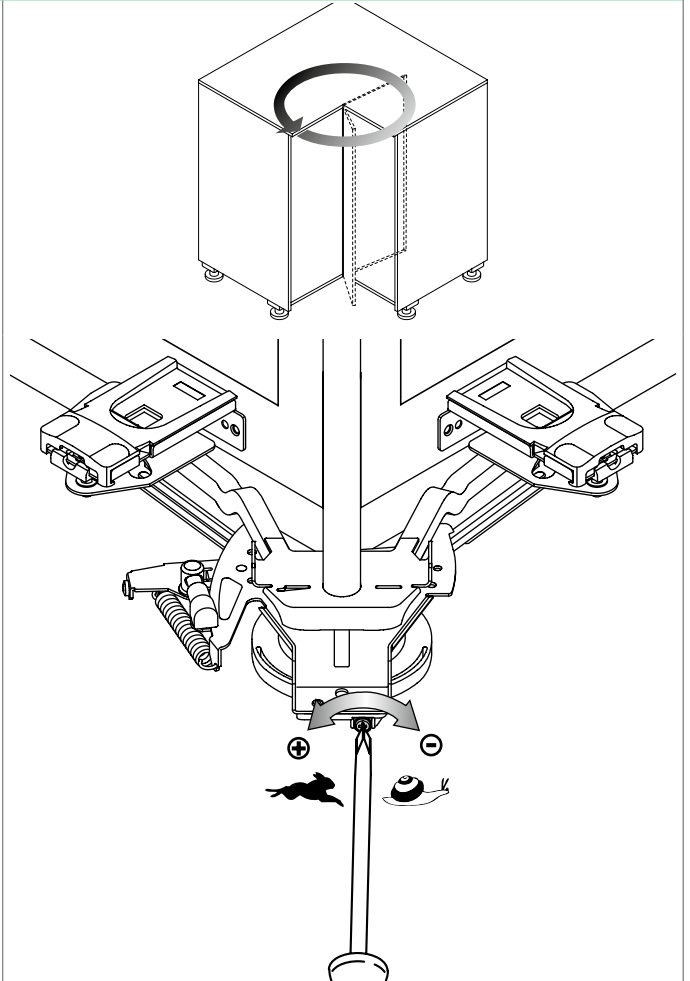
Adjusting the damper and closing speed



Closing speed of door

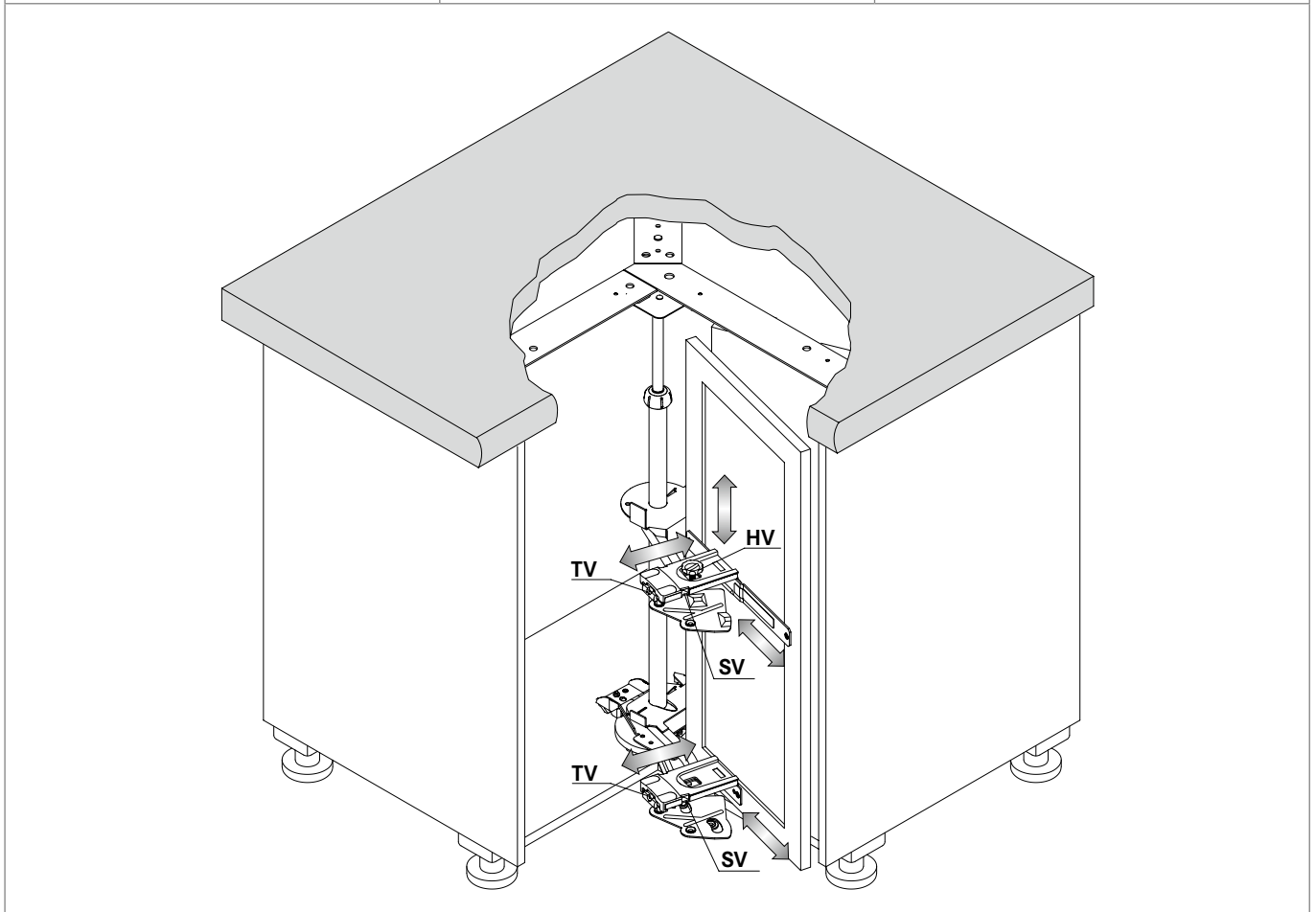
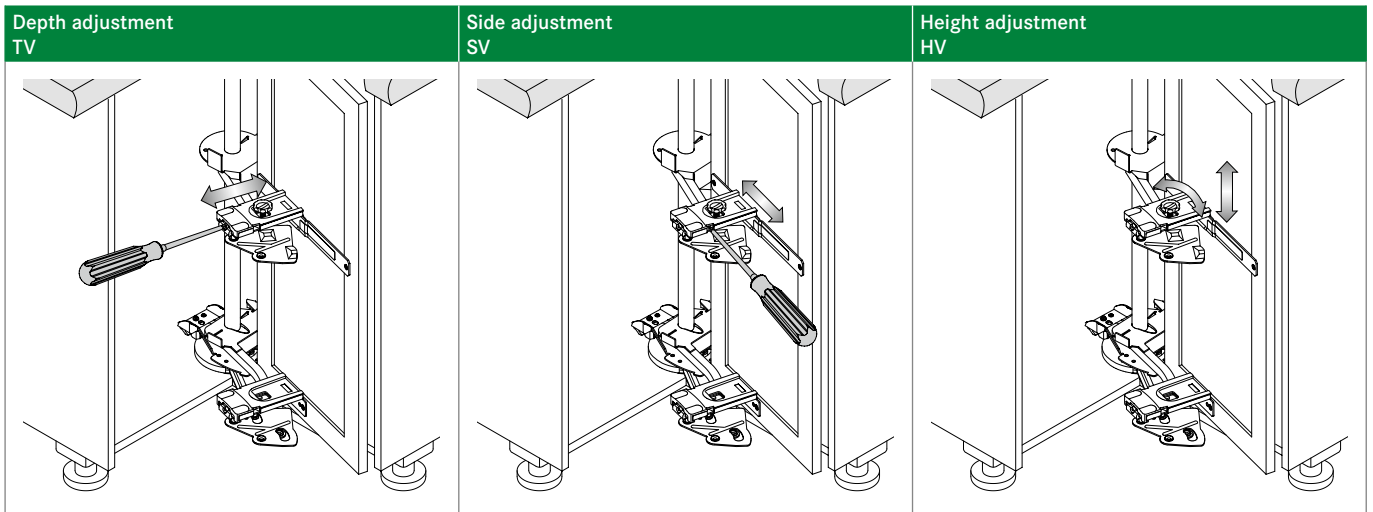


Damper for turning movement



Quaturis 71	22
Assembly aids	26

ADJUSTMENTS



LEGEND

- HV Height adjustment
- SV Side adjustment
- TV Depth adjustment

QUATURIS

Assembly aids

DRILL BIT Ø 5 MM WITH STOP RING



To be used for pre-drilling for Euro screws.

- Ø 5 mm
- with stop ring
- Length 75 mm

	Art.-no.
	F146092594

PILOT DRILL BIT



To be used for pre-drilling for countersink chipboard screws Ø 3.5 mm.

	Art.-no.
Pilot drill bit	F146035692
Spare drill bit Ø 2.7	F146090561

SCREWDRIVER



GRASS cross-head screwdriver (Pozidriv PZ2)

	Art.-no.
	F147010256

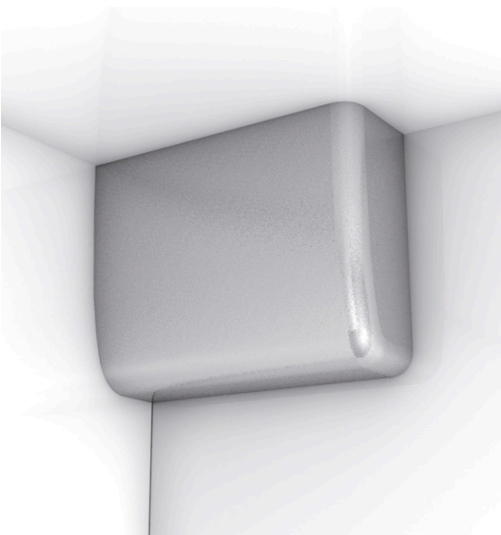
Quaturis L	8
Quaturis S	14

Quaturis 71	20



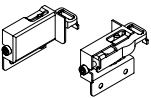
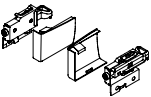
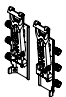
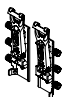
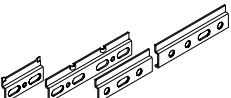
CABINET SUSPENSION FITTINGS

Small components with a huge effect.



CABINET SUSPENSION FITTINGS

Reliable fastening of
very heavy wall cabinets.

	Product description	Page
	Cabinet suspension fitting SH-26	30
	Cabinet suspension fitting SH-40	32
	Cabinet suspension fitting SH-63	34
	Cabinet suspension fitting SH-64	36
	Suspension rails	38

CABINET SUSPENSION FITTING SH-26

Load capacity 200 kg

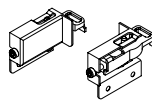


- Load capacity of up to 200 kg per wall cabinet as per DIN 68840
- Load capacity of up to 104 kg per wall cabinet as per DIN EN 15939
- Made completely of steel
- Bearing arm open
- Suitable for very heavy loads
- Surface finish: nickel-plated or white powder-coating
- Visible installation with low space requirements
- For steel rail, hook and wood rail suspension, with slip guard when suspended with hooks
- Screw fixing prevents accidental unscrewing
- Quick and precise adjustment using a cross-head screwdriver Pozidriv PZ2
- Automated installation possible

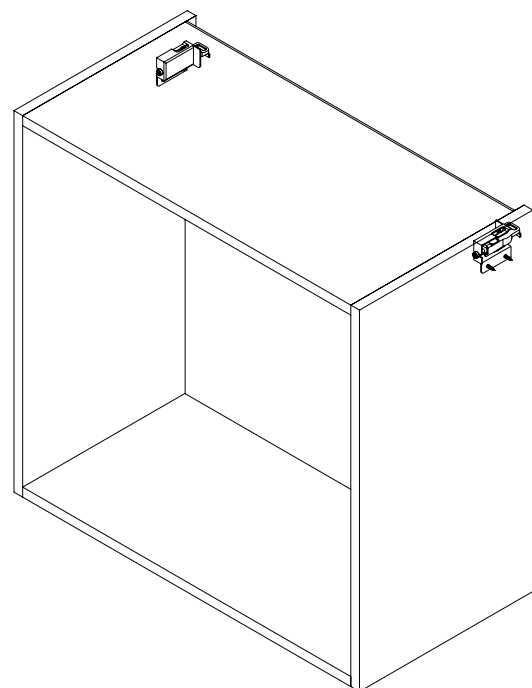
One set includes:

- Right-hand version (15x)
- Left-hand version (15x)

ORDER INFORMATION

Designation		White	Nickel-plated
Cabinet suspension fitting set SH-26 left/right		F155148254	F155148253

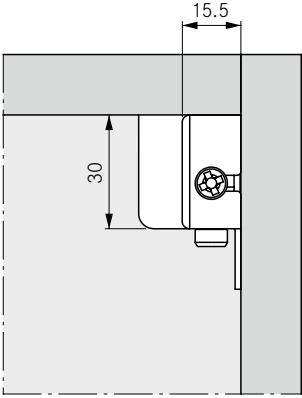
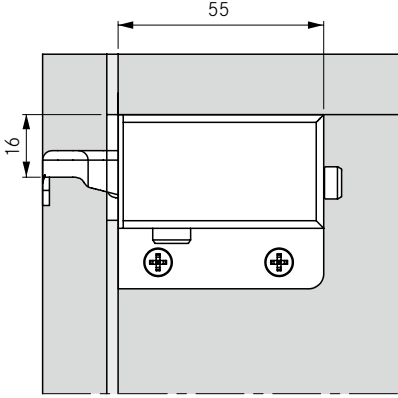
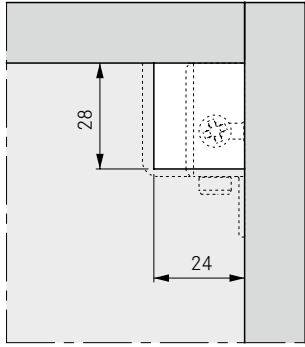
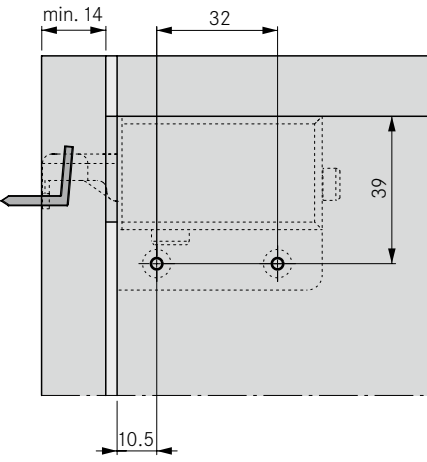
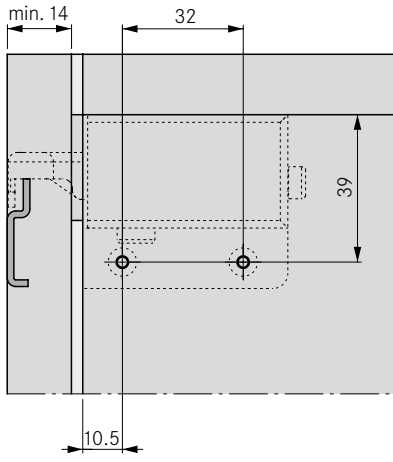

Fixing with chipboard screws only



Suspension rails	38

ASSEMBLY AND INSTALLATION INSTRUCTIONS

All dimensions in millimetres

Required space in the cabinet	Required space on the side wall	Back panel cut-out	
			
Fixture with hooks	Fixture with suspension rail	Notes	
		<ul style="list-style-type: none"> • Secure the wall cabinet against unintentional detachment • Use chipboard screws $\varnothing 4 \times 16$ for installation • The Pozidriv PZ2 cross-head screwdriver can be used at angles of up to $\pm 15^\circ$ 	
Adjustment range with max. 4 mm back wall thickness			
	Hook with $\varnothing 5$		GRASS suspension rail
Height adjustment	Downwards 9 mm	Upwards 7 mm	Downwards 9 mm Upwards 7 mm
Side adjustment	To the left 3 mm	To the right 3 mm	To the left 9 mm To the right 9 mm
Depth adjustment (with 14 mm clear space)	To the rear 7 mm	To the front 7 mm	To the rear 7 mm To the front 7 mm

NOTES



CABINET SUSPENSION FITTING SH-40

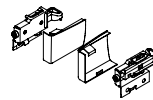
Load capacity 130 kg



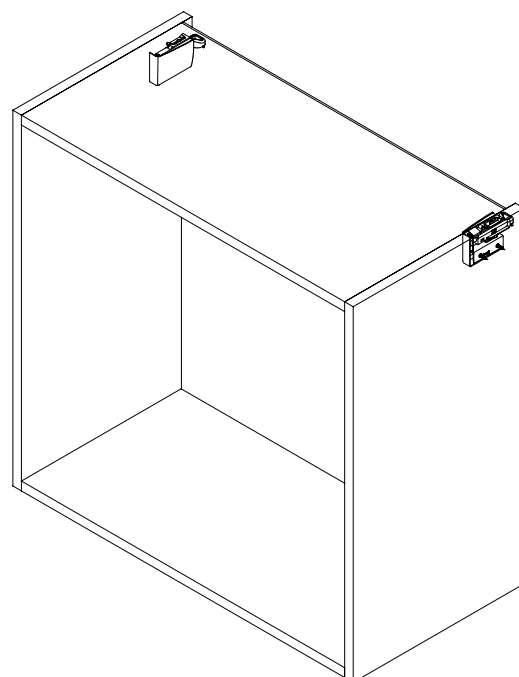
- Load capacity of up to 130 kg per wall cabinet as per DIN 68840
 - Load capacity of up to 92 kg per wall cabinet as per DIN EN 15939
 - Made completely of steel, anti-corrosion zinc coating
 - Bearing arm open
 - Suitable for very heavy loads
 - Visible installation with low space requirements
 - For steel rail, hook and wood rail suspension, with slip guard when suspended with hooks
 - Screw fixing prevents accidental unscrewing
 - Quick and precise adjustment using a cross-head screwdriver Pozidriv PZ2
 - Automated installation possible
 - Cover caps in two colours
- One set includes:**
- Right-hand version (15x)
 - Left-hand version (15x)
 - Cover caps white or metallic silver (30x)

ORDER INFORMATION

Designation	Cover caps	
	White	Metallic silver
Cabinet suspension fitting set SH-40 left/right including cover caps	F155145202	F155145203



Fixing with chipboard screws only



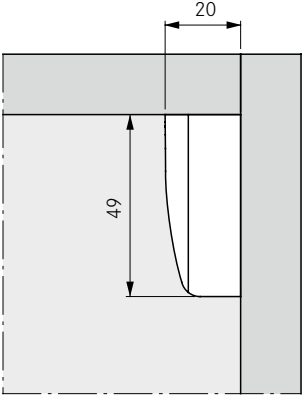
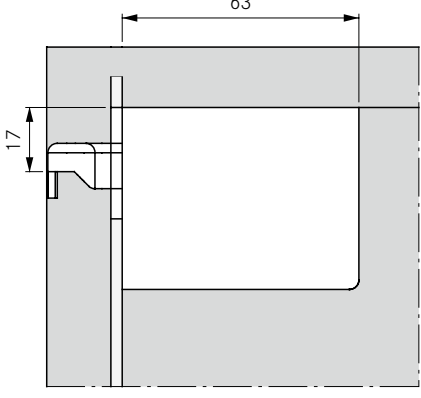
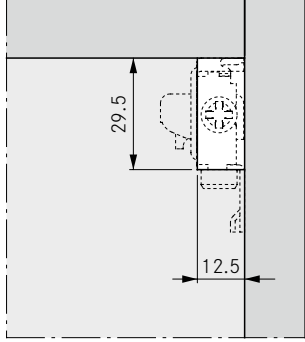
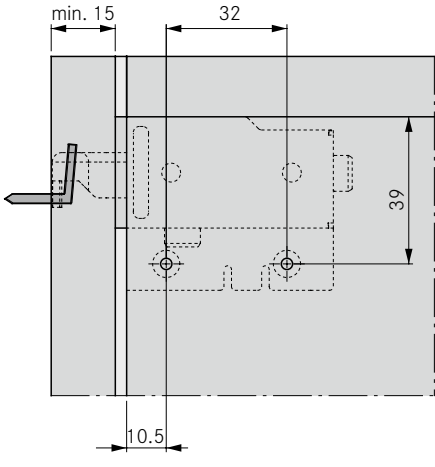
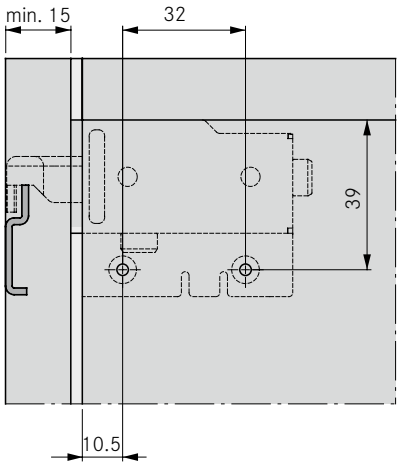
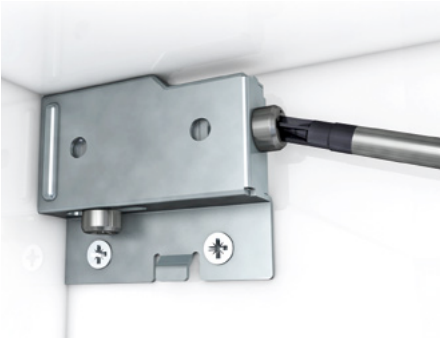
Suspension rails	38
------------------	----

--	--

--	--

ASSEMBLY AND INSTALLATION INSTRUCTIONS

All dimensions in millimetres

Required space in the cabinet	Required space on the side wall	Back panel cut-out	
			
Fixture with hooks	Fixture with suspension rail	Notes	
		<ul style="list-style-type: none"> • Secure the wall cabinet against unintentional detachment • Use chipboard screws $\varnothing 4 \times 16$ for installation • The Pozidriv PZ2 cross-head screwdriver can be used at an angle of up to $\pm 15^\circ$ 	
Adjustment range with max. 4 mm back wall thickness			
	Hook with $\varnothing 5$		GRASS suspension rail
Height adjustment	Downwards 10 mm	Upwards 8 mm	Downwards 10 mm Upwards 8 mm
Side adjustment	To the left 2.5 mm	To the right 2.5 mm	To the left 9 mm To the right 9 mm
Depth adjustment (with clear space of 15 mm)	To the rear 7 mm	To the front 7 mm	To the rear 7 mm To the front 7 mm

NOTES



CABINET SUSPENSION FITTING SH-63

Load capacity 130/184 kg – offset bearing arm

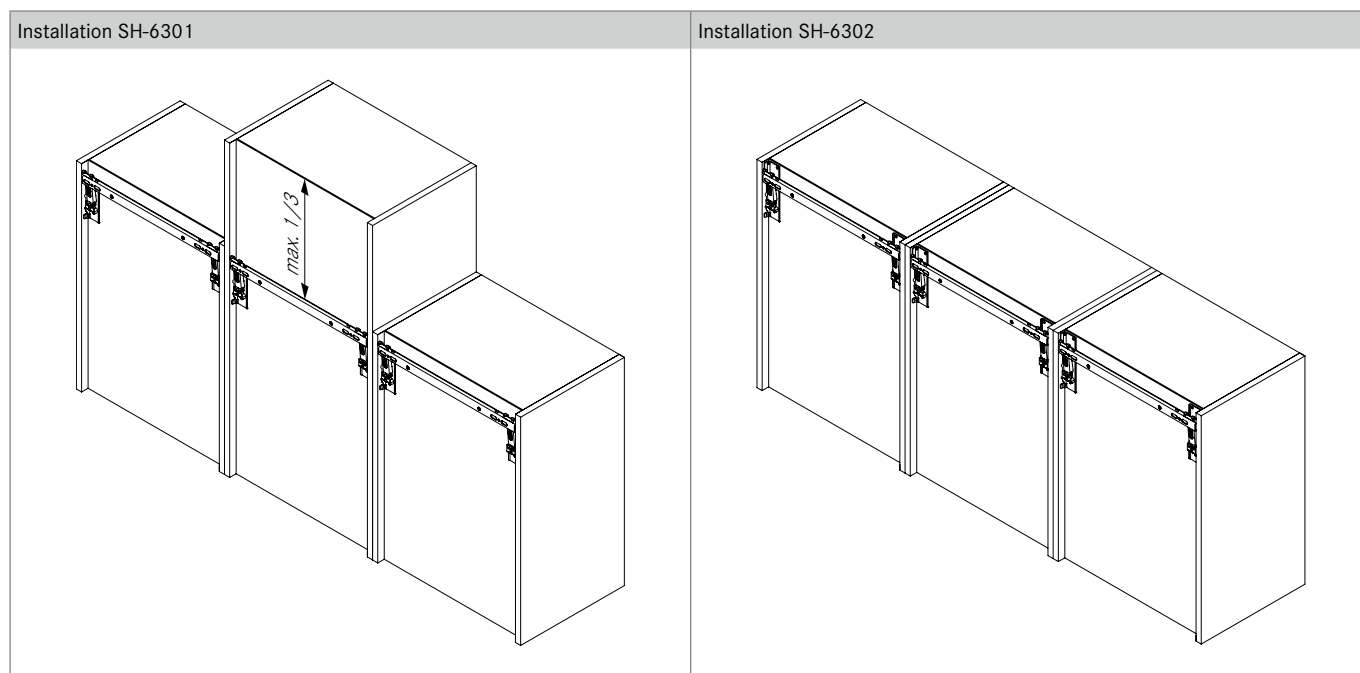


- SH6301: Load capacity of up to 130 kg per wall cabinet as per DIN EN 15939
 - SH6302: Load capacity of up to 184 kg per wall cabinet as per DIN EN 15939
 - Offset bearing arm – safe clamping with small spaces
 - Concealed installation independent of the top cabinet panel
 - If SH-6302 is used, additional fixing on top panel possible
 - Suitable for steel rails and wall hooks
 - Load distribution on 3 mounting studs and chipboard screws
 - Small space requirement of only 16 mm behind the back panel
 - Automated installation possible
 - With spacer for safe rail suspension
 - Cover caps for back panel in two colours
- One set includes:**
- Right-hand version (15x)
 - Left-hand version (15x)
 - Cover caps white or nickel-plated (60x)

ORDER INFORMATION

Designation	Adjustment tool	Cover caps	
		White	Nickel-plated
Cabinet suspension fitting set SH-6301 with short base plate, offset bearing arm, left/right including cover caps	Pozidriv PZ2	F155145206	F155145207
	Torx 25	F155148312	F155148313
	Allen key SW4	F155148314	F155148315
Cabinet suspension fitting set SH-6302 with long base plate for additional fixing at the top panel, offset bearing arm, left/right incl. cover caps, transport protection for suspension rail	Pozidriv PZ2	F155147983	F155147984
	Torx 25	F155148316	F155148317
	Allen key SW4	F155148318	F155148319

ASSEMBLY AND INSTALLATION INSTRUCTIONS



Suspension rails 38

ASSEMBLY AND INSTALLATION INSTRUCTIONS

All dimensions in millimetres

Space requirements for SH-6301		Fixing with hooks or suspension rail for SH-6301	
		Hook adjustment range	Suspension rail adjustment range
Height adjustment		± 7.5 mm	± 7.5 mm
Side adjustment		± 4 mm (with 6 mm hook width)	± 8 mm
Depth adjustment (with 16 mm space)		To the rear 4 mm	To the rear 4 mm
		To the front 11 mm	To the front 11 mm

Space requirements for SH-6302		Fixing with hooks or suspension rail for SH-6302	
		Hook adjustment range	Suspension rail adjustment range
Height adjustment		± 7.5 mm	± 7.5 mm
Side adjustment		± 4 mm (with 6 mm hook width)	± 8 mm
Depth adjustment (with 16 mm space)		To the rear 4 mm	To the rear 4 mm
		To the front 11 mm	To the front 11 mm

NOTES



CABINET SUSPENSION FITTING SH-64

Load capacity 130/184 kg – offset bearing arm incl. tool-free safety lock



- SH6401: Load capacity of up to 130 kg per wall cabinet as per DIN EN 15939
 - SH6402: Load capacity of up to 184 kg per wall cabinet as per DIN EN 15939
 - Offset bearing arm
 - Including tool-free safety lock
 - Concealed installation independent of the top cabinet panel
 - If SH-6402 is used, additional fixing on top panel possible
 - Suitable for GRASS suspension rail and wall hook
 - Load distribution on 3 mounting studs and chipboard screws
 - Low space requirements of only 16 mm behind the back panel
 - Automated installation possible
 - With spacer for safe rail suspension
 - Cover caps for back panel in two colours
- One set includes:**
- Right-hand version (15x)
 - Left-hand version (15x)
 - Cover caps white or nickel-plated (60x)

ORDER INFORMATION

Designation	Adjustment tool	Cover caps	
		White	Nickel-plated
Cabinet suspension fitting set SH-6401 with short base plate, with safety lock, offset bearing arm, left/right incl. cover caps	Pozidriv PZ2	F155 147965	F155 147966
	Torx 25	F155 148320	F155 148321
	Allen key SW4	F155 148322	F155 148323
Cabinet suspension fitting set SH-6402 with long base plate for additional fixing to the top panel with safety lock, offset bearing arm, left/right, incl. cover caps, transport protection for suspension rail	Pozidriv PZ2	F155 147967	F155 147968
	Torx 25	F155 148324	F155 148325
	Allen key SW4	F155 148326	F155 148327

ASSEMBLY AND INSTALLATION INSTRUCTIONS

<p>Installation of SH-6401</p>	<p>Installation of SH-6402</p>	
<p>Installation of SH-64 with safety lock ¹</p> <p>Before hanging the cabinet: Fully extend bearing arm outwards</p>	<p>Hook-in adjustment</p>	<p>Depth adjustment with effective safety lock ¹</p>

¹ When using the GRASS suspension rail

Suspension rails	38				
------------------	----	--	--	--	--

ASSEMBLY AND INSTALLATION INSTRUCTIONS

All dimensions in millimetres

Space requirements for SH-6401		Fixing with hooks or suspension rail for SH-6401	
		Hook adjustment range	Suspension rail adjustment range
Height adjustment		± 7.5 mm	± 7.5 mm
Side adjustment		± 4 mm (with 6 mm hook width)	± 8 mm
Depth adjustment (with 16 mm space)		To the rear 4 mm	To the rear 4 mm
		To the front 11 mm	To the front 11 mm

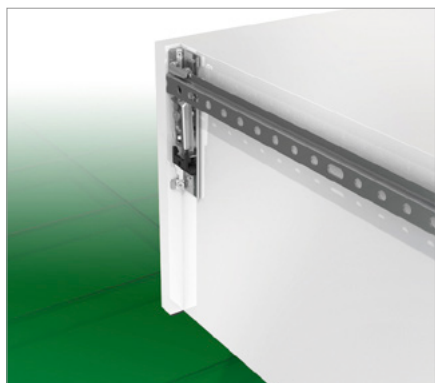
Space requirements for SH-6402		Fixing with hooks or suspension rail for SH-6402	
		Hook adjustment range	Suspension rail adjustment range
Height adjustment		± 7.5 mm	± 7.5 mm
Side adjustment		± 4 mm (with 6 mm hook width)	± 8 mm
Depth adjustment (with 16 mm space)		To the rear 4 mm	To the rear 4 mm
		To the front 11 mm	To the front 11 mm

NOTES



SUSPENSION RAILS

For cabinet suspension fittings



- Safe wall fixing
- Surface zinc-coated
- Profile thickness 1.75 mm

One set includes:

- Suspension rail type 1 (10x)
- Suspension rail type 2+3 (30x)

ORDER INFORMATION

	Length	Art.-no.
Suspension rail type 1, with round holes and slots for cabinet suspension fittings	2500	F155146852
Suspension rail type 2, with slip guard (embossing) for concealed cabinet suspension fittings SH-62, SH-63, SH-64	125	F155145208
Suspension rail type 3, with slip guard for visible cabinet suspension fitting SH-25 and SH-40	58	F155145209

For fixing use screw with a 13 mm head (5.5 x 60) as well as a suitable masonry dowel.
Fixing lengths upon request.

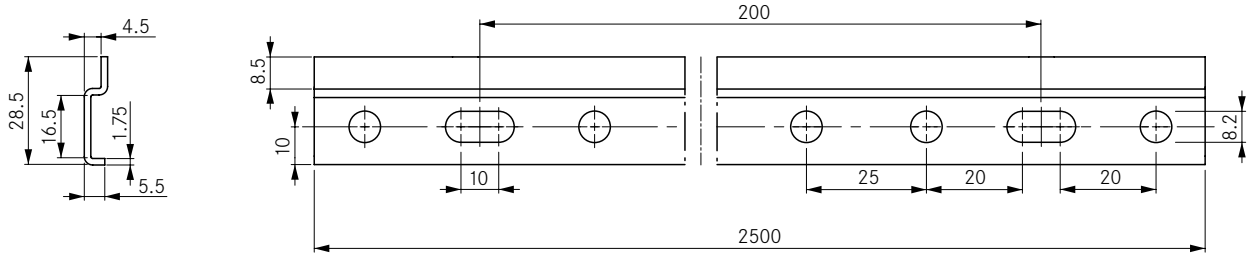
Cabinet suspension fitting SH-26	30
Cabinet suspension fitting SH-40	32

Cabinet suspension fitting SH-63	34
Cabinet suspension fitting SH-64	36

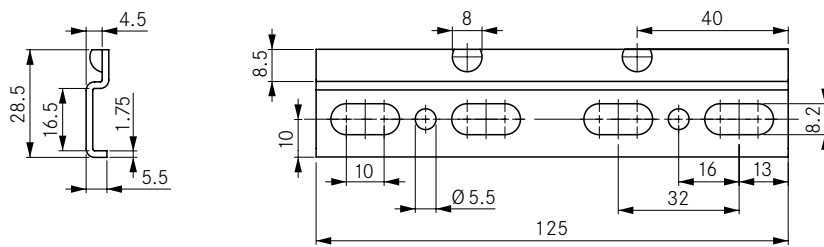
ASSEMBLY AND INSTALLATION INSTRUCTIONS

All dimensions in millimetres

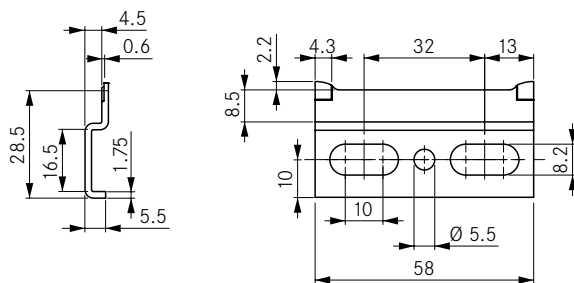
Suspension rail type 1



Suspension rail type 2



Suspension rail type 3



ART.-NO. INDEX

Art.-no. F / Art.-no., old

Art.-no. F	Art.-no., old	PU	Page
------------	---------------	----	------

F146

F146035692299	35692	1	26
F146090561299	90561	1	26
F146092594501	92594	1	26

F147

F147010256299	10256-00	1	26
---------------	----------	---	----

F154

F154145810201	-	1	20
F154145814201	-	1	20
F154148027201	-	1	14
F154148028201	-	1	14
F154148029201	-	1	14
F154148030201	-	1	14
F154148192202	-	2	8
F154148193202	-	2	8
F154148194202	-	2	8
F154148195202	-	2	8
F154148196202	-	2	8
F154148197202	-	2	8
F154148198202	-	2	8
F154148199202	-	2	8
F154148200202	-	2	8
F154148201202	-	2	8
F154148202202	-	2	8
F154148203202	-	2	8
F154148204202	-	2	8
F154148205202	-	2	8
F154148206202	-	2	8
F154148207202	-	2	8
F154148208202	-	2	8
F154148209202	-	2	8
F154148221201	-	1	8
F154148223201	-	1	8
F154148225201	-	1	8
F154148227201	-	1	8
F154148233201	-	1	20
F154148234201	-	1	20
F154148235201	-	1	20
F154148236201	-	1	20
F154148244202	-	2	20
F154148245202	-	2	20
F154148246202	-	2	20
F154148247202	-	2	20
F154148279202	-	2	8
F154148280202	-	2	8
F154148281202	-	2	8

F155

F155145202210	-	15	32
F155145203210	-	15	32
F155145206210	-	15	34
F155145207210	-	15	34
F155145208514	-	30	38
F155145209514	-	30	38
F155146852807	-	10	38
F155147965210	-	15	36
F155147966210	-	15	36
F155147967210	-	15	36
F155147968210	-	15	36
F155147983210	-	15	34
F155147984210	-	15	34
F155148253210	-	15	30

Art.-no. F	Art.-no., old	PU	Page
------------	---------------	----	------

F155148254210	-	15	30
F155148312210	-	15	34
F155148313210	-	15	34
F155148314210	-	15	34
F155148315210	-	15	34
F155148316210	-	15	34
F155148317210	-	15	34
F155148318210	-	15	34
F155148319210	-	15	34
F155148320210	-	15	36
F155148321210	-	15	36
F155148322210	-	15	36
F155148323210	-	15	36
F155148324210	-	15	36
F155148325210	-	15	36
F155148326210	-	15	36
F155148327210	-	15	36

ART.-NO. INDEX

Art.-no., old / Art.-no. F

Art.-no., old	Art.-no. F	PU	Page
---------------	------------	----	------

10

10256-00	F147010256299	1	21
----------	---------------	---	----

35

35692	F146035692299	1	21
-------	---------------	---	----

90

90561	F146090561299	1	21
-------	---------------	---	----

92

92594	F146092594501	1	21
-------	---------------	---	----

LEGEND

PU code	Number (piece, pair, set)
201	1
202	2
210	15
299	1
501	1
514	30
807	10



A series of horizontal lines for writing, consisting of 30 evenly spaced lines across the page.



GRASS GmbH
Movement Systems
Grass Platz 1
6973 Höchst, Austria
Phone: +43 (0) 5578 701-0
Fax: +43 (0) 5578 701-59
E-mail: info@grass.eu

Your contact:



www.grass.eu