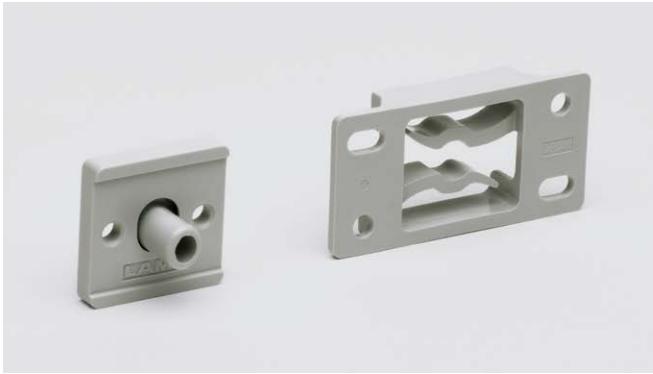


TWO-WAY CATCH FOR SLIDES



JC-30TW



Features

- Holds a slide in position from both directions.
- Retaining force can be adjusted by rotating the strike.
- Designed to be used with a two-way travel slide, holding it in the center.
- Can be used with slides between 19 and 21 mm in thickness.

Applications

- A two-way travel slide to hold in the center.
- A one-way travel slide to hold in open or closed position.
- A one-way travel slide to hold in the middle.

Remarks

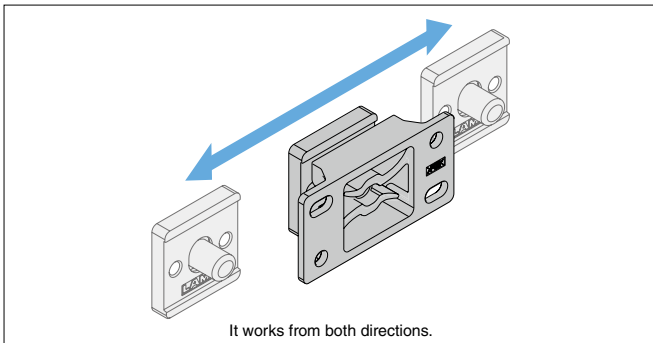
- Should be used with slides.
- It is recommended to use one per slide.
- Retaining force may vary. Please check actual performance with an actual product.

Parts Included

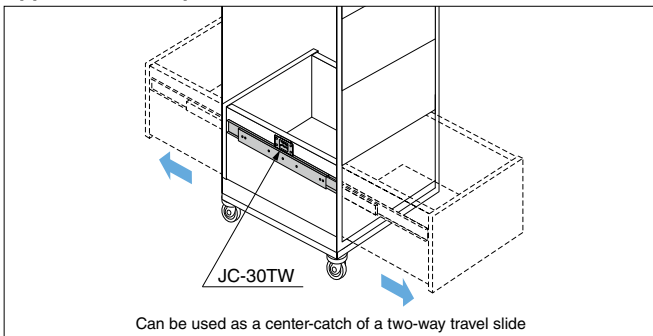
- Truss head tapping tapping screw 4 x 16

Recommended Screw

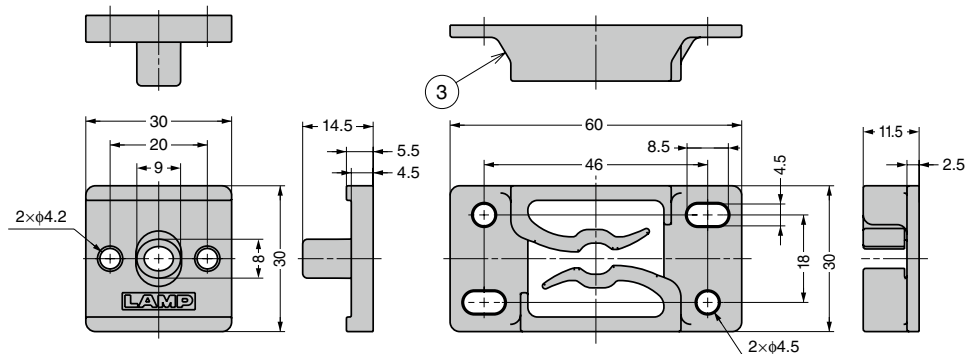
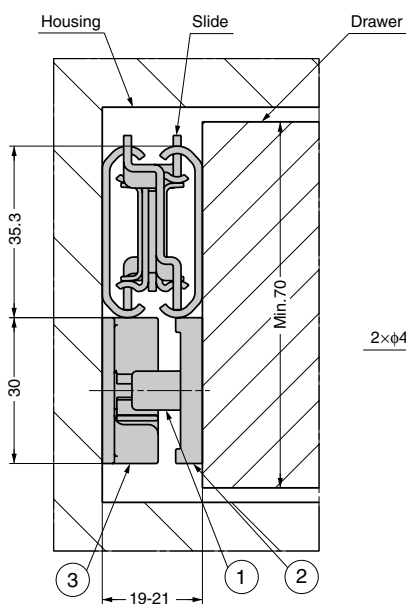
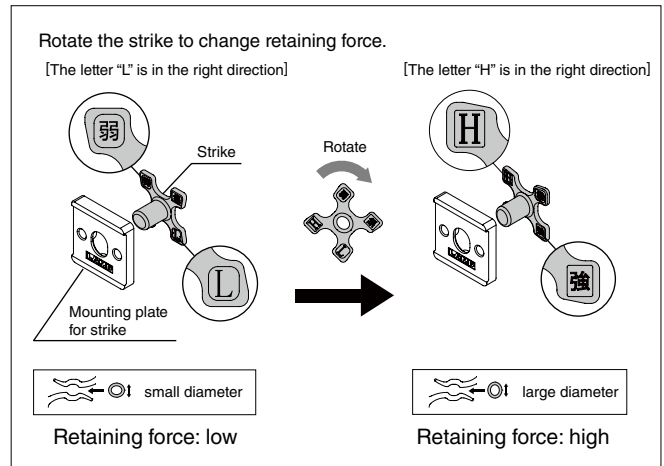
- M4 binding head screw, M4 truss head screw



Application Example



Adjusting Retaining Force



No.	Part Name	Material	Finish / Colour
①	Strike	Polyamide (PA)	Grey
②	Mounting plate for strike	POM	Grey
③	Strike plate	POM	Grey

CAD	Item Code	Item Name	Push-in Force N		Push-in Force kgf		Pulling Force N		Pulling Force kgf		Weight (g)	Box (pcs)	Carton (pcs)
			Low	High	Low	High	Low	High	Low	High			
203D	140-041-094	JC-30TW	18.5	27.9	1.9	2.8	32.6	65.9	3.3	6.7	12.4	30	300