


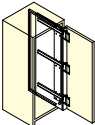








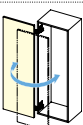

WARDROBE & CABINET DOOR HARDWARE






POCKET DOOR SYSTEMS

Picture	Item Name	Door Weight (kg)	Page
	ALT-2V-220 (INSET)	5 - 10	602 - 607
	ALT-2V-5 (OVERLAY)	5 - 10	608 - 613
	ALT-F (INSET, FOLDING)	10	614 - 615
	TSSL-2V (INSET)	20	616 - 617

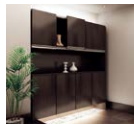


FLUSH / LATERAL OPENING DOOR SYSTEMS

Picture	Item Name	Door Weight (kg)	Page
	FAD-5	5	632
	LIN-X450, 600	17, 24	624 - 628
	FAD-20	20	633
	MFU-1000	30	622 - 623
	FAD-44	35	634 - 635
	FAD-54 (PARTITION)	35	636 - 637
	LIN-X800, LIN-X800H NEW	40	601-1 - 601-2
	LIN-X1000	90	629 - 631

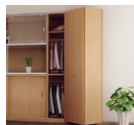


SLIDING DOOR SYSTEMS




















Picture	Item Name	Door Weight (kg)	Page
	ASDF-1	4	643
	OX	5	638 - 639
	XL-GC FOR GLASS DOORS	12	640 - 642











MULTIPLE MOTION DOOR SYSTEMS

Picture	Item Name	Door Weight (kg)	Page
	MFS-W	1.5 - 6.8	618 - 619
	MFS-G FOR GLASS DOORS	1.5 - 6.7	620 - 621
	RB-600 STAINLESS 304 STEEL Load Capacity (kgf): 75.5		650 - 651

FOLDING DOOR SYSTEMS

Picture	Item Name	Door Weight (kg)	Page
	KF28	7	644 - 645
	FD30-F	15	646 - 649
	SFD	8	649-1 - 649-2

HANGERS			
Picture	Item Name	Load Capacity (kgf)	Page
	TAW	7 - 8	653
	TAS	4 - 5	653
	TAT	4 - 5	654
	UH	 3	657
	AS	 5	656
	WH	4 - 6	656
	TE700, 800	20	657
	SH740	41	658
	CK	 1.5	658
	HM-250V	 3	659
	HM-250Y	 3	659
	HM-330	 3	659
	PS-37 (PIPE HOLDER)	20/2 pcs	659

TIE RACKS		
Picture	Item Name	Page
	TIEM	660
	TIE-33	660
	MST-20	661
	TR	661
	S-350	 662
	STR	 662
	DTR	 662

WARDROBE &
CABINET DOOR HARDWARE

INDEX

MONOFLAT LIN-X HINGE

Under Development

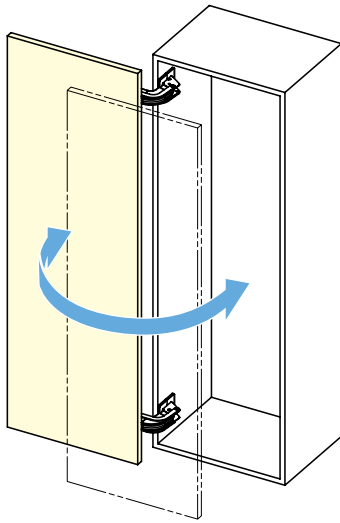


L=R

INSTRUCTION

LIN-X800

MonoFlat LIN-X hinge



	LIN-X800	LIN-X800H
Door Width	750 - 850 mm	
Door Height	Max. 2400 mm	Max. 2980 mm
Door Thickness	24 - 40 mm	
Door Weight	Max. 40 kg per door	
Usage	1 per door (Overlay)	

Features

- Innovative movement keeps doors discretely out of the way.**
 Door closes flush with surrounding walls for a sleek and clean design.
 No need to do special processing on any wall for grooves or rails.
 Can be used on aluminium frames (if the frame has a thickness over 120 mm).
- Whether open or closed, door stays out of the way**
 Compared to regular swing doors, has a small radius allowing the space in front of the door to be used effectively.
- Opens fully for access to entire cabinet.**
 Whether installing cabinets or just getting access, the entire cabinet interior is easily accessible.
- Built-in soft close mechanism**
 When the door closes, the internal damper will cause the door to close softly, preventing slamming.
- 4 Way adjustment post installation**
 Can be adjusted vertically, horizontally, depth or parallel.
- Wide amount of applicable cabinets**
 Can be used on dual opening, single opening cabinets. Can also be used on L shaped corner spaces.

Parts Included

- OTruss head tapping screw 6*25
- Truss head screw M5 x 10
- M5 Square Nut
- One end mouth wrench

Colour Variation

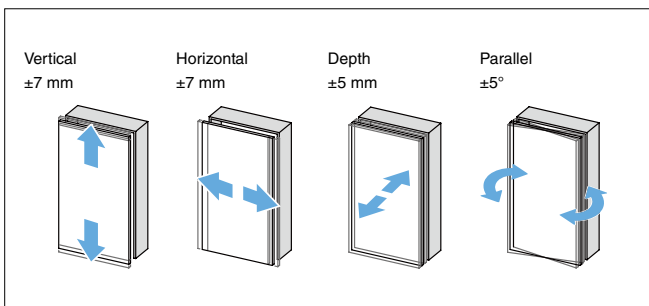


Black

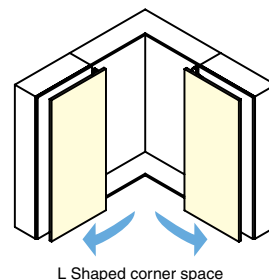
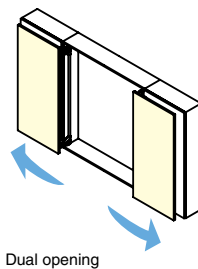
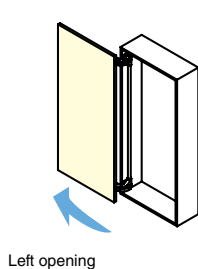
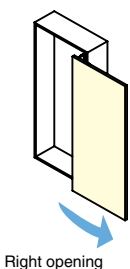
White

WARDROBE & CABINET DOOR HARDWARE

MONOFLAT LIN-X HINGE



*Vertical, Horizontal, Depth and Parallel adjustment possible post-installation.



MONO FLAT LIN-X HINGE
If ordering LIN-X800

• Be sure to order..... **Part Set (per door)**

Part Set (per door)

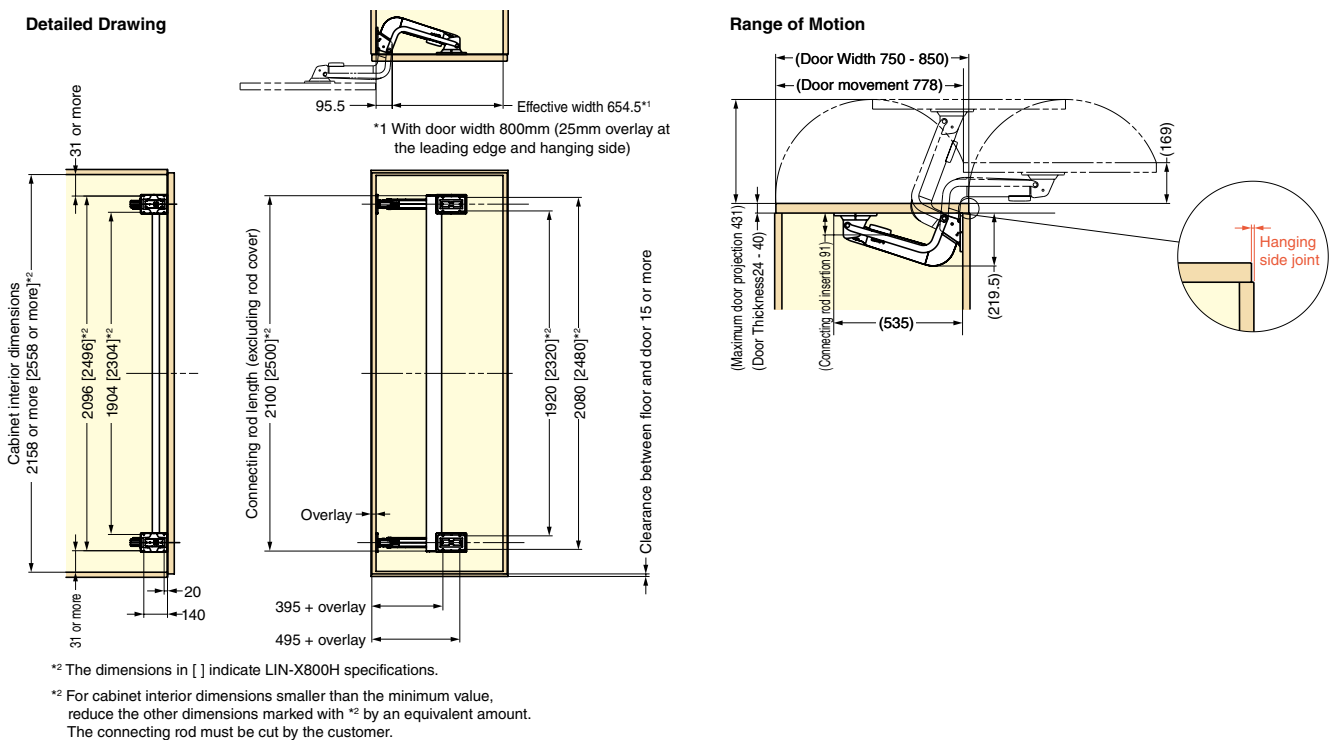
This set must be ordered. Select a suitable set according to the door height.

CAD	Item Code	Item Name	Door Height	Colour	Set Content (for LIN-X800)			
					1 Hinge + 2 3 Washer Cover + 4 Rod Cover		5 Connecting Rod	
					Item Code	Item Name	Item Code	Item Name
2030	250-043-897	LIN-X800-BL-S	2400 mm	Black	250-043-834	LIN-X800-BL	250-043-842	LIN-X80-L2100-BL
2030	250-043-898	LIN-X800-WT-S	or Less	White	250-043-835	LIN-X800-WT	250-043-843	LIN-X80-L2100-SL
2030	250-043-899	LIN-X800H-BL-S	2980 mm	Black	250-043-834	LIN-X800-BL	250-043-844	LIN-X80-L2500-BL
2030	250-043-900	LIN-X800H-WT-S	or Less	White	250-043-835	LIN-X800-WT	250-043-845	LIN-X80-L2500-SL

Part Set Contents

No. Quantity	Parts in Set	Dimensions	Specifications
1 A - B each	Hinge A		<ul style="list-style-type: none"> Material: Steel (SPCC)/ Polyacetal (POM) Finish: Nickel Plating Baked enamel finish
	Hinge B		
2	4 pcs Washer cover (hanging side)		Material: ABS resin
3	4 pcs Washer cover (leading edge)		Material: ABS resin
4	2 pcs Rod cover		Material: Polyacetal (POM)

No. Quantity	Parts in Set	Dimensions	Specifications
5 Either part	Connecting rod		<ul style="list-style-type: none"> Material: Aluminium alloy Finish: Anodised: Black/silver
			<ul style="list-style-type: none"> Material: Aluminium alloy Finish: Anodised: Black/silver



WARDROBE & CABINET DOOR HARDWARE

MONOFLAT LIN-X HINGE

POCKET DOOR SYSTEM (INSET)



ALT-2V-220

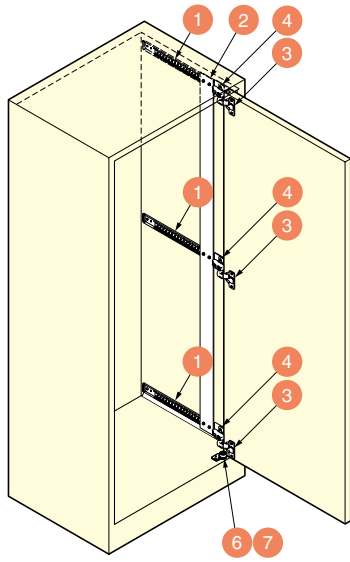
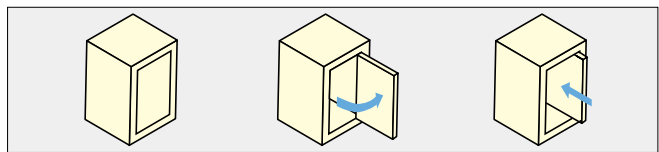


WARDROBE & CABINET DOOR HARDWARE

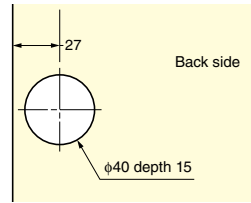
Item Name	ALT-2V-220S-16 - 28 S Type (2 Rails)	ALT-2V-220M-16 - 28 M Type (3 Rails)	ALT-2V-220L-16 - 28 L Type (3 Rails)	ALT-2V-220LL-16 - 28 LL Type (4 Rails)
Door Width	Max. 560 mm	Max. 560 mm	Max. 560 mm	Max. 600 mm
Door Height	820 - 1060 mm	1240 - 1500 mm	1640 - 1840 mm	1980 - 2300 mm
Door Thickness	18 - 30 mm			
Door Weight	Max. 5 kg	Max. 6 kg	Max. 8 kg	Max. 10 kg

Features

- Works on cabinet doors up to 2300mm in height and 600mm wide.
- Works on many sizes of horizontal opening cabinet doors. Designed for inset pocket doors.
- When open, doors can retract inside the cabinet, allowing full access (besides pocket) to inside of cabinet.
- Movement is extremely smooth due to slide rails.



Door Cut Out Dimensions

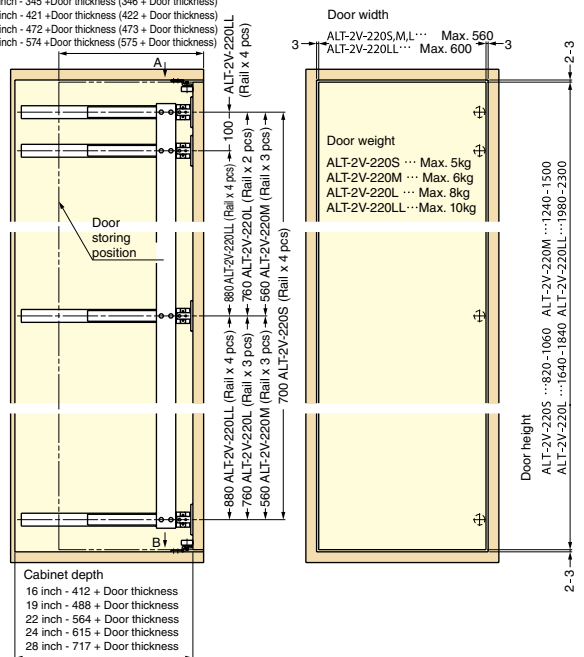
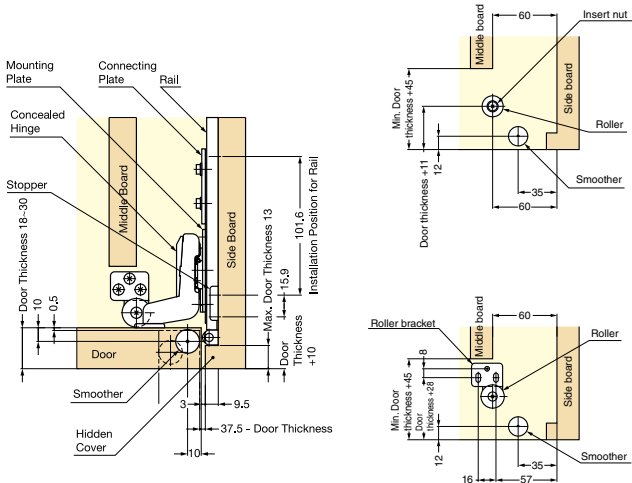


Installation

Door storing

- 16 inch - 269 + Door thickness (270 + Door thickness)
- 19 inch - 345 + Door thickness (346 + Door thickness)
- 22 inch - 421 + Door thickness (422 + Door thickness)
- 24 inch - 472 + Door thickness (473 + Door thickness)
- 28 inch - 574 + Door thickness (575 + Door thickness)

Rail Installation & Clearance Dimensions


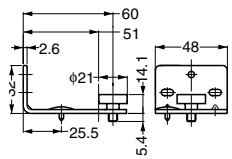


POCKET DOOR SYSTEM (INSET)

Parts Set (Per Door)			Necessary Parts											
Type	Item Code	Item Name	Part Name											
			1 Rail		2 Connecting Plate		3 Concealed Hinge (Body)		4 Mounting Plate		5 Catch		6 - 10 Parts Set	
			Item Name	Qty	Item Name	Qty	Item Name	Qty	Item Name	Qty	Item Name	Qty	Item Name	Qty
S	180-120-930	ALT-2V-220S-16	AL127C-16	2 pcs	ALT55-S	1 pc	H230-C26/OT	2 pcs	ALT-MP	2 pcs	AL127-CH	1 pc	ALT-2V-220SP	1 set
	180-120-931	ALT-2V-220S-19	AL127C-19	2 pcs	ALT55-S	1 pc	H230-C26/OT	2 pcs	ALT-MP	2 pcs	AL127-CH	1 pc	ALT-2V-220SP	1 set
	180-120-932	ALT-2V-220S-22	AL127C-22	2 pcs	ALT55-S	1 pc	H230-C26/OT	2 pcs	ALT-MP	2 pcs	AL127-CH	1 pc	ALT-2V-220SP	1 set
	180-120-933	ALT-2V-220S-24	AL127C-24	2 pcs	ALT55-S	1 pc	H230-C26/OT	2 pcs	ALT-MP	2 pcs	AL127-CH	1 pc	ALT-2V-220SP	1 set
	180-120-934	ALT-2V-220S-28	AL127C-28	2 pcs	ALT55-S	1 pc	H230-C26/OT	2 pcs	ALT-MP	2 pcs	AL127-CH	1 pc	ALT-2V-220SP	1 set
M	180-120-935	ALT-2V-220M-16	AL127C-16	3 pcs	ALT55-M	1 pc	H230-C26/OT	3 pcs	ALT-MP	3 pcs	AL127-CH	2 pcs	ALT-2V-220LP	1 set
	180-120-936	ALT-2V-220M-19	AL127C-19	3 pcs	ALT55-M	1 pc	H230-C26/OT	3 pcs	ALT-MP	3 pcs	AL127-CH	2 pcs	ALT-2V-220LP	1 set
	180-120-937	ALT-2V-220M-22	AL127C-22	3 pcs	ALT55-M	1 pc	H230-C26/OT	3 pcs	ALT-MP	3 pcs	AL127-CH	2 pcs	ALT-2V-220LP	1 set
	180-120-938	ALT-2V-220M-24	AL127C-24	3 pcs	ALT55-M	1 pc	H230-C26/OT	3 pcs	ALT-MP	3 pcs	AL127-CH	2 pcs	ALT-2V-220LP	1 set
	180-120-939	ALT-2V-220M-28	AL127C-28	3 pcs	ALT55-M	1 pc	H230-C26/OT	3 pcs	ALT-MP	3 pcs	AL127-CH	2 pcs	ALT-2V-220LP	1 set
L	180-120-940	ALT-2V-220L-16	AL127C-16	3 pcs	ALT55-L	1 pc	H230-C26/OT	3 pcs	ALT-MP	3 pcs	AL127-CH	2 pcs	ALT-2V-220LP	1 set
	180-120-941	ALT-2V-220L-19	AL127C-19	3 pcs	ALT55-L	1 pc	H230-C26/OT	3 pcs	ALT-MP	3 pcs	AL127-CH	2 pcs	ALT-2V-220LP	1 set
	180-120-942	ALT-2V-220L-22	AL127C-22	3 pcs	ALT55-L	1 pc	H230-C26/OT	3 pcs	ALT-MP	3 pcs	AL127-CH	2 pcs	ALT-2V-220LP	1 set
	180-120-943	ALT-2V-220L-24	AL127C-24	3 pcs	ALT55-L	1 pc	H230-C26/OT	3 pcs	ALT-MP	3 pcs	AL127-CH	2 pcs	ALT-2V-220LP	1 set
	180-120-944	ALT-2V-220L-28	AL127C-28	3 pcs	ALT55-L	1 pc	H230-C26/OT	3 pcs	ALT-MP	3 pcs	AL127-CH	2 pcs	ALT-2V-220LP	1 set
LL	180-120-945	ALT-2V-220LL-16	AL127C-16	4 pcs	ALT55-LL	1 pc	H230-C26/OT	4 pcs	ALT-MP	4 pcs	AL127-CH	2 pcs	ALT-2V-220LLP	1 set
	180-120-946	ALT-2V-220LL-19	AL127C-19	4 pcs	ALT55-LL	1 pc	H230-C26/OT	4 pcs	ALT-MP	4 pcs	AL127-CH	2 pcs	ALT-2V-220LLP	1 set
	180-120-947	ALT-2V-220LL-22	AL127C-22	4 pcs	ALT55-LL	1 pc	H230-C26/OT	4 pcs	ALT-MP	4 pcs	AL127-CH	2 pcs	ALT-2V-220LLP	1 set
	180-120-948	ALT-2V-220LL-24	AL127C-24	4 pcs	ALT55-LL	1 pc	H230-C26/OT	4 pcs	ALT-MP	4 pcs	AL127-CH	2 pcs	ALT-2V-220LLP	1 set
	180-120-949	ALT-2V-220LL-28	AL127C-28	4 pcs	ALT55-LL	1 pc	H230-C26/OT	4 pcs	ALT-MP	4 pcs	AL127-CH	2 pcs	ALT-2V-220LLP	1 set

WARDROBE & CABINET DOOR HARDWARE




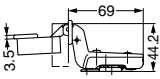

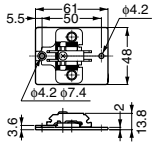

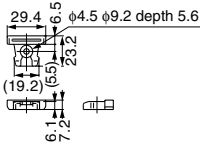
POCKET DOOR SYSTEM (INSET)

Optional Parts					
No.	Qty	Item Code	Part Name	Dimensions	Description
11	1 pc	180-120-340 ALT-BR (Non-handed)	Side Mount Bracket 		<ul style="list-style-type: none"> Material: Steel Finish: Yellow Zinc Chromate See P.606 for Details.

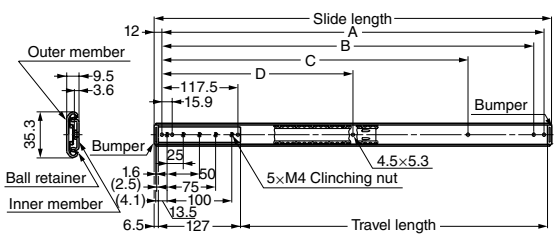
ALT-2V-220 PARTS SET DETAILS

WARDROBE & CABINET DOOR HARDWARE

POCKET DOOR SYSTEM (INSET)

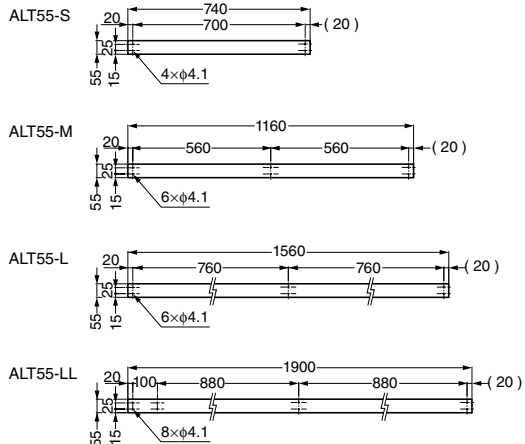
No.	Qty				Part Name	Dimensions	Description
	S	M	L	LL			
1	2 pcs	3 pcs	3 pcs	4 pcs	Rail 	As below.	Item Code : 190-113-867 Item Name : AL127C-16 Item Code : 190-113-868 Item Name : AL127C-19 Item Code : 190-113-869 Item Name : AL127C-22 Item Code : 190-113-870 Item Name : AL127C-24 Item Code : 190-113-871 Item Name : AL127C-28 • Material Steel • Finish Clear Zinc Chromate
2	1 pc	1 pc	1 pc	1 pc	Connecting Plate 	As below.	Item Code : 180-120-526 Item Name : ALT55-S Item Code : 180-120-525 Item Name : ALT55-M Item Code : 180-120-524 Item Name : ALT55-L Item Code : 180-120-523 Item Name : ALT55-LL • Material Aluminium Alloy • Finish Anodized Silver
3	2 pcs	3 pcs	3 pcs	4 pcs	Concealed Hinge (Body) 		Item Code : 160-079-412 Item Name : H230-C26/0T • Material Steel • Finish Nickel w/ Catch
4	2 pcs	3 pcs	3 pcs	4 pcs	Mounting Plate 		Item Code : 160-120-535 Item Name : ALT-MP • Material Steel • Finish Nickel
5	1 pc	2 pcs	2 pcs	2 pcs	Catch 		Item Code : 180-120-522 Item Name : AL127-CH • Material PUR • Finish Black

• Rail Dimensions




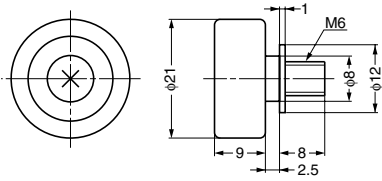

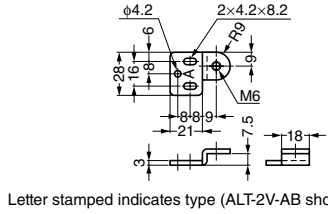

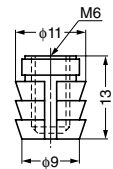

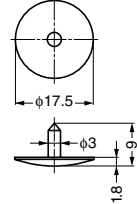

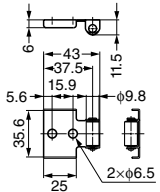
Item Name	Slide Length	Travel Length	Door Storage	A	B	C	D
AL127C-16	411.4	269.4	268	387.4	371.5	269.9	-
AL127C-19	487.6	345.6	344	463.6	447.7	346.1	231.8
AL127C-22	563.8	421.8	420	539.8	523.9	422.3	269.9
AL127C-24	614.6	472.6	471	590.6	574.7	473.1	295.3
AL127C-28	716.2	574.2	573	692.2	676.3	574.7	346.1

• Connecting Plate Dimensions



Parts Set Details

- a Item Code: 180-110-588 Item Name: ALT-2V-220SP
- b Item Code: 180-032-767 Item Name: ALT-2V-220LP
- c Item Code: 180-110-590 Item Name: ALT-2V-220LLP

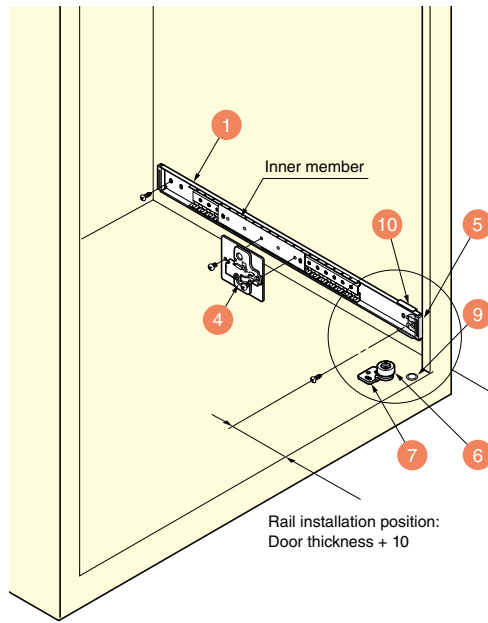
No.	Qty			Part Name	Dimensions	Description
	a	b	c			
6	2 pcs	2 pcs	2 pcs	Roller 		Item Code : 180-940-144 Item Name : DU19-B4SBR <ul style="list-style-type: none"> • Material EPDM / Steel • Finish Clear Zinc Chromate / White
7	1 pair (Left and Right)	1 pair (Left and Right)	1 pair (Left and Right)	Roller Bracket 	 <p>Letter stamped indicates type (ALT-2V-AB shown).</p>	Item Code : 180-930-145 Item Name : ALT-2V-AB Item Code : 180-930-146 Item Name : ALT-2V-BB <ul style="list-style-type: none"> • Material Steel • Finish Yellow Zinc Chromate
8	2 pcs	2 pcs	2 pcs	Insert 		Item Code : 120-041-310 Item Name : SC-107-13 <ul style="list-style-type: none"> • Material PA • Finish White
9	2 pcs	2 pcs	2 pcs	Slider 		Item Code : 210-030-123 Item Name : G-175 <ul style="list-style-type: none"> • Material PE • Finish Natural
10	2 pcs	3 pcs	4 pcs	Door Stopper 		Item Code : 180-930-416 Item Name : ALT-AD <ul style="list-style-type: none"> • Material UR / Steel • Finish Clear Zinc Chromate / White

Parts Included

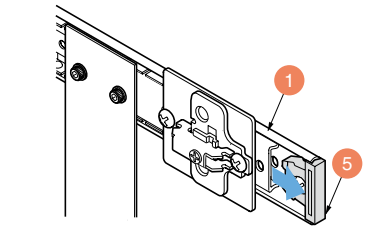
Hex key, Pan head screw M4x6, Binding head tapping screw, Countersunk head tapping screw, Hexagon top bolt M4x6

Temporary Installation of Rail 1

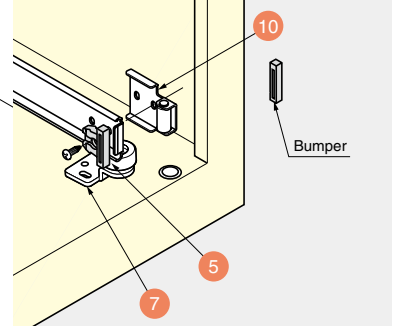
- Fix 1 onto 10.
- Mount 1 inside the cabinet (temporary).
- Fix 4 onto Inner member of 1.
- Attach 5 to 1 as per the drawing on the right.



Catch 5 (AL127-CH)

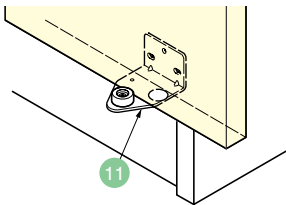


Installation of Catch 5

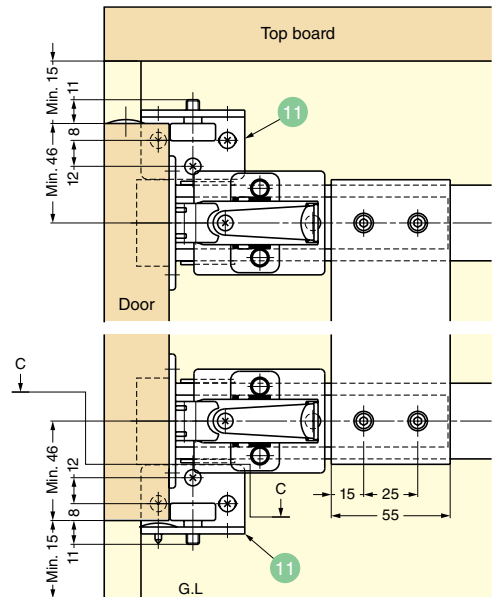


Remove bumpers from the lower two rails, and replace with the catches 5. If the number of rail is two (S type), replace on the lower rail only.

Installation of Bracket 11

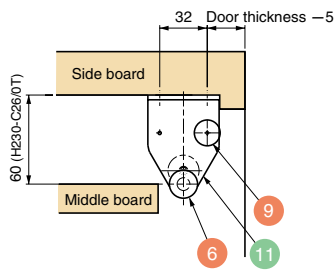


Installation dimensions of bracket 11



Installation of Slider 9

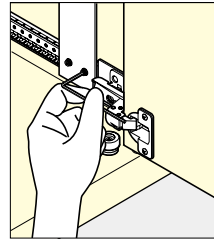
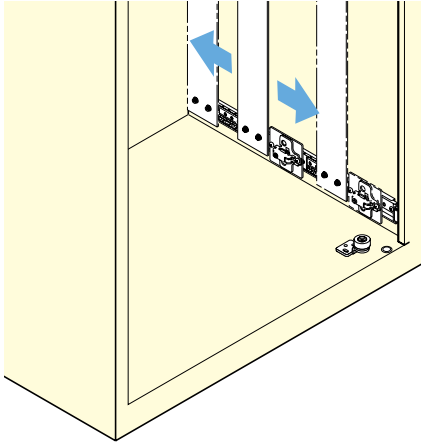
(Section C-C)



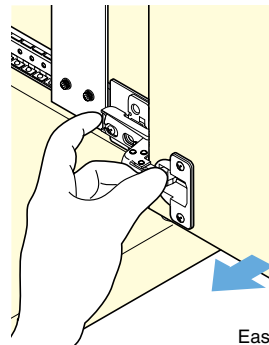
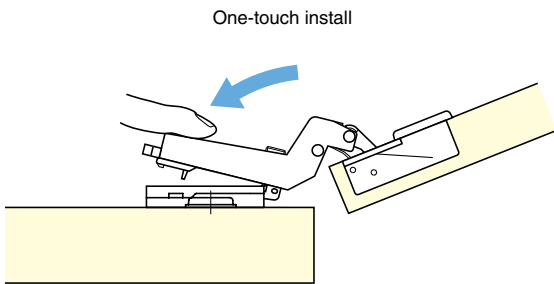
Right side installation

Installation of Connecting Plate

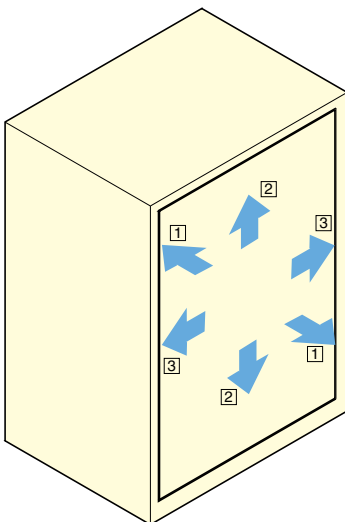
- Mount the connecting plate on the rails temporarily.
- Make sure that the connecting plate moves smoothly.
- Tighten the screws of the connecting plate.



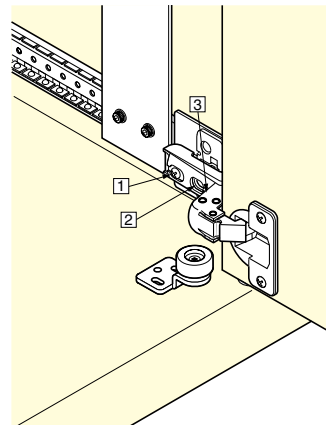
Hanging Door



Door Adjustment



- 1 Front/Back adjustment
- 2 Height adjustment
- 3 Left/Right adjustment



POCKET DOOR SYSTEM (OVERLAY)



ALT-2V-5

WARDROBE & CABINET DOOR HARDWARE

POCKET DOOR SYSTEM (OVERLAY)



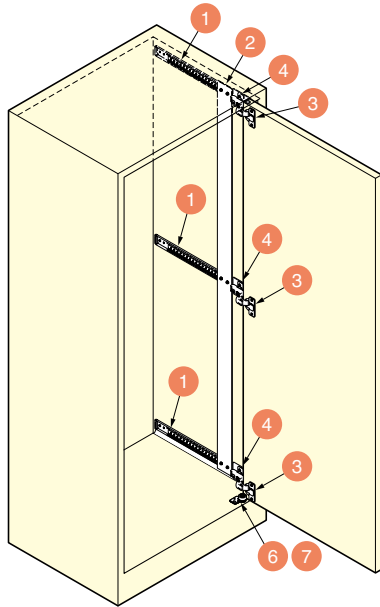
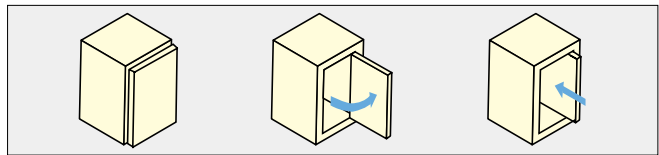
Item Name	ALT-2V-5S-16 - 28 S Type (2 Rails)	ALT-2V-5M16 - 28 M Type (3 Rails)	ALT-2V-5L-16 - 28 L Type (3 Rails)	ALT-2V-5LL-16 - 28 LL Type (4 Rails)
Door Width	Max. 560 mm	Max. 560 mm	Max. 560 mm	Max. 600 mm
Door Height	830 - 1060 mm	1250 - 1500 mm	1650 - 1840 mm	1990 - 2300 mm
Door Thickness	Max. 20 mm			
Door Weight	Max. 5 kg	Max. 6 kg	Max. 8 kg	Max. 10 kg

Features

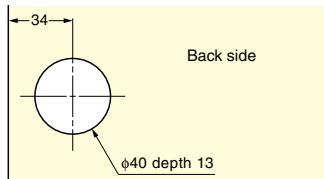
- Works on cabinet doors up to 2300mm in height and 600mm wide.
- Works on many sizes of horizontal opening cabinet doors. Designed for overlay pocket doors.
- When open, doors can retract inside the cabinet, allowing full access (besides pocket) to inside of cabinet.
- Movement is extremely smooth due to slide rails.
- Uses a snap-in type concealed hinge for easy attachment and removal.

Remarks

For wooden door only.

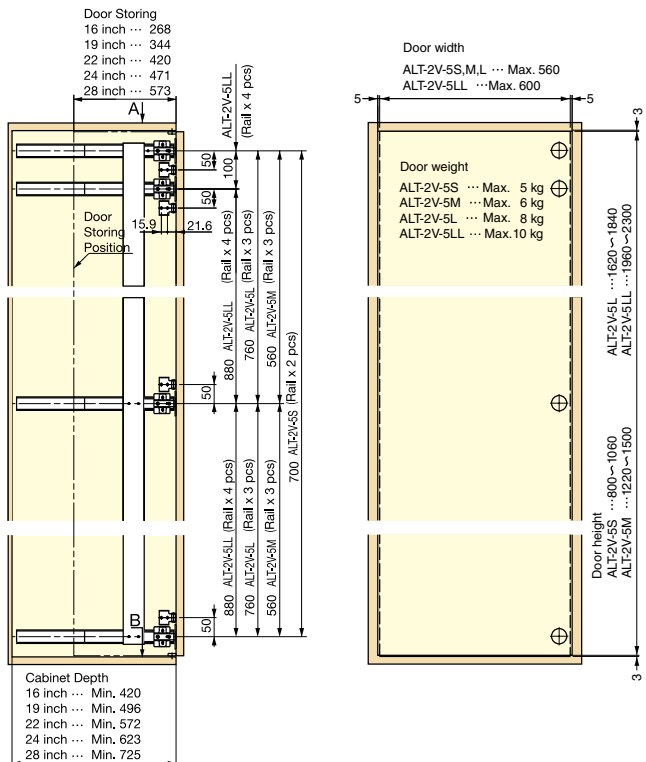
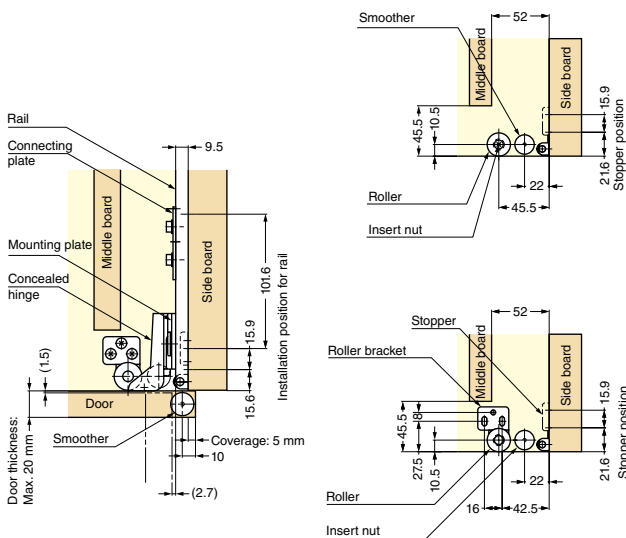


Door Cut Out Dimensions


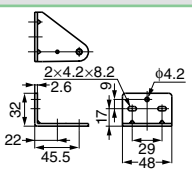


Installation




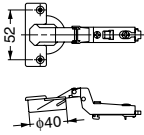

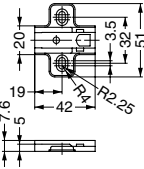
Rail Installation and Clearance Dimensions



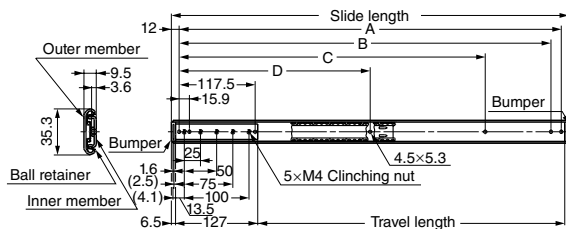
Parts Set (Per Door)		Necessary Parts										
Type	Item Code	Item Name	Part Name									
			1 Rail		2 Connecting Plate		3 Concealed Hinge (Body)		4 Mounting Plate		5 - 11 Parts Set	
			Item Name	Qty	Item Name	Qty	Item Name	Qty	Item Name	Qty	Item Name	Qty
S	180-120-910	ALT-2V-5S-16	AL127C-16	2 pcs	ALT55-S	1 pc	51-MH45-05-15	2 pcs	520401M5020	2 pcs	ALT-2V-5SP	1 set
	180-120-911	ALT-2V-5S-19	AL127C-19	2 pcs	ALT55-S	1 pc	51-MH45-05-15	2 pcs	520401M5020	2 pcs	ALT-2V-5SP	1 set
	180-120-912	ALT-2V-5S-22	AL127C-22	2 pcs	ALT55-S	1 pc	51-MH45-05-15	2 pcs	520401M5020	2 pcs	ALT-2V-5SP	1 set
	180-120-913	ALT-2V-5S-24	AL127C-24	2 pcs	ALT55-S	1 pc	51-MH45-05-15	2 pcs	520401M5020	2 pcs	ALT-2V-5SP	1 set
	180-120-914	ALT-2V-5S-28	AL127C-28	2 pcs	ALT55-S	1 pc	51-MH45-05-15	2 pcs	520401M5020	2 pcs	ALT-2V-5SP	1 set
M	180-120-915	ALT-2V-5M-16	AL127C-16	3 pcs	ALT55-M	1 pc	51-MH45-05-15	3 pcs	520401M5020	3 pcs	ALT-2V-5MP	1 set
	180-120-916	ALT-2V-5M-19	AL127C-19	3 pcs	ALT55-M	1 pc	51-MH45-05-15	3 pcs	520401M5020	3 pcs	ALT-2V-5MP	1 set
	180-120-917	ALT-2V-5M-22	AL127C-22	3 pcs	ALT55-M	1 pc	51-MH45-05-15	3 pcs	520401M5020	3 pcs	ALT-2V-5MP	1 set
	180-120-918	ALT-2V-5M-24	AL127C-24	3 pcs	ALT55-M	1 pc	51-MH45-05-15	3 pcs	520401M5020	3 pcs	ALT-2V-5MP	1 set
	180-120-919	ALT-2V-5M-28	AL127C-28	3 pcs	ALT55-M	1 pc	51-MH45-05-15	3 pcs	520401M5020	3 pcs	ALT-2V-5MP	1 set
L	180-120-920	ALT-2V-5L-16	AL127C-16	3 pcs	ALT55-L	1 pc	51-MH45-05-15	3 pcs	520401M5020	3 pcs	ALT-2V-5LP	1 set
	180-120-921	ALT-2V-5L-19	AL127C-19	3 pcs	ALT55-L	1 pc	51-MH45-05-15	3 pcs	520401M5020	3 pcs	ALT-2V-5LP	1 set
	180-120-922	ALT-2V-5L-22	AL127C-22	3 pcs	ALT55-L	1 pc	51-MH45-05-15	3 pcs	520401M5020	3 pcs	ALT-2V-5LP	1 set
	180-120-923	ALT-2V-5L-24	AL127C-24	3 pcs	ALT55-L	1 pc	51-MH45-05-15	3 pcs	520401M5020	3 pcs	ALT-2V-5LP	1 set
	180-120-924	ALT-2V-5L-28	AL127C-28	3 pcs	ALT55-L	1 pc	51-MH45-05-15	3 pcs	520401M5020	3 pcs	ALT-2V-5LP	1 set
LL	180-120-925	ALT-2V-5LL-16	AL127C-16	4 pcs	ALT55-LL	1 pc	51-MH45-05-15	4 pcs	520401M5020	4 pcs	ALT-2V-5LLP	1 set
	180-120-926	ALT-2V-5LL-19	AL127C-19	4 pcs	ALT55-LL	1 pc	51-MH45-05-15	4 pcs	520401M5020	4 pcs	ALT-2V-5LLP	1 set
	180-120-927	ALT-2V-5LL-22	AL127C-22	4 pcs	ALT55-LL	1 pc	51-MH45-05-15	4 pcs	520401M5020	4 pcs	ALT-2V-5LLP	1 set
	180-120-928	ALT-2V-5LL-24	AL127C-24	4 pcs	ALT55-LL	1 pc	51-MH45-05-15	4 pcs	520401M5020	4 pcs	ALT-2V-5LLP	1 set
	180-120-929	ALT-2V-5LL-28	AL127C-28	4 pcs	ALT55-LL	1 pc	51-MH45-05-15	4 pcs	520401M5020	4 pcs	ALT-2V-5LLP	1 set

Optional Parts											
No.	Installation Position	Qty	Item Code	Part Name	Dimensions	Description					
12	For Lower Right & Upper Left	1 pc	180-120-342	Side Mount Bracket			<ul style="list-style-type: none"> Material: Steel Finish: Yellow Zinc Chromate See P.612 for details.				
			Item Name: ALT-2V5BR1								
13	For Upper Right & Lower Left	1 pc	180-120-343								
			Item Name: ALT-2V5BR2								

ALT-2V-5 PARTS SET DETAILS

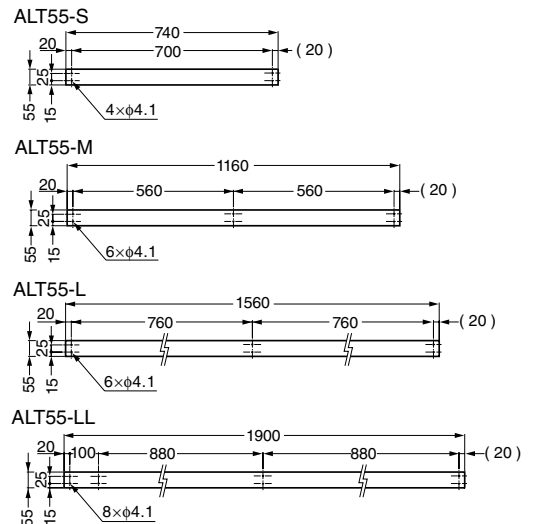
No.	Qty				Part Name	Dimensions	Description
	S	M	L	LL			
1	2 pcs	3 pcs	3 pcs	4 pcs	Rail 	See Rail Dimensions.	Item Code : 190-113-867 Item Name : AL127C-16 Item Code : 190-113-868 Item Name : AL127C-19 Item Code : 190-113-869 Item Name : AL127C-22 Item Code : 190-113-870 Item Name : AL127C-24 Item Code : 190-113-871 Item Name : AL127C-28 • Material Steel • Finish Clear Zinc Chromate
2	1 pc	1 pc	1 pc	1 pc	Connecting Plate 	See Connecting Plate Dimensions.	Item Code : 180-120-526 Item Name : ALT55-S Item Code : 180-120-525 Item Name : ALT55-M Item Code : 180-120-524 Item Name : ALT55-L Item Code : 180-120-523 Item Name : ALT55-LL • Material Aluminium Alloy • Finish Plain
3	2 pcs	3 pcs	3 pcs	4 pcs	Concealed Hinge (Body) 		Item Code : 160-070-006 Item Name : 51-MH45-05-15 • Material Steel • Finish Nickel w/ Catch
4	2 pcs	3 pcs	3 pcs	4 pcs	Mounting Plate 		Item Code : 160-076-076 Item Name : 520401M5020 • Material Steel • Finish Nickel

• Rail Dimensions



Item Name	Slide Length	Travel Length	Door Storage	A	B	C	D
AL127C-16	411.4	269.4	268	387.4	371.5	269.9	-
AL127C-19	487.6	345.6	344	463.6	447.7	346.1	231.8
AL127C-22	563.8	421.8	420	539.8	523.9	422.3	269.9
AL127C-24	614.6	472.6	471	590.6	574.7	473.1	295.3
AL127C-28	716.2	574.2	573	692.2	676.3	574.7	346.1

• Connecting Plate Dimensions



Parts Set Details

- a Item Code: 180-120-344 Item Name: ALT-2V-5SP
- b Item Code: 180-120-345 Item Name: ALT-2V-5MP
- c Item Code: 180-120-346 Item Name: ALT-2V-5LP
- d Item Code: 180-120-347 Item Name: ALT-2V-5LLP

No.	Qty				Part Name	Dimensions	Description
	a	b	c	d			
5	1 pc	2 pcs	2 pcs	2 pcs		 <p>29.4, 6.5, (5.5), 23.2, (19.2), $\phi 4.5$ $\phi 9.2$ depth 5.6, 1.6, 7.2</p>	<p>Item Code : 180-120-522 Item Name : AL127-CH</p> <ul style="list-style-type: none"> • Material PUR • Finish Black
6	2 pcs	2 pcs	2 pcs	2 pcs		 <p>$\phi 21$, 1, M6, $\phi 8$, $\phi 12$, 9, 8, 2.5</p>	<p>Item Code : 180-940-144 Item Name : DU19-B4SBR</p> <ul style="list-style-type: none"> • Material EPDM / Steel • Finish Clear Zinc Chromate / White
7	1 pair (Left and Right)	1 pair (Left and Right)	1 pair (Left and Right)	1 pair (Left and Right)		 <p>$\phi 4.2$, 2x4.2x8.2, 6, 2.0, 1.9, 1.9, M6, 21, 7.5, 18, 3</p> <p>Letter stamped indicates type (ALT-2V-AB shown).</p>	<p>Item Code : 180-930-145 Item Name : ALT-2V-AB</p> <p>Item Code : 180-930-146 Item Name : ALT-2V-BB</p> <ul style="list-style-type: none"> • Material Steel • Finish Yellow Zinc Chromate
8	2 pcs	2 pcs	2 pcs	2 pcs		 <p>M6, $\phi 11$, 13, $\phi 9$</p>	<p>Item Code : 120-041-310 Item Name : SC-107-13</p> <ul style="list-style-type: none"> • Material PA • Finish White
9	2 pcs	2 pcs	2 pcs	2 pcs		 <p>$\phi 17.5$, 9, 1.8, $\phi 3$</p>	<p>Item Code : 210-030-123 Item Name : G-175</p> <ul style="list-style-type: none"> • Material PE • Finish Natural
10	2 pcs	3 pcs	3 pcs	4 pcs		 <p>2xM4, 2x$\phi 4.1$, 19, 25, 42, 7.5, 3.2</p>	<p>Item Code : 180-920-308 Item Name : ALT-2V5P</p> <ul style="list-style-type: none"> • Material Steel • Finish Yellow Zinc Chromate
11	2 pcs	3 pcs	3 pcs	4 pcs		 <p>6, 43, 37.5, 15.9, 11.5, 5.6, 35.6, 25, 11.5, 0.9.8, 2x$\phi 6.5$</p>	<p>Item Code : 180-930-416 Item Name : ALT-AD</p> <ul style="list-style-type: none"> • Material UR / Steel • Finish Clear Zinc Chromate / White

Parts Included

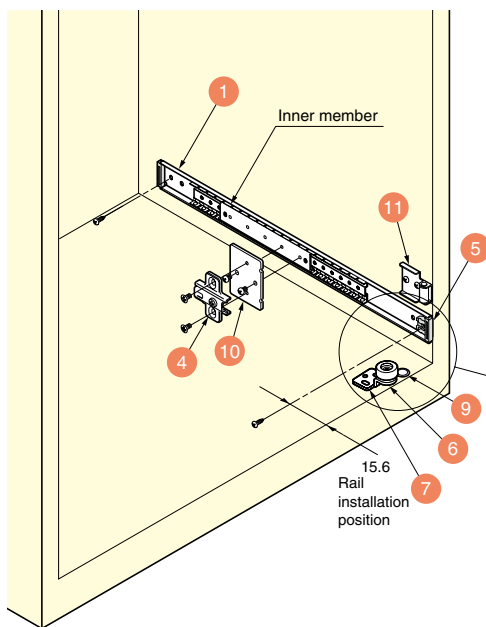
Hex key, Pan head screw M4x6, Binding head tapping screw, Countersunk head tapping screw, Hexagon top bolt M4x6, Countersunk head screw M4x6

WARDROBE & CABINET DOOR HARDWARE

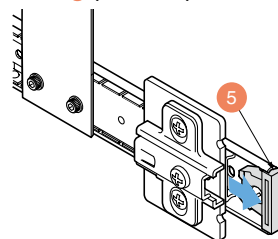
POCKET DOOR SYSTEM (OVERLAY)

Temporary Installation of Rail ①

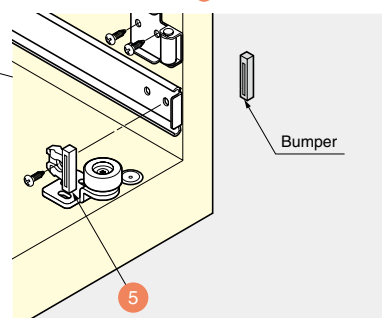
- Fix ⑪.
- Fix ① with ⑤.
- Fix ⑩ and ④ onto Inner member of ①.
- Attach ⑤ to ① as per the drawing on the right.



Catch ⑤ (AL127-CH)

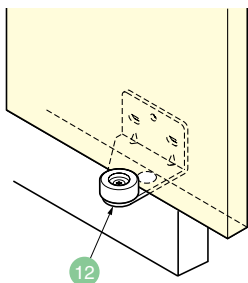


Installation of Catch ⑤



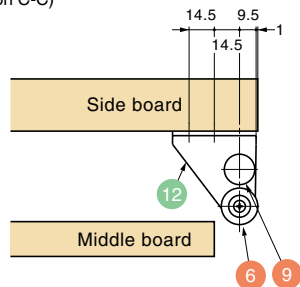
Remove the bumpers from the lower two rails, and replace with the catches ⑤. If the number of rail is two (S type), replace on the lower rail only.

Installation of Side Mount Bracket ⑫ ⑬



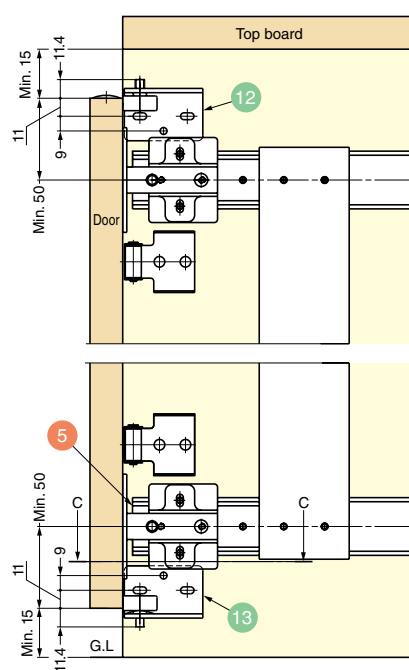
Installation of Slider ⑨

(Section C-C)



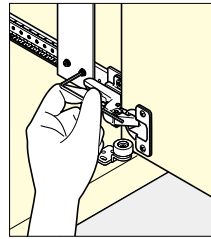
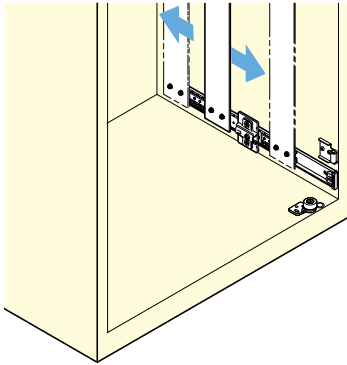
Right side installation

Installation dimensions of side mount bracket ⑫ ⑬

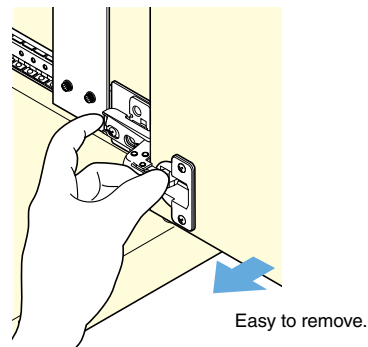
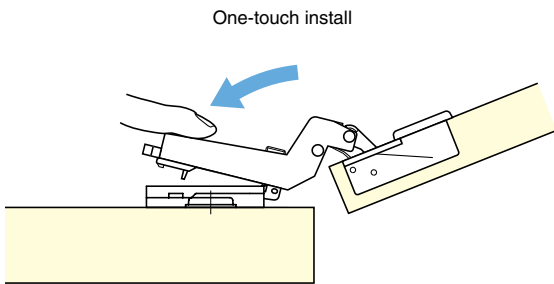


Installation of Connecting Plate 2

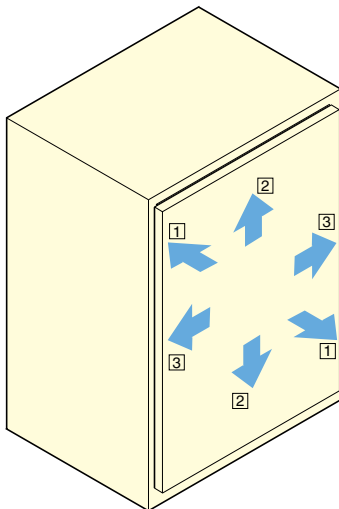
- Mount the connecting plate on the rails temporarily.
- Make sure that the connecting plate moves smoothly.
- Tighten the screws of the connecting plate.



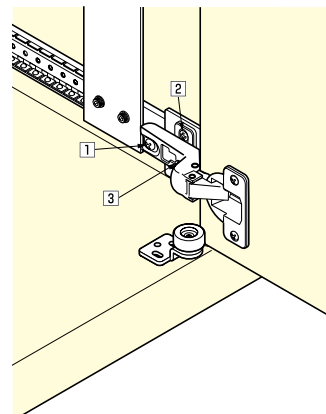
Hanging Door



Door Adjustment



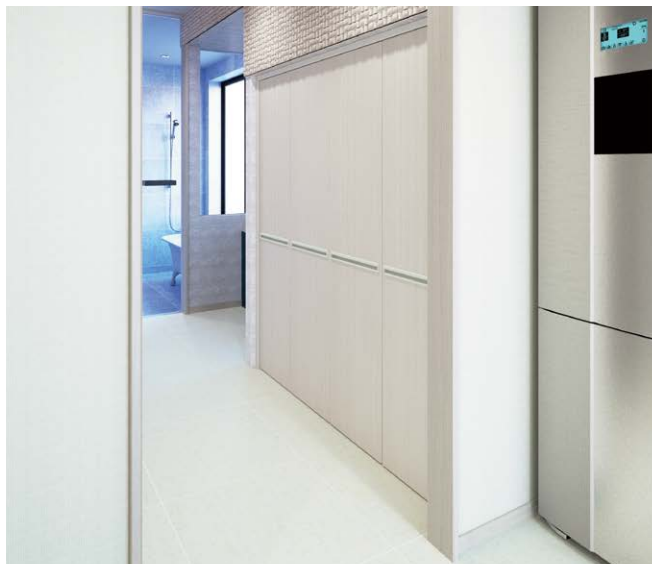
- 1 Front/Back adjustment
- 2 Height adjustment
- 3 Left/Right adjustment



FOLDING POCKET DOOR SYSTEM (INSET)



ALT-F

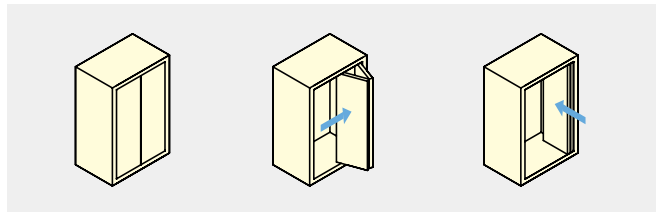


Door Width	Max. 450 mm
Door Height	Max. 1830 mm
Door Thickness	23 - 30 mm
Door Weight	Max. 10 kg/Door

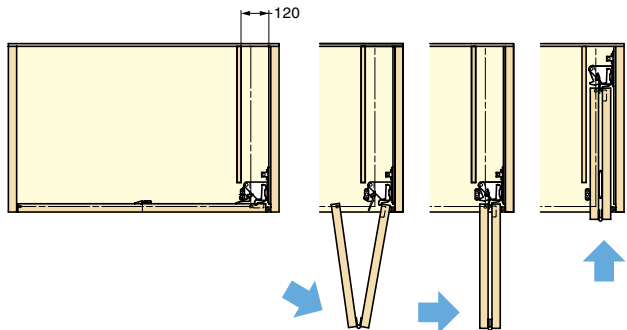
By using additional parts, Door Height Max 2400mm(Max 10kg/Door) possible. Please contact us for the details.

Features

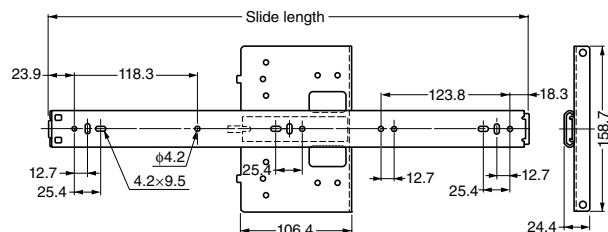
- Combines folding doors for wider door spaces.
- Folding doors retract into cabinet interior, full access (besides pocket) to the interior.
- Great solution for home and residential in-suite storage including laundry rooms.
- Max door height: Up to 2400mm with 3 rails (1830mm with 2)
- Max door width: 450mm per door. 2 doors per folding side. Total 1800mm wide cabinet entrance.



Top View

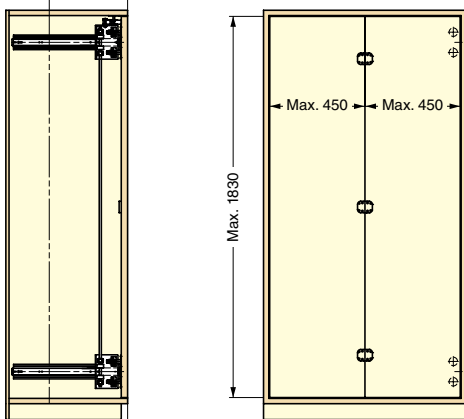


Rail Dimensions



Installation

Door storing
355.6(ALT-F18)
406.4(ALT-F20)



Min. cabinet depth
Min. 466.7 + Door thickness (ALT-F18)
Min. 517.5 + Door thickness (ALT-F20)

Item Name	Opening	Rail Length	Door Storing	Cabinet Depth
ALT-F18L	Left Opening	460.4	355.6	Min. 466.7 + Door Thickness
ALT-F18R	Right Opening	460.4	355.6	Min. 466.7 + Door Thickness
ALT-F20L	Left Opening	511.2	406.4	Min. 517.5 + Door Thickness
ALT-F20R	Right Opening	511.2	406.4	Min. 517.5 + Door Thickness

WARDROBE & CABINET DOOR HARDWARE

FOLDING POCKET DOOR SYSTEM (INSET)



Parts Set		
Necessary Parts Please refer to "Qty [a] - [d]" for parts included in each set.		
Set Name	Item Code	Item Name
a Left Opening (Door Storing 355.6)	180-034-183	ALT-F18L
b Right Opening (Door Storing 355.6)	180-034-184	ALT-F18R
c Left Opening (Door Storing 406.4)	180-034-185	ALT-F20L
d Right Opening (Door Storing 406.4)	180-034-186	ALT-F20R

Parts Included

No.	Qty	Part Name	Dimensions	Description
1	2 pcs	Rail	See P.614	<ul style="list-style-type: none"> Material: Steel Finish: Black Chromate
2	2 pcs	Rack		<ul style="list-style-type: none"> Material: ABS Finish: Black
3	1 pc	Cap		<ul style="list-style-type: none"> Material: Steel Finish: Black Chromate
4	4 pcs	Gear		<ul style="list-style-type: none"> Material: POM Finish: Black
5	4 pcs	Bush		<ul style="list-style-type: none"> Material: POM Finish: Black
6	4 pcs	Stationary Block		<ul style="list-style-type: none"> Material: POM Finish: Black Screw : Binding Head Self Tapping Screw UNC8-32
7	2 pcs	Upper Rail Joint		<ul style="list-style-type: none"> Material: PA Finish: Black Screw : Countersunk Head Tapping Screw 4.2x32
8	1 pc	Upper Rail Joint		<ul style="list-style-type: none"> Material: POM Finish: White
9	1 pc	End Guide		<ul style="list-style-type: none"> Material: Steel (SPCC) / POM Finish: Yellow Zinc Chromate / Natural
10	1 pc	Angle Stopper		<ul style="list-style-type: none"> Material: Steel (SPCC) Finish: Nickel

Not for ALT-F. This part is not used.

No.	Qty	Part Name	Dimensions	Description
11	1 pc	Inner Guide		<ul style="list-style-type: none"> Material: POM Finish: White
12	1 pc	Interlock		<ul style="list-style-type: none"> Material: Steel / POM Finish: Black / White Right type shown.
13	3 pcs	Centre Hinge		<ul style="list-style-type: none"> Material: Steel Finish: Black Screw : Countersunk Head Tapping Screw 3.5x16
14	1 pc	Hinge Cover Bracket		<ul style="list-style-type: none"> Material: Steel (SPCC) Finish: Black Paint
15	2 set (4 pcs)	Hinge Set		Item Code : 180-026-432 Item Name : ALT-F-8086HKEZX

Rail		Necessary Parts			
		1 pc is necessary for a pair of doors.			
No.	Qty	Item Code	Part Name	Dimensions	Description
16	1 pc	250-017-148	Upper Rail (1820 mm)		<ul style="list-style-type: none"> Material: Aluminium Finish: Anodized Silver Bore Pitch : Approx. 300 mm Pitch End : Approx. 30 mm
17	1 pc	250-019-971	Bottom Guide Rail (1500 mm)		<ul style="list-style-type: none"> Material: Aluminium Finish: Anodized Silver

Shaft		Necessary Parts				
		1 pc is necessary for a pair of doors.				
No.	Length	Qty	Item Code	Part Name	Dimensions	Description
18	902±13 mm	1 pc	180-121-047	Shaft		<ul style="list-style-type: none"> Material: Steel Finish: Black Chromate
			Item Name 29475-36			
19	1207±13 mm	1 pc	180-121-048	Item Name 29475-48		
20	1816±13 mm	1 pc	180-121-049	Item Name 29475-72		

POCKET DOOR SYSTEM (INSET)

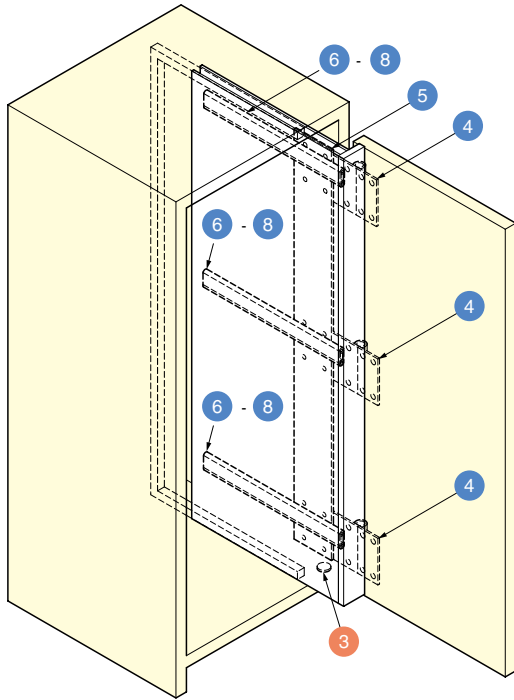
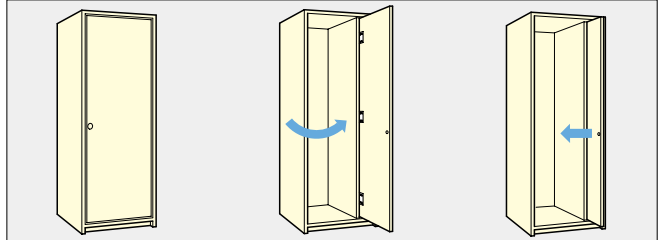


TSSL-2V

Door Width	Max. 800 mm
Door Height	1760 - 2300 mm
Door Weight	Max. 20 kg/Door

Features

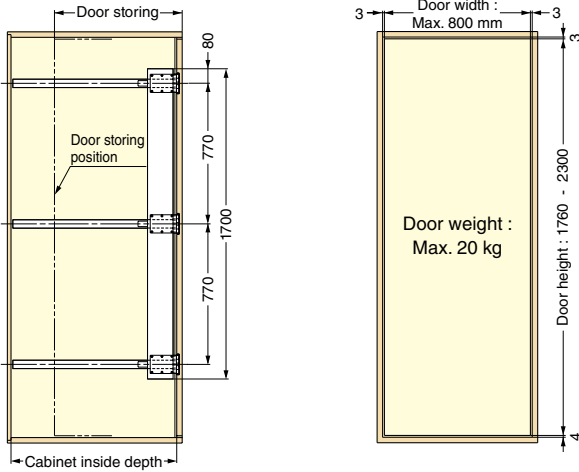
- Opening door is stored inside the cabinet.
- One touch door installation & removal.



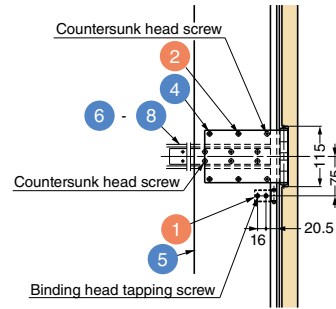
WARDROBE & CABINET DOOR HARDWARE

POCKET DOOR SYSTEM (INSET)

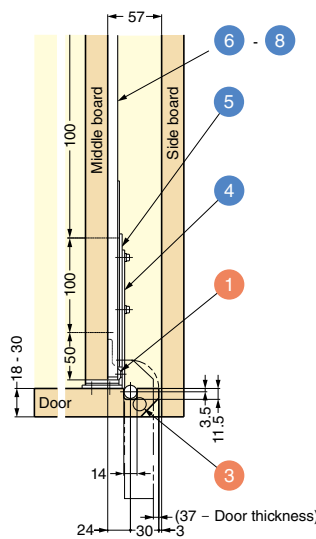
Installation



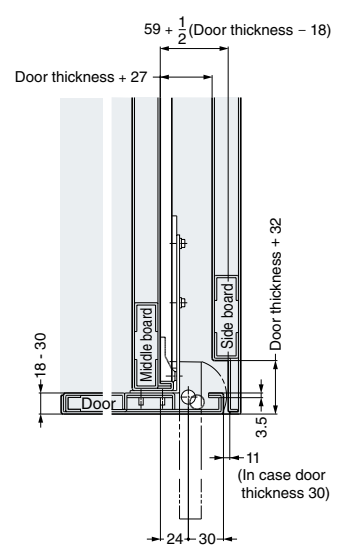
Side view (Wooden door)



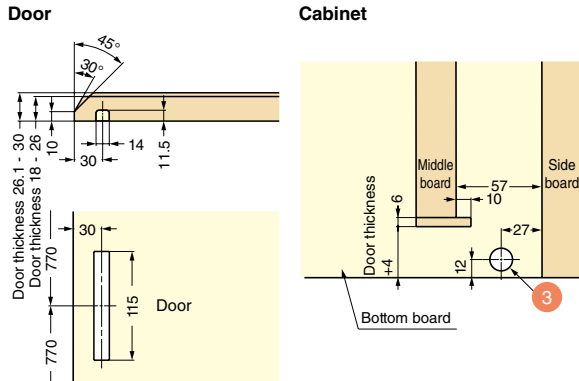
Top view (Wooden door)



Top view (Steel door)



Cut Out Dimensions



• Necessary Parts **Parts Set** + **Hinge** + **Connecting Plate** + **Rails**

Parts Set (Per Door)		Necessary Parts	
Type	Item Code	Item Name	
a) 600 mm Rails	180-110-575	TSSL-2VD600	
b) 800 mm Rails	180-110-576	TSSL-2VD800	
c) 900 mm Rails	180-110-577	TSSL-2VD900	

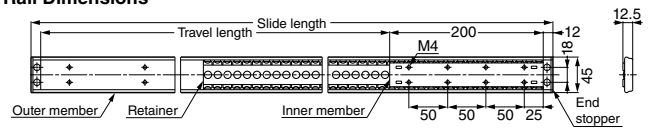
No.	Qty			Part Name	Dimensions	Description
	a	b	c			
1	3 pcs	3 pcs	3 pcs	Door Stopper		<ul style="list-style-type: none"> Material Steel Finish Clear Zinc Chromate
2	12 pcs	12 pcs	12 pcs	Bolt		<ul style="list-style-type: none"> Material Steel Finish Yellow Zinc Chromate
3	1 pc	1 pc	1 pc	Slider		<p>Item Code : 210-030-122 Item Name : F-15</p> <ul style="list-style-type: none"> Material POM Finish Natural

Parts Included

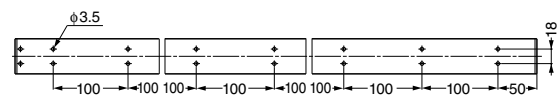
Binding head tapping screw 3.5x15..... a) 36 pcs, b) 48 pcs, c) 54 pcs
Countersunk head screw..... 24 pcs

Rail		Necessary Parts			
		3 pcs are necessary for 1 door.			
No.	Type	Qty	Item Code	Part Name	Description
6	Slide Length 600 mm	1 pc	190-110-570	Rail	
			TSSL-600SV		
7	Slide Length 800 mm	1 pc	190-110-571	Rail	* Material SUS304
			TSSL-800SV		
8	Slide Length 900 mm	1 pc	190-110-572	Rail	* Material SUS304
			TSSL-900SV		

Rail Dimensions



<Bore Pitch>



Item Name	Slide Length	Travel Length	Bore Qty N	Door Storage	Depth Inside Cabinet
TSSL-600SV	600	376	12	402.5+Door thickness	Min. 620
TSSL-800SV	800	576	16	602.5+Door thickness	Min. 820
TSSL-900SV	900	676	18	702.5+Door thickness	Min. 920

Hinge		Necessary Parts			
		3 pcs are necessary for 1 door.			
No.	Qty	Item Code	Part Name	Dimensions	Description
4	1 pc	180-110-562	Hinge		<ul style="list-style-type: none"> Material Steel Finish White
		TSSL-2VH			

Connecting Plate		Necessary Parts			
		1 pc is necessary for 1 door.			
No.	Qty	Item Code	Part Name	Dimensions	Description
5	1 pc	180-110-563	Connecting Plate		<ul style="list-style-type: none"> Material Steel Finish Yellow Zinc Chromate
		TSSL-2VP			

WARDROBE & CABINET DOOR HARDWARE

POCKET DOOR SYSTEM (INSET)

MULTIPLE MOTION DOOR SYSTEM (FOR WOOD PANELS)



Multiple Motion Door System

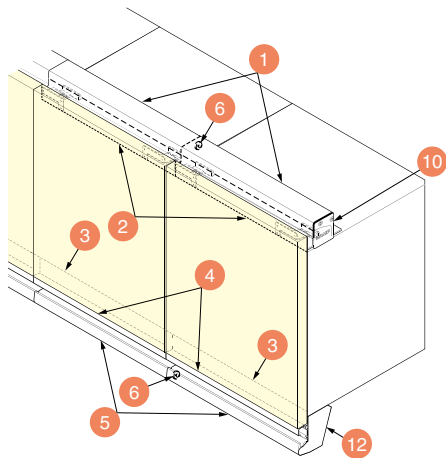
MultiMo FLAT®

WARDROBE & CABINET DOOR HARDWARE

MULTIPLE MOTION DOOR SYSTEM



Mirror door can be used.



Door Width	297 mm, 447 mm, 597 mm, 897 mm
Door Height	300 - 900 mm
Door Thickness	15 - 23 mm
Door Weight	1.5 - 6.8 kg (Per One Door) *
Door Type	Connecting Multiple Sliding Units (Overlay)

*Including parts.

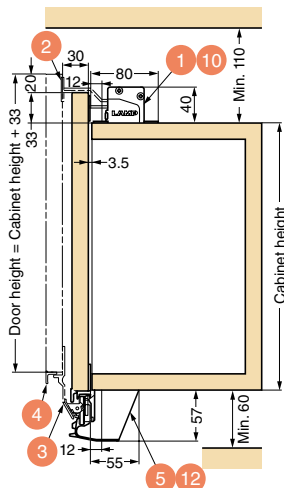
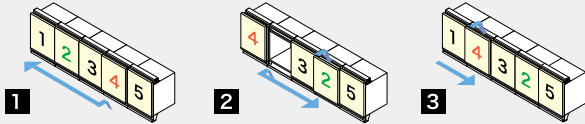
Features

- Cabinet doors can be rearranged freely, like puzzle pieces.
- Sleek Appearance
 - All doors are flush with each other when closed. Visually appealing, consistent design.
- Interchangeable Door Position
 - Opened doors can slide and be repositioned anywhere where there is space on the supporting rails.
- Extendible
 - Multiple doors can be added by connecting multiple sliding units.
- Soft & Smooth Movement
 - Built in damper for soft and smooth closing movement.
- Small Space Required
 - Great solution for shallow cabinets, hardware requires only 80mm depth.

Remarks

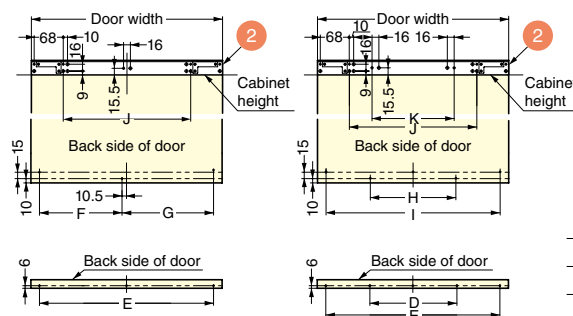
- Recommended using 3 or more doors for interchangeable door.
- Maximum door height is twice of door width.
- Glass door version is also available (P.620).
- (Wooden door and glass door models are not compatible within the same cabinet.)

Interchangeable door position (3 doors or more)

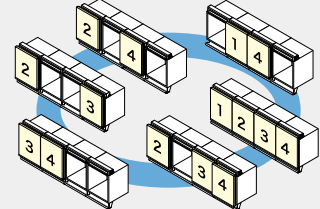


Cut Out Dimensions for Door Brackets 2, Door Sliding Profile 3, Door Handle 4

- Door width 297 mm, 447 mm
- Door width 597 mm, 897 mm



Door opening example (4 doors)



Provides various opening patterns. By adding more doors, the more opening patterns will be possible.

Door Width	D	E	F	G	H	I	J	K
297	-	257	118	139	-	-	148	-
447	-	407	193	214	-	-	298	-
597	278.5	557	-	-	300	557	448	200
897	428.5	857	-	-	400	857	748	300



Parts Set (Per Door)		Necessary Parts Same qty as door is necessary. Please order same model for a cabinet.	
Set Name	Item Code	Item Name	
a) Parts Set (Door Width 297 mm, Door Weight 1.5 - 2.4 kg)	250-121-211	MFS-W300/S2	
b) Parts Set (Door Width 447 mm, Door Weight 1.4 - 2.3 kg)	250-121-212	MFS-W450/S2	
c) Parts Set (Door Width 447 mm, Door Weight 2.4 - 3.3 kg)	250-121-213	MFS-W450/S3	
d) Parts Set (Door Width 597 mm, Door Weight 2.2 - 3.1 kg)	250-121-214	MFS-W600/S3	
e) Parts Set (Door Width 597 mm, Door Weight 3.2 - 4.1 kg)	250-121-215	MFS-W600/S4	
f) Parts Set (Door Width 597 mm, Door Weight 4.2 - 5.1 kg)	250-121-216	MFS-W600/S5	
g) Parts Set (Door Width 897 mm, Door Weight 3.9 - 4.8 kg)	250-121-217	MFS-W900/S5	
h) Parts Set (Door Width 897 mm, Door Weight 4.9 - 5.8 kg)	250-121-218	MFS-W900/S6	
i) Parts Set (Door Width 897 mm, Door Weight 5.9 - 6.8 kg)	250-121-219	MFS-W900/S7	

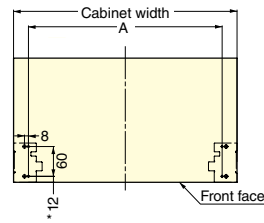
Parts Included

No.	Qty	Item Code	Dimensions	Description
1	1 pc	Upper Rail		<ul style="list-style-type: none"> Material Aluminium Alloy /Steel Finish Anodized /Clear Zinc Chromate
2	1 pc	Door Brackets		<ul style="list-style-type: none"> Material Steel/Elastomer (TPE) Finish Clear Zinc Chromate <p>*() is for Door Width 597 mm, 897 mm.</p>
3	1 pc	Door Sliding Profile		<ul style="list-style-type: none"> Material Aluminium Alloy /Steel /Polyacetal (POM) /Polyurethane (PUR) Finish Anodized /Clear Zinc Chromate <p>*() is for Door Width 597 mm, 897 mm.</p>
4	1 pc	Door Handle		<ul style="list-style-type: none"> Material Aluminium Alloy Finish Anodized <p>*() is for Door Width 597 mm, 897 mm.</p>
5	1 pc	Lower Rail		<ul style="list-style-type: none"> Material Aluminium Alloy /Steel /Polyacetal (POM) Finish Anodized /Clear Zinc Chromate <p>*() is for Door Width 597 mm, 897 mm.</p>
6	2 pcs	Connecting Pin		<ul style="list-style-type: none"> Material Stainless Steel
7	11 pcs (12 pcs)	Binding Head Tapping Screw 3.5x15		-
8	13 pcs (16 pcs)	Raised Countersunk Head Tapping Screw 3.5x14		-

Qty: () is for MFS-W600/S3, MFS-W600/S4, MFS-W600/S5, MFS-W900/S5, MFS-W900/S6 and MFS-W900/S7.

Mounting Application for Upper Rail 1

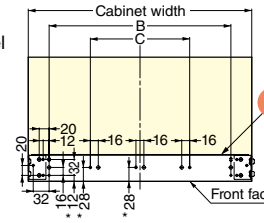
- Out side of top panel



Cabinet Width	A
300	240
450	390
600	540
900	840

Mounting Application for Lower Rail 5

- Out side of bottom panel



Cabinet Width	B	C
300	216	-
450	366	-
600	516	200
900	816	300

*When using gasket thicker than 3 mm, subtract [gasket thickness - 3 mm] from the marked dimensions.

End Cap Set (Per Door) Necessary Parts 1 set is necessary for 1 unit.

Set Name	Item Code	Item Name
End Cap Set	250-129-555	MFS-ED

Parts Included

No.	Qty	Item Code	Dimensions	Description
9	1 pc	Connecting Plate		<ul style="list-style-type: none"> Material Steel Finish Grey
10	1 pc	Installation Template		<ul style="list-style-type: none"> Material Steel Finish Grey
11	1 pc	Left Upper Rail End Cap		<ul style="list-style-type: none"> Material ABS Finish Grey
12	1 pc	Right Upper Rail End Cap		<ul style="list-style-type: none"> Material ABS Finish Grey
13	4 pcs	Raised Countersunk Head Tapping Screw 3.5x12 (Stainless Steel)		-

WARDROBE & CABINET DOOR HARDWARE

MULTIPLE MOTION DOOR SYSTEM

MULTIPLE MOTION DOOR SYSTEM (FOR GLASS PANELS)

Multiple Motion Door System

MultiMo FLAT®

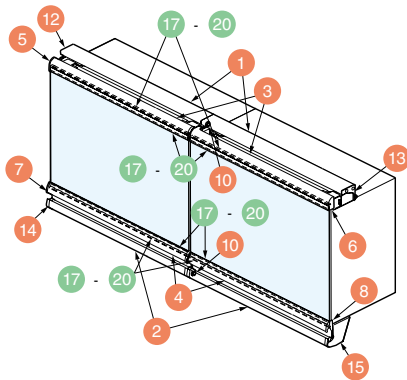
WARDROBE & CABINET DOOR HARDWARE

FOR GLASS DOORS

MULTIPLE MOTION DOOR SYSTEM



Mirror door can be used.



Glass Width	295, 445, 595, *895 mm
Glass Height	300 - 900 mm
Glass Thickness	5 mm
Door Weight	1.5 - 6.7 kg (Per One Door)
Door Type	<input type="checkbox"/> Connecting Multiple Sliding Units (Overlay)

*When glass width is 895 mm, glass height is Max. 600 mm.

Features

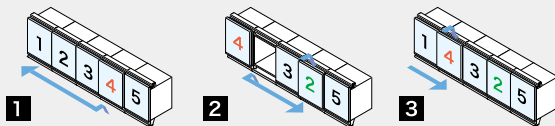
Cabinet doors can be rearranged freely, like puzzle pieces.

- Sleek Appearance
All doors are flush with each other when closed. Visually appealing, consistent design.
- Interchangeable Door Position
Opened doors can slide and be repositioned anywhere where there is space on the supporting rails.
- Extendible
Multiple doors can be added by connecting multiple sliding units.
- Soft & Smooth Movement
Built in damper for soft and smooth closing movement.
- Small Space Required
Great solution for shallow cabinets, hardware requires only 84mm depth.

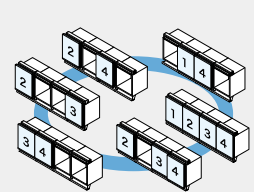
Remarks

- Recommended using 3 or more doors for interchangeable door feature.
- Maximum door height is twice of door width.
- Wooden door version is also available (P.618).
(Cannot be used together with wooden version on one cabinet.)

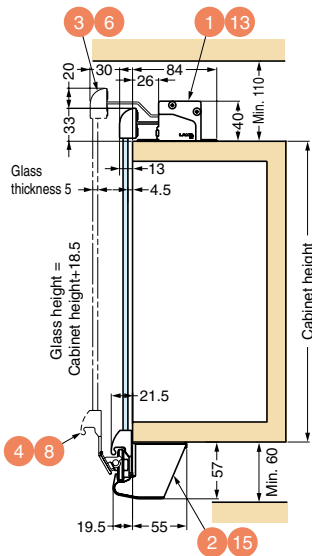
Interchangeable door position (3 doors or more)



Door opening example (4 doors)

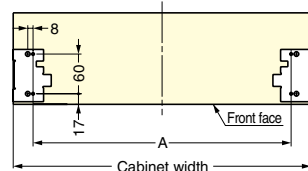


Provides various opening patterns. By adding more doors, the more opening patterns will be possible.



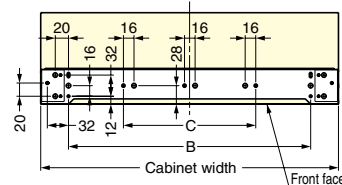
Mounting Application for Upper Rail ①

- Top panel



Mounting Application for Lower Rail ②

- Bottom panel



Cabinet Width	A	B	C
300	240	216	-
450	390	366	-
600	540	516	200
900	840	816	300

Parts Set (Per Door)		Necessary Parts Same qty as door is necessary. Please order same model for a cabinet.	
Set Name	Item Code	Item Name	
a) Parts Set (Glass Width 295 mm, Glass Weight 1.5 - 2.4 kg)	250-014-166	MFS-G300/S2	
b) Parts Set (Glass Width 445 mm, Glass Weight 1.3 - 2.2 kg)	250-014-167	MFS-G450/S2	
c) Parts Set (Glass Width 445 mm, Glass Weight 2.3 - 3.2 kg)	250-014-168	MFS-G450/S3	
d) Parts Set (Glass Width 595 mm, Glass Weight 2.1 - 3.0 kg)	250-014-169	MFS-G600/S3	
e) Parts Set (Glass Width 595 mm, Glass Weight 3.1 - 4.0 kg)	250-014-170	MFS-G600/S4	
f) Parts Set (Glass Width 595 mm, Glass Weight 4.1 - 5.0 kg)	250-014-171	MFS-G600/S5	
g) Parts Set (Glass Width 895 mm, Glass Weight 3.8 - 4.7 kg)	*250-014-172	MFS-G900/S5	
h) Parts Set (Glass Width 895 mm, Glass Weight 4.8 - 5.7 kg)	*250-014-173	MFS-G900/S6	
i) Parts Set (Glass Width 895 mm, Glass Weight 5.8 - 6.7 kg)	*250-014-174	MFS-G900/S7	

Parts Included

No.	Qty	Part Name	Dimensions	Description
1	1 pc	Upper Rail		<ul style="list-style-type: none"> Material Aluminium Alloy/Steel Finish Anodized /Clear Zinc Chromate
2	1 pc	Lower Rail		<ul style="list-style-type: none"> Material Aluminium Alloy/Steel /Polyacetal (POM) Finish Anodized /Clear Zinc Chromate
*() is for Glass Width 595 mm, 895 mm.				
3	1 pc	Upper Door Frame		<ul style="list-style-type: none"> Material Aluminium Alloy/Steel Finish Anodized /Clear Zinc Chromate
4	1 pc	Lower Door Frame		<ul style="list-style-type: none"> Material Aluminium Alloy/Steel /Polyacetal (POM) Finish Anodized /Clear Zinc Chromate
5	1 pc	Door End Cap (Upper Left)		<ul style="list-style-type: none"> Material ABS Colour Grey
6	1 pc	Door End Cap (Upper Right)		<ul style="list-style-type: none"> Material ABS Colour Grey
7	1 pc	Door End Cap (Lower Left)		<ul style="list-style-type: none"> Material ABS Colour Grey
8	1 pc	Door End Cap (Lower Right)		<ul style="list-style-type: none"> Material ABS Colour Grey
9	4 pcs	Glass Fixing Holding Gasket		<ul style="list-style-type: none"> Material Urethane Sponge Colour Black

No.	Qty	Part Name	Dimensions	Description
10	2 pcs	Connecting Pin		<ul style="list-style-type: none"> Material Stainless Steel
11	11 pcs (12 pcs)	Binding Head Tapping Screw 3.5x15	-	-

Qty: () is for MFS-G600/S3, MFS-G600/S4, MFS-G600/S5, MFS-G900/S5, MFS-G900/S6 and MFS-G900/S7.

*Made to order.

End Cap Set (Per Door)		Necessary Parts 1 set is necessary for 1 unit.	
Set Name	Item Code	Item Name	
End Cap Set	250-129-555	MFS-ED	

Parts Included

No.	Qty	Part Name	Dimensions	Description
12	1 pc	End Cap L		<ul style="list-style-type: none"> Material Steel Finish Grey
13	1 pc	End Cap R		<ul style="list-style-type: none"> Material Steel Finish Grey
14	1 pc	Lower Rail Cover L		<ul style="list-style-type: none"> Material ABS Finish Grey
15	1 pc	Lower Rail Cover R		<ul style="list-style-type: none"> Material ABS Finish Grey
16	4 pcs	Countersunk Head Tapping Screw 3.5x12	-	<ul style="list-style-type: none"> Material Stainless Steel

Optional Parts		Description																
No.	Item Code	Part Name	Description															
17	250-014-208	Holding Gasket (Glass Width 295 mm)	Gasket When connecting glasses by double tape, please order one set per glass. Select 17 - 20 depend on glass width.															
	MFS-PK300																	
18	250-014-209	Holding Gasket (Glass Width 445 mm)	Glass Protection Holding Gasket Gasket Material Ethylene Propylene Rubber (EPDM) Colour Gray															
	MFS-PK450																	
19	250-014-210	Holding Gasket (Glass Width 595 mm)	Glass Protection Holding Gasket Material Chloroprene Rubber (CR) Colour Black															
	MFS-PK600																	
20	250-014-211	Holding Gasket (Glass Width 895 mm)	Glass Protection Holding Gasket Material Chloroprene Rubber (CR) Colour Black															
	MFS-PK900																	
		<table border="1"> <thead> <tr> <th></th> <th>L1</th> <th>L2</th> </tr> </thead> <tbody> <tr> <td>17</td> <td>305</td> <td>275</td> </tr> <tr> <td>18</td> <td>455</td> <td>425</td> </tr> <tr> <td>19</td> <td>605</td> <td>575</td> </tr> <tr> <td>20</td> <td>905</td> <td>875</td> </tr> </tbody> </table>			L1	L2	17	305	275	18	455	425	19	605	575	20	905	875
	L1	L2																
17	305	275																
18	455	425																
19	605	575																
20	905	875																

WARDROBE & CABINET DOOR HARDWARE

FOR GLASS DOORS

MULTIPLE MOTION DOOR SYSTEM

FLUSH SLIDING DOOR SYSTEM

MFU-1000

MonoFlat UNISON®

Door Width	800 - 1000 mm
Door Height	Max. 2500 mm
Door Thickness	*28 - 30 mm
Door Weight	Max. 30 kg
Adjustability	Depth: ±3.5 mm
	Horizontal: ±4 mm
	Vertical: ±4 mm

*Can be used on door thicker than 30 mm by mortising hanging bracket into the door.

Features

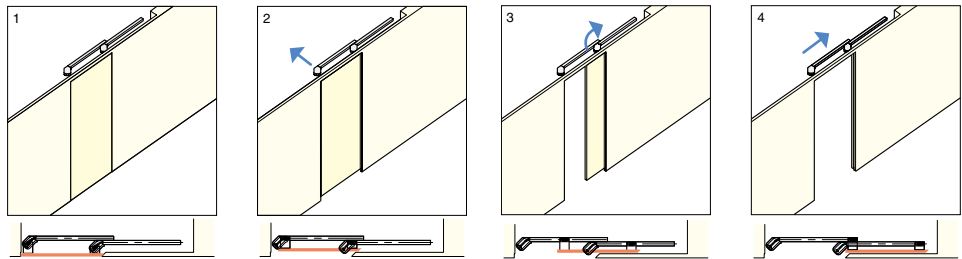
- Completely flush with surroundings, looks like it is just another part of the wall.
- Self-closing function pulls in door fully when it is close to closing.
- Easier installation due to reduced number of parts.
- Does not require a bottom rail. By using a bottom rail, door can be held more firmly.

WARDROBE & CABINET DOOR HARDWARE

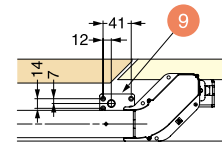
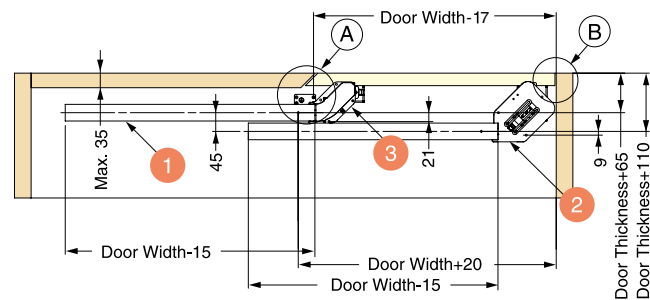
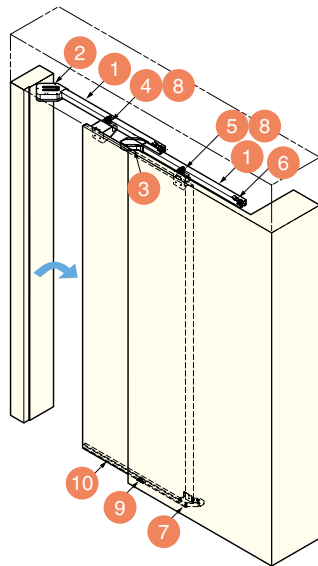
FLUSH SLIDING DOOR SYSTEM



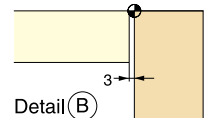
How the Door Moves



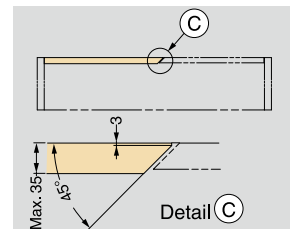
Installation



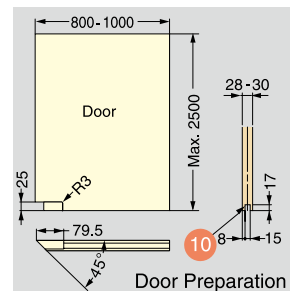
Detail (A)



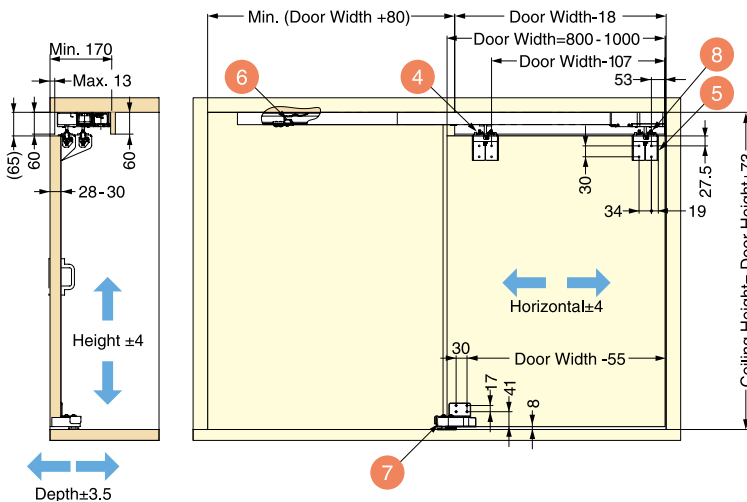
Detail (B)



Detail (C)



Door Preparation



Parts Set (Per Door) Necessary Parts

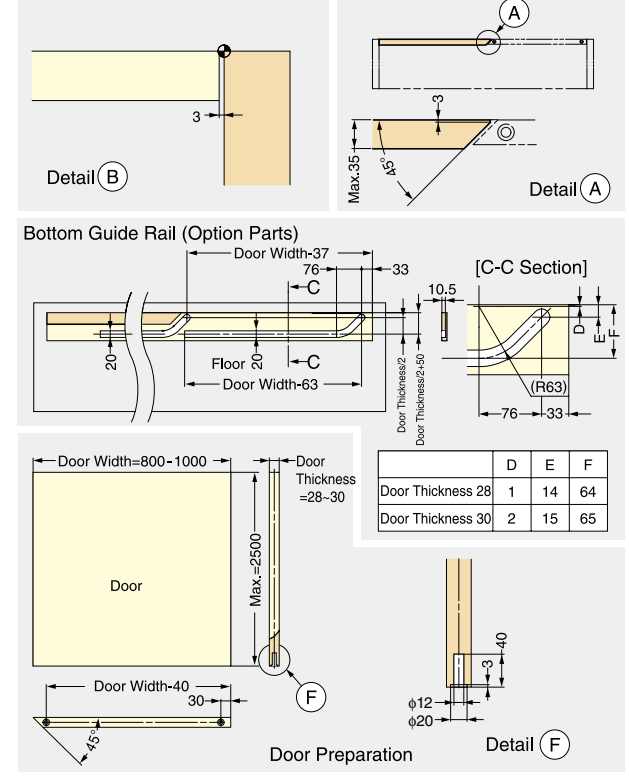
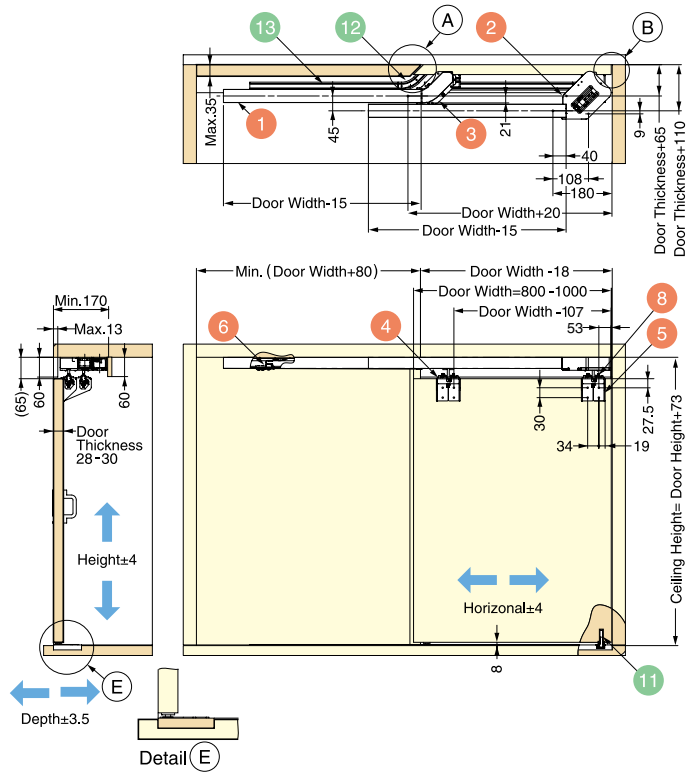
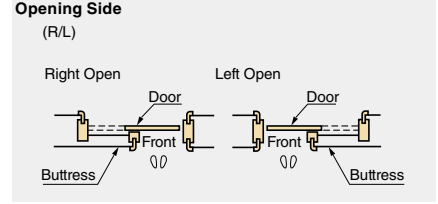
Item Code	Item Name	Description
250-022-021	MFU-1000-R	Door slides from Right to Left
250-022-022	MFU-1000-L	Door slides from Left to Right

No.	Qty	Part Name	Dimensions	Description
1	2 pcs	Upper Track		• Material Aluminium • Finish Anodized
2	1 pc	Guide Block		• Material Aluminium, Polycarbonate • Finish Silver White
3	1 pc	Guide Block		• Material Aluminium • Finish Silver
4	1 pc	Upper Bracket A		• Material Steel • Finish Chromate
5	1 pc	Upper Bracket B		• Material Steel • Finish Chromate

No.	Qty	Part Name	Dimensions	Description
6	1 pc	Stopper		• Material PBT / Steel • Finish White / Yellow Zinc Chromate
7	1 pc	Lower Guide		• Material Steel • Finish Chromate
8	2 pcs	Upper Roller		• Material POM / Steel • Finish Natural / Chromate
9	1 pc	Bottom Guide Pin		• Material Polyamide • Finish Yellow Zinc Chromate / Light Brown
10	1 pc	Guide Track		• Material Aluminium • Finish Anodized

Optional Parts For floor mounted recessed guide track.

Item Code	Item Name	Description	Parts Included
250-023-148	MFU-1000RG-SL-R	Door slides from Right to Left	11 2pcs 12 2pcs 13 2pcs
250-023-149	MFU-1000RG-SL-L	Door slides from Left to Right	11 2pcs 12 2pcs 13 2pcs





LIN-X450, LIN-X600

MONOFLAT LIN-X HINGE

MonoFlat LIN-X hinge®



	LIN-X450	LIN-X600
Door Width	400 - 500 mm	550 - 650 mm
Door Height	600 - 2400 mm	
Door Thickness	15 - 24 mm	
Door Weight	Max. 17 kg/Door	Max. 24 kg/Door
Overlay	19 mm	

Features

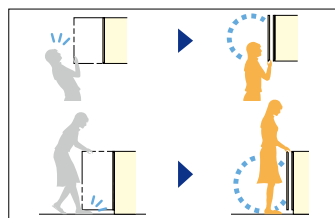
When opening or opened, cabinet doors will not get in the way. Unique and innovative design.

- Overlay installation that is flush with wall on both sides.
- Full access to cabinet interior: door will not get in the way when fully opened.
- Smooth operation: door is easy to move with little resistance no matter the position.
- Soft-closing: built-in damper makes door close gently, preventing slamming.
- Easy installation: Snap-in type installation. Same type of surface installation as concealed hinge mounting plate.
- Various applications including corner doors, double doors, overlapping doors.

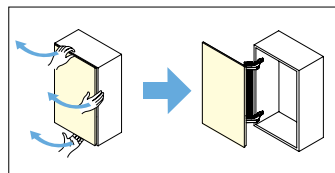
WARDROBE & CABINET DOOR HARDWARE



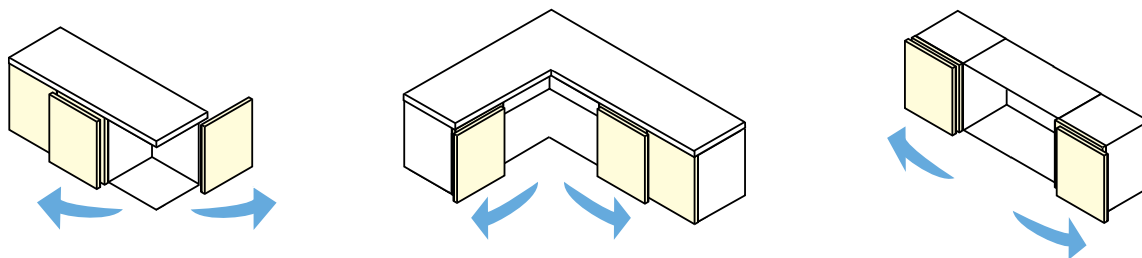
MONOFLAT LIN-X HINGE



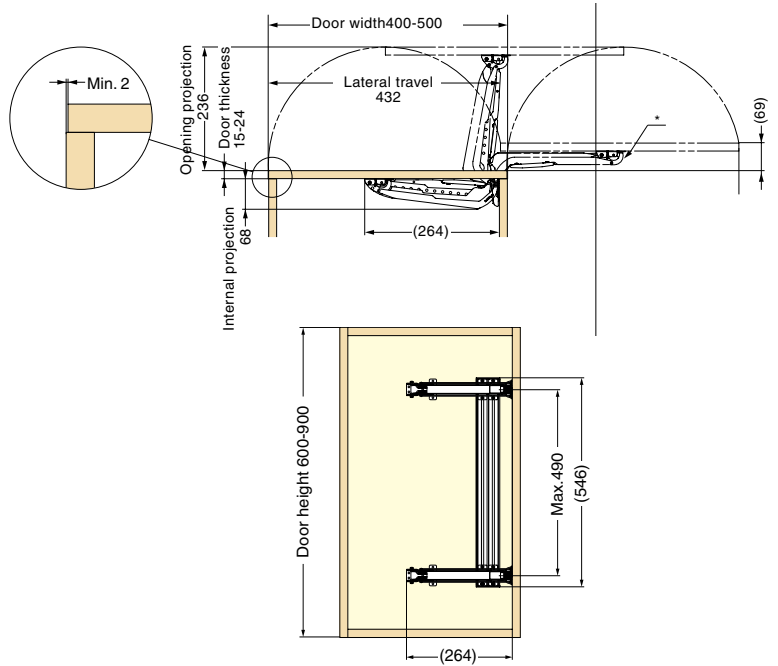
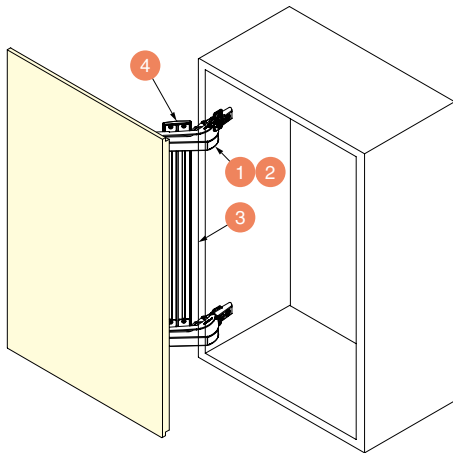
• Swing door laterally



• Free swing



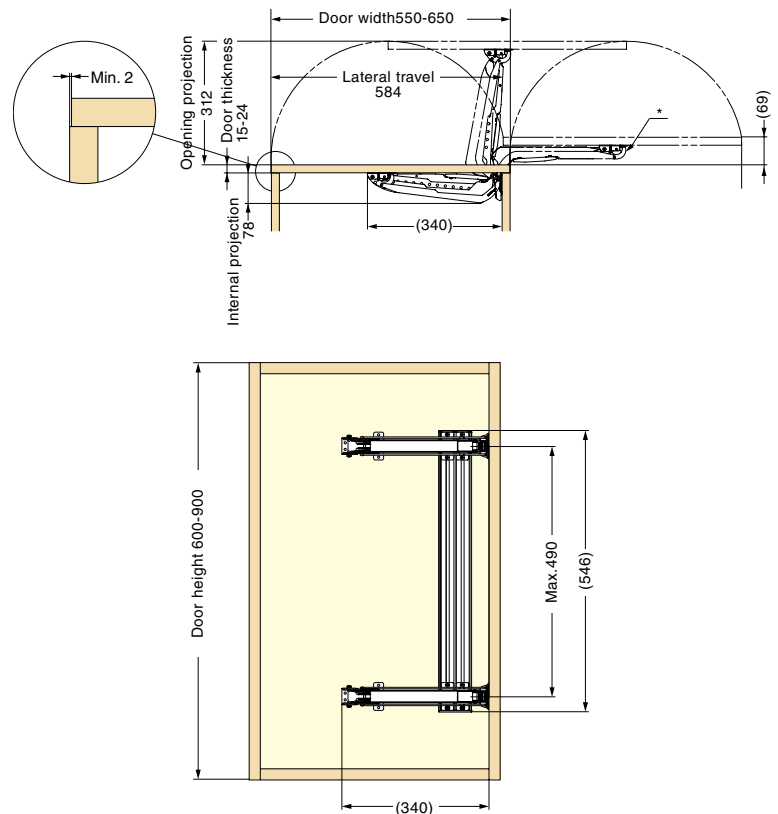
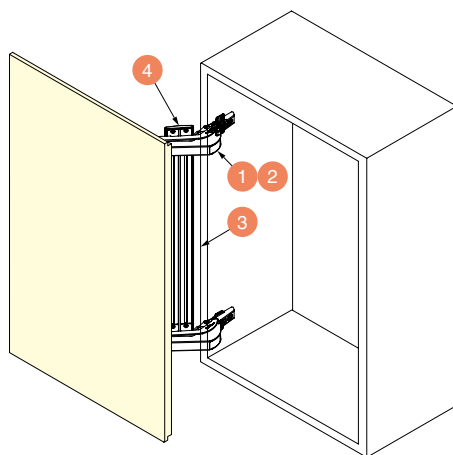
LIN-X450 Standard Kit



Door Width	400-500 mm
Door Height	600-900 mm
Door Thickness	15-24 mm
Door Weight	Max. 7 kg / Door

Item Code	Item Name	Overlay	Mounting Plate	Material	Finish	Weight	Box	Carton
250-014-240	LIN-X450	19 mm	230-P4W-32T	Steel/Aluminium	Nickel/Anodized	2.2 kg	1 set	6 sets
250-014-553	LIN-X450+5	14 mm	230-P4W-32T+5	Steel/Aluminium	Nickel/Anodized	2.2 kg	1 set	6 sets

LIN-X600 Standard Kit



Door Width	550-650 mm
Door Height	600-900 mm
Door Thickness	15-24 mm
Door Weight	Max. 9 kg / Door

Item Code	Item Name	Overlay	Mounting Plate	Material	Finish	Weight	Box	Carton
250-017-590	LIN-X600	19 mm	230-P4W-32T	Steel/Aluminium	Nickel/Anodized	3.2 kg	1 set	6 sets

WARDROBE & CABINET DOOR HARDWARE

MONOFLAT LIN-X HINGE

LIN-X450 Individual Parts for Tall/Heavy Door

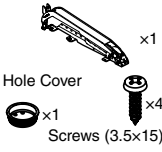
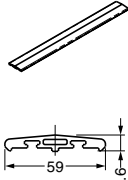
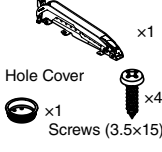
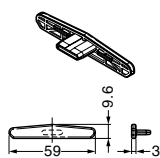
Parts Set
(Per Door)

Necessary Parts

Please refer to parts included in each set.

Item Code	Item Name	Door Height	Door Weight	Parts Included			
				Hinge Set (With Damper) Item Name : LIN-X450ACD	Hinge Set (Without Damper) Item Name : LIN-X450A	Connecting Bar Item Name : LIN-X45-Lxxx	End Cap For Connecting Bar Item Name : LIN-X45C
250-016-704	LIN-X450S-1210	901-1200 mm	7.1-10.5 kg	3 sets	-	840 mm x 1 pc	2 pcs
250-016-705	LIN-X450S-1214		10.6-14 kg	3 sets	1 set		2 pcs
250-016-707	LIN-X450S-1510	1201-1500 mm	7.1-10.5 kg	3 sets	-	1140 mm x 1 pc	2 pcs
250-016-708	LIN-X450S-1514		10.6-14 kg	3 sets	1 set		2 pcs
250-016-709	LIN-X450S-1517		14.1-17 kg	3 sets	2 sets		2 pcs
250-016-711	LIN-X450S-1810		7.1-10.5 kg	3 sets	-		2 pcs
250-016-712	LIN-X450S-1814	1501-1800 mm	10.6-14 kg	3 sets	1 set	1440 mm x 1 pc	2 pcs
250-016-713	LIN-X450S-1817		14.1-17 kg	3 sets	2 sets		2 pcs
250-016-716	LIN-X450S-2110	1801-2100 mm	7.1-10.5 kg	3 sets	-	1740 mm x 1 pc	2 pcs
250-016-717	LIN-X450S-2114		10.6-14 kg	3 sets	1 set		2 pcs
250-016-718	LIN-X450S-2117		14.1-17 kg	3 sets	2 sets		2 pcs
250-016-723	LIN-X450S-2414		10.6-14 kg	3 sets	1 set		2 pcs
250-016-724	LIN-X450S-2417	2101-2400 mm	14.1-17 kg	3 sets	2 sets	2040 mm x 1 pc	2 pcs

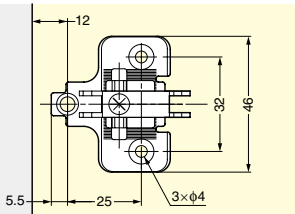

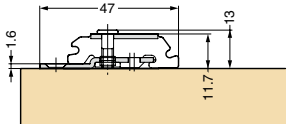

Parts Included

No.	Part Name	Description	No.	Part Name	Description
1	Hinge Body with Damper	 <p>Item Code : 250-016-240 Part Name : LIN-X450ACD</p> <ul style="list-style-type: none"> Material: Steel Finish: Nickel 	3	Connecting Bar	 <p>Item Code : 250-016-250 Part Name : LIN-X45-L540</p> <p>Item Code : 250-016-252 Part Name : LIN-X45-L840</p> <p>Item Code : 250-016-254 Part Name : LIN-X45-L1140</p> <p>Item Code : 250-016-255 Part Name : LIN-X45-L1440</p> <p>Item Code : 250-016-256 Part Name : LIN-X45-L1740</p> <p>Item Code : 250-016-259 Part Name : LIN-X45-L2040</p> <ul style="list-style-type: none"> Material: Aluminium Alloy Finish: Anodized
2	Hinge Body without Damper	 <p>Item Code : 250-016-242 Part Name : LIN-X450A</p> <ul style="list-style-type: none"> Material: Steel Finish: Nickel 	4	End Cap for Connecting Bar	 <p>Item Code : 250-016-260 Part Name : LIN-X45C</p> <ul style="list-style-type: none"> Material: Polyacetal (POM) Color: Grey

Mounting Plate

Necessary Parts

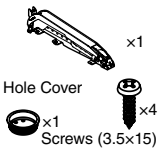
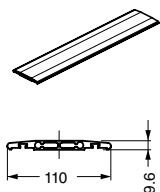
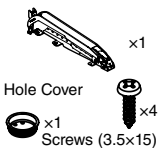
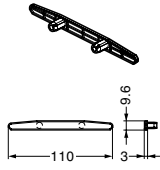
Same qty as hinge is necessary.

Item Code	Part Name	Dimensions	Description
160-070-041	Mounting Plate		<ul style="list-style-type: none"> Material: Steel Finish: Nickel <p>Same quantity with hinge is necessary.</p>
230-P4W-32T			<ul style="list-style-type: none"> Material: Steel Finish: Nickel <p>Same quantity with hinge is necessary.</p>
160-070-030	Raised Countersunk Head Tapping Screw 3.5x15	 <p>x3 per mounting plate</p>	<ul style="list-style-type: none"> Material: Steel Finish: Nickel
TAP3515NI			

LIN-X600 Individual Parts for Tall/Heavy Door


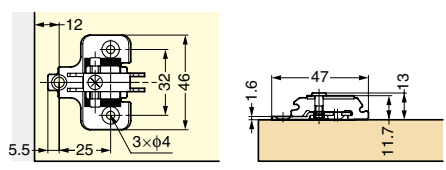

Parts Set (Per Door)		Necessary Parts Please refer to parts included in each set.					
Item Code	Item Name	Door Height	Door Weight	Parts Included			
				Hinge Set (With Damper) Item Name : LIN-X600ACD	Hinge Set (Without Damper) Item Name : LIN-X600A	Connecting Bar Item Name : LIN-X60-Lxxx	End Cap For Connecting Bar Item Name : LIN-X60C
250-017-068	LIN-X600S-1212	901-1200 mm	Less than 12 kg	2 sets	-	840 mm x 1 pc	2 pcs
250-017-069	LIN-X600S-1216		12.1-16 kg	3 sets	-		2 pcs
250-017-071	LIN-X600S-1516	1201-1500 mm	Less than 16 kg	3 sets	-	1140 mm x 1 pc	2 pcs
250-017-072	LIN-X600S-1520		16.1-20 kg	3 sets	1 set		2 pcs
250-017-074	LIN-X600S-1816	1501-1800 mm	Less than 16 kg	3 sets	-	1440 mm x 1 pc	2 pcs
250-017-075	LIN-X600S-1820		16.1 kg-20 kg	3 sets	1 set		2 pcs
250-017-493	LIN-X600S-1824		20.1-24 kg	3 sets	2 sets		2 pcs
250-017-077	LIN-X600S-2116	1801-2100 mm	Less than 16 kg	3 sets	-	1740 mm x 1 pc	2 pcs
250-017-078	LIN-X600S-2120		16.1 kg-20 kg	3 sets	1 set		2 pcs
250-017-079	LIN-X600S-2124		20.1-24 kg	3 sets	2 sets		2 pcs
250-017-082	LIN-X600S-2420	2101-2400 mm	Less than 20 kg	3 sets	1 set	2040 mm x 1 pc	2 pcs
250-017-083	LIN-X600S-2424		20.1-24 kg	3 sets	2 sets		2 pcs

Parts Included

No.	Part Name	Description	No.	Part Name	Description
1	Hinge Body with Damper 	Item Code : 250-016-962 Part Name : LIN-X600ACD • Material Steel • Finish Nickel	3	Connecting Bar 	Item Code : 250-016-964 Part Name : LIN-X60-L540 Item Code : 250-016-965 Part Name : LIN-X60-L840 Item Code : 250-016-966 Part Name : LIN-X60-L1140 Item Code : 250-016-967 Part Name : LIN-X60-L1440 Item Code : 250-016-968 Part Name : LIN-X60-L1740 Item Code : 250-016-969 Part Name : LIN-X60-L2040 • Material Aluminium Alloy • Finish Anodized
2	Hinge Body without Damper 	Item Code : 250-016-963 Part Name : LIN-X600A • Material Steel • Finish Nickel	4	End Cap for Connecting Bar 	Item Code : 250-016-970 Part Name : LIN-X60C • Material Polyacetal (POM) • Colour Grey

WARDROBE & CABINET DOOR HARDWARE

MONOFLAT LIN-X HINGE

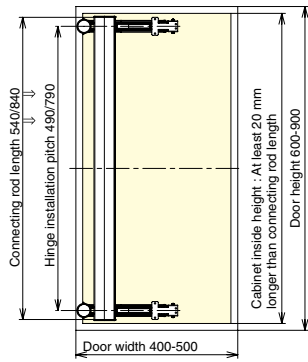
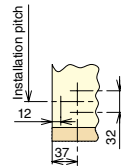
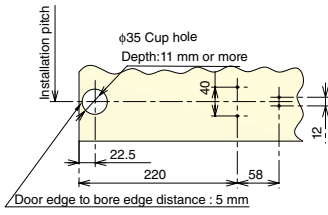
Mounting Plate		Necessary Parts Same qty as hinge is necessary.	
Item Code	Part Name	Dimensions	Description
160-070-041	Mounting Plate 		• Material Steel • Finish Nickel *Same quantity with hinge is necessary.
160-070-030	Raised Countersunk Head Tapping Screw 3.5x15 	x3 per mounting plate	• Material Steel • Finish Nickel

Hinge Installation Pitch and Other Dimensions

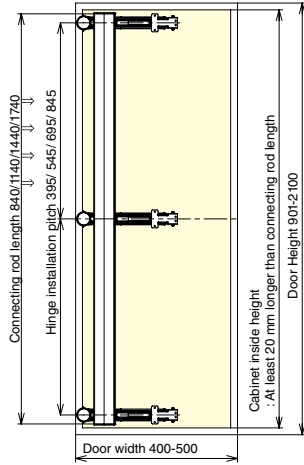
LIN-X450

Door Preparation

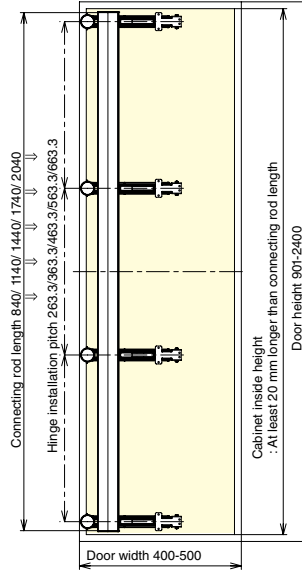
Cabinet Preparation



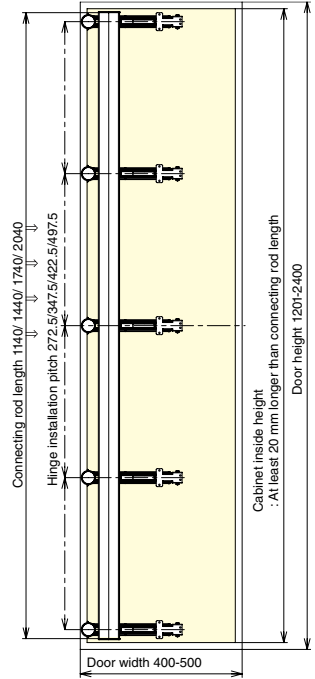
2 Hinges per door
 (① LIN-X450ACD : 2 pcs)



3 Hinges per door
 (① LIN-X450ACD : 3 pcs)



4 Hinges per door
 (① LIN-X450ACD : 3 pcs)
 (② LIN-X450A : 1 pc)
 *Please install the ② to the second place from the bottom.



5 Hinges per door
 (① LIN-X450ACD : 3 pcs)
 (② LIN-X450A : 2 pcs)
 *Please install the ② to the 2nd and 3rd place from the bottom.

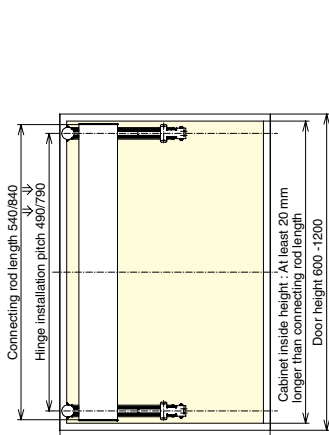
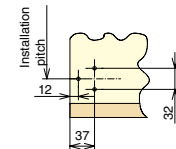
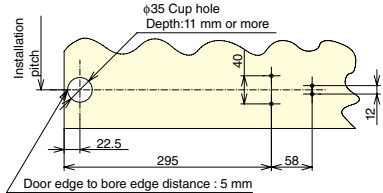
WARDROBE & CABINET DOOR HARDWARE

Hinge Installation Pitch and Other Dimensions

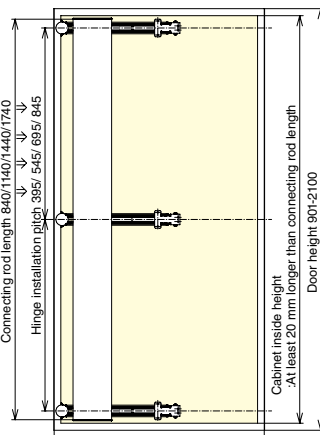
LIN-X600

Door Preparation

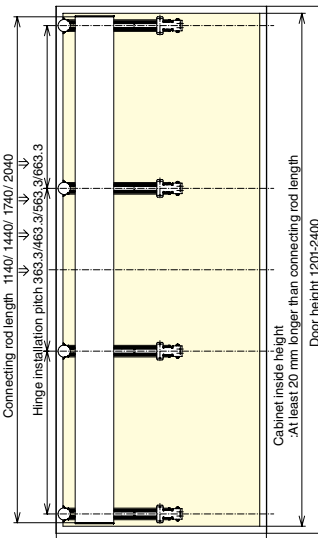
Cabinet Preparation



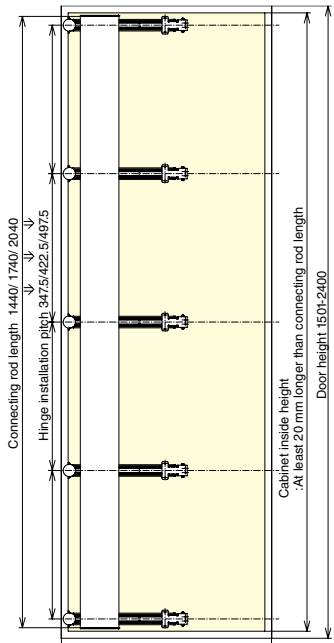
2 Hinges per door
 (① LIN-X600 ACD : 2 pcs)



3 Hinges per door
 (① LIN-X600 ACD : 3 pcs)



4 Hinges per door
 (① LIN-X600 ACD : 3 pcs)
 (② LIN-X600 A : 1 pc)
 *Please install the ② to the 2nd place from the bottom.



5 Hinges per door
 (① LIN-X600 ACD : 3 pcs)
 (② LIN-X600 A : 2 pcs)
 * Please install the ② to the 2nd and 3rd place from the bottom.

MONOFLAT LIN-X HINGE

MONOFLAT LIN-X HINGE (HEAVY DUTY)



LIN-X1000



MonoFlat LIN-X hinge®

	LIN-X1000
Door Width	750 - 1100 mm
Door Height	Max. 2980 mm
Door Thickness	24 - 40 mm
Door Weight	Max. 90 kg/Door

Features

- Unique lateral swinging movement.
- Swings out in small radius. Closes flush.
- Full access to cabinet interior: door will not get in the way when fully opened.
- Easier installation due to simplification of components.
- Free-stop: holds position at desired location within its open radius.
- Soft-closing: built-in damper slows down door near closing radius, preventing slamming.
- 4way post-installation adjustment: vertical (± 7 mm), horizontal (± 7 mm), depth (± 5 mm) and parallel ($\pm 3^\circ$).
- Good Design Show winner 2016
- Reddot Product Design winner 2017
- Passed 100,000 open/close cycles in a private test.

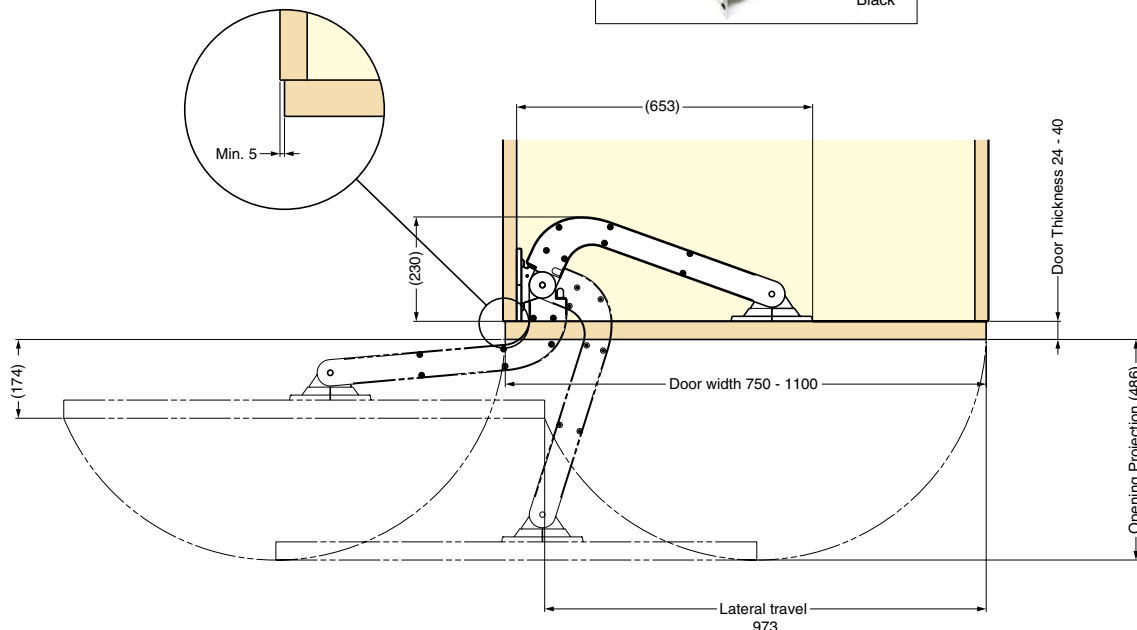
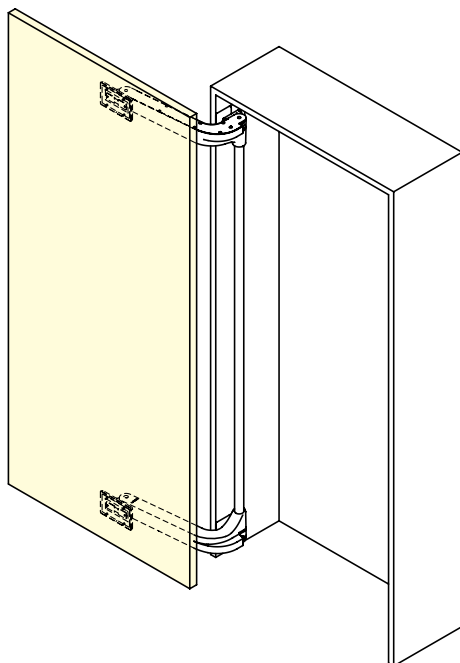
Parts Included

Truss head tapping screw 6x25 (16 pieces)

Applicable Door Load Capacity

Open/Close cycles	Door sagging	
	3 mm	5 mm
60,000	70 kg	90 kg
80,000	50 kg	80 kg
100,000	40 kg	70 kg

Colour variation



WARDROBE & CABINET DOOR HARDWARE

MONOFLAT LIN-X HINGE (HEAVY DUTY)

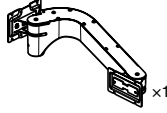
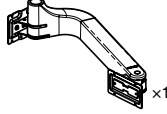
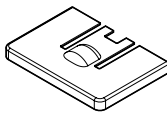
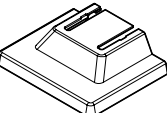
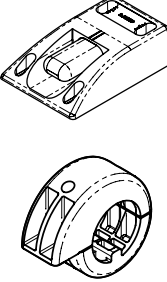


Parts Set (Per Door) **Necessary Parts**

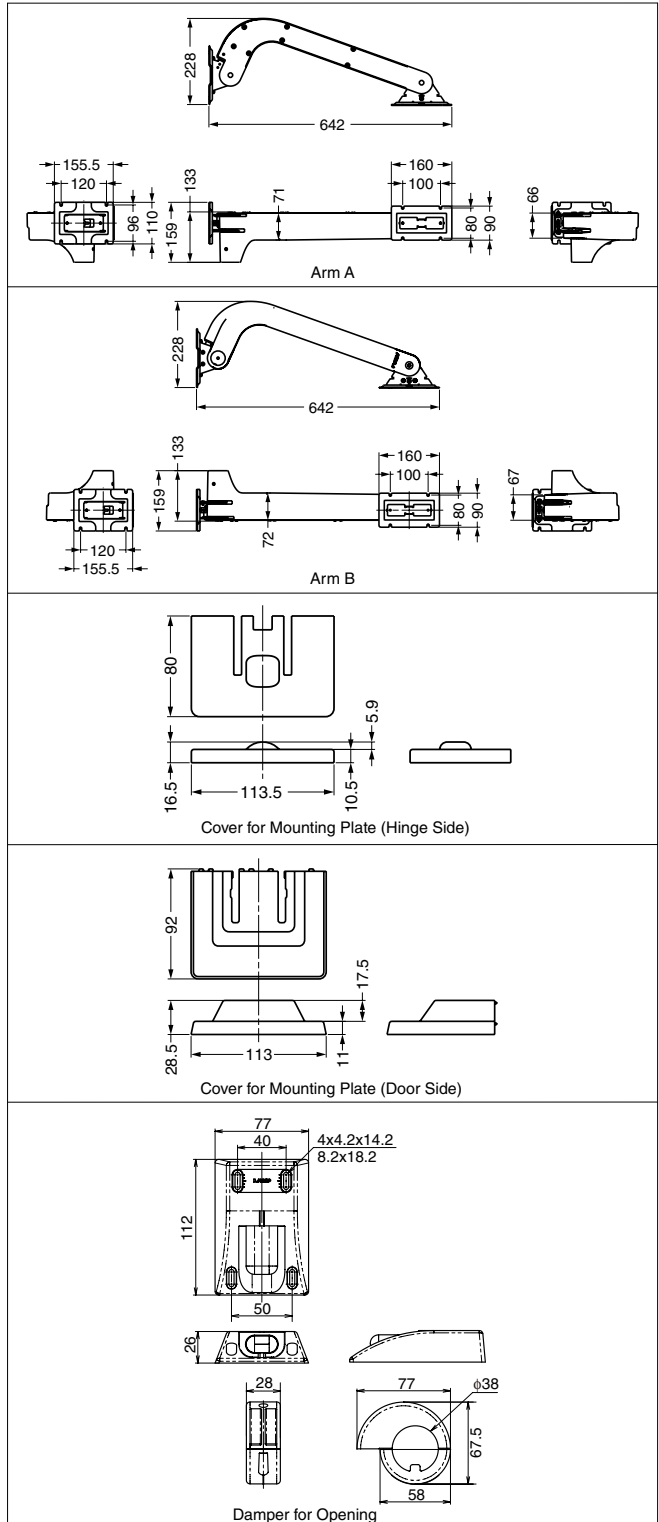
Item Code	Item Name
250-034-706	*LIN-X1000-WT
250-042-288	LIN-X1000-BL

Parts Included

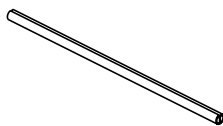
*The item name has been changed.

No.	Qty	Part Name	Description
1	1 pc	 Arm A	<ul style="list-style-type: none"> Material Aluminium Alloy Finish Powder Coating/ White/Black
2	1 pc	 Arm B	<ul style="list-style-type: none"> Material Aluminium Alloy Finish Powder Coating/ White/Black
3	4 pcs	 Cover for Mounting Plate (Hinge Side)	<ul style="list-style-type: none"> Material ABS Resin Finish White/Black
4	4 pcs	 Cover for Mounting Plate (Door Side)	<ul style="list-style-type: none"> Material ABS Resin Finish White/Black
5	1 pc	 Damper for Opening	<ul style="list-style-type: none"> Material PBT Resin Finish White/Black

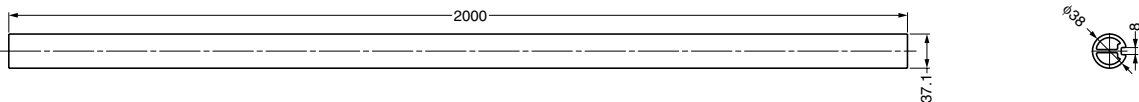
Parts Drawing



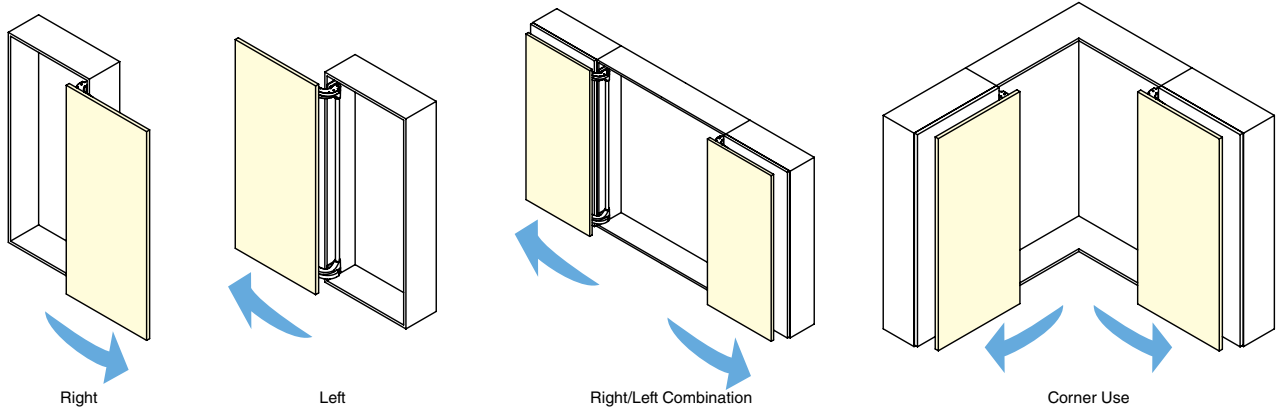
Connecting Bar Necessary Parts

No.	Qty	Part Name	Item Code	Item Name	Description
5	1 pc	 Connecting Bar	250-034-707	*LIN-X100-L2000-WT	<ul style="list-style-type: none"> Material Aluminium Extrusion Finish White Anodized
			250-042-289	LIN-X100-L2000-BL	<ul style="list-style-type: none"> Material Aluminium Extrusion Finish Black Anodized

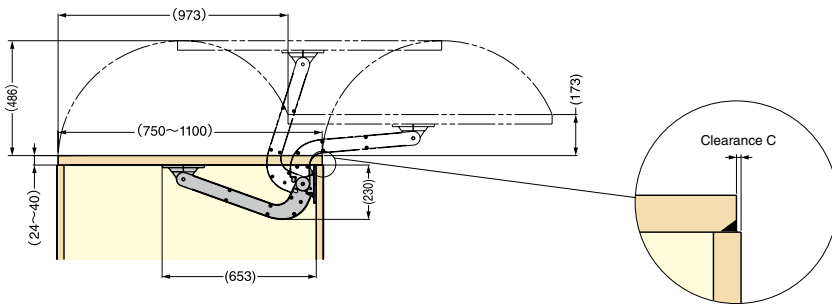
*The item name has been changed.



Various Applications



Door arc



*Please adjust Clearance C depending on the handle position.
For detail, refer to a manual.

Installation

Handle position should be installed within the area shown in Table 1.

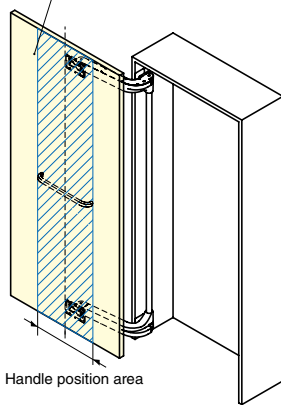
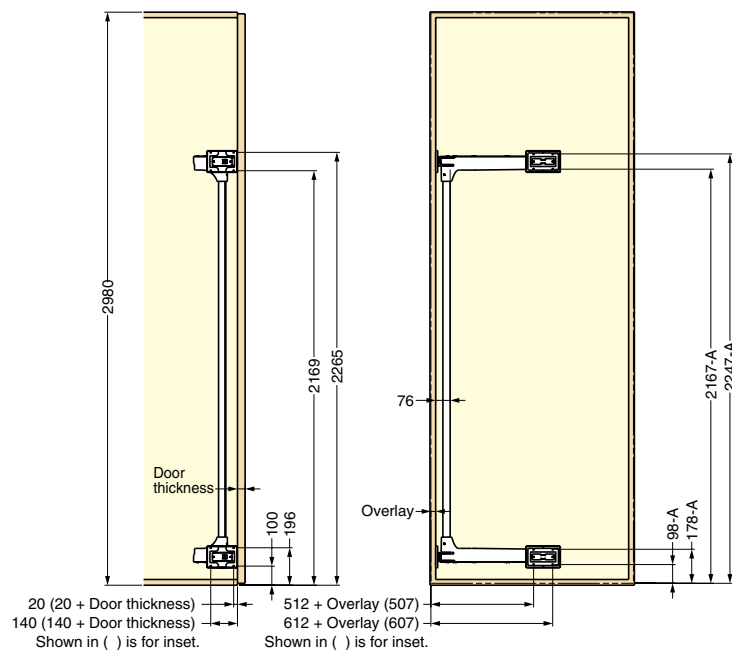
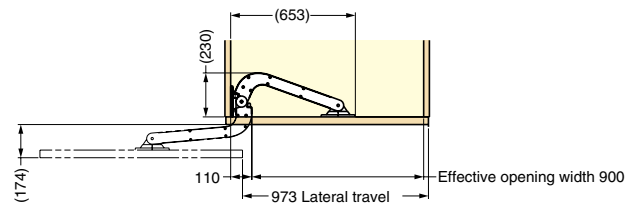


Table 1 : Handle position area [mm]

Door width	Clearance C		
	10	15	20
750-900	Max.300	Max.350	Max.500
900-1000	Max.200	Max.250	Max.400
1000-1100	Max.100	Max.150	Max.300

*Door thickness : 40mm
*Handle position area is centered on the door width.



The table below shows the adjustment factor A depending on the door weight. Ensure that you adjust according to your door weight.

Door weight	Adjustment factor A
20kg	2mm
30kg	3.5mm
40kg	5mm
50kg	6.5mm
60kg	8mm
70kg	9.5mm
80kg	11mm
90kg	12.5mm

*If you use a thick carpet, ensure that there is enough clearance for free movement of the door.
*A ± 7mm height adjustment is possible after installation. For detail, please refer to a manual.

A: Adjustment factor

MONOFLAT FAD (FOR SMALL SIZE CABINET)

FAD-5

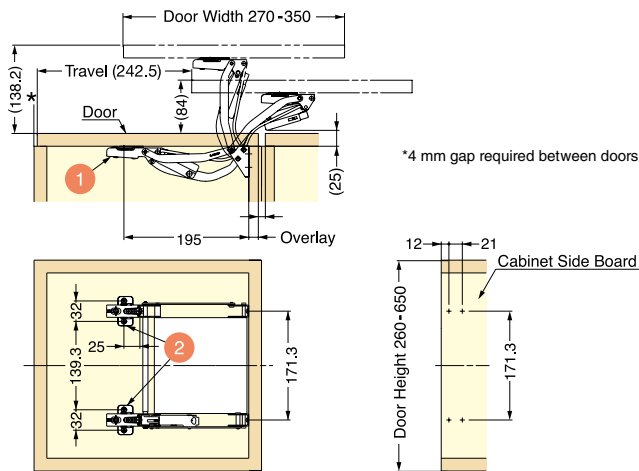
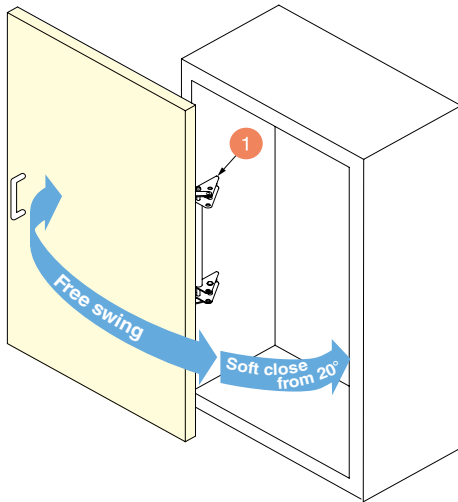


MonoFlat FAD®

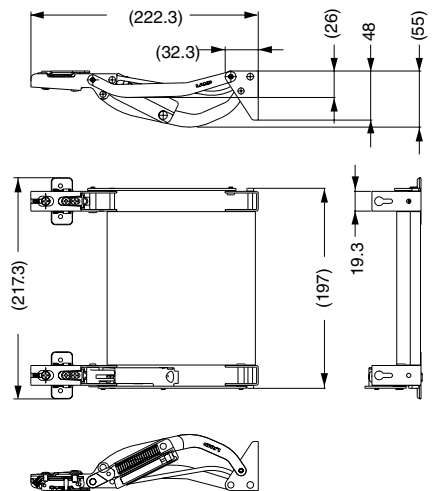
Door Width	270-350 mm
Door Height	260-650 mm
Door Thickness	15-20 mm
Door Weight	Max. 5 kg/Door

Features

- Lateral swinging system for smaller cabinets with an overlay installation.
- Smaller opening radius than swing open doors. Does not get in the way after being opened.
- Doors close gently and quietly.
- 3way adjustment post-installation: vertical(±3mm), horizontal(±2.5mm), parallel (5°).
- Great solution for kitchen, bathroom and laundry room cabinets.
- Various types of installations: Can be used on single or double doors.



Hinge Dimensions



Parts Set (Per Door)

Necessary Parts

Item Code	Item Name
250-016-605	FAD-5

Parts Included

No.	Qty	Part Name	Drawing	Description	No.	Qty	Part Name	Drawing	Description
1	1 pc	Hinge Body		As above. • Material Aluminium Alloy /Polyacetal(POM) /Steel • Finish Anodized Silver /Grey/Nickel	2	2 pcs	Mounting Plate		Item Code : 160-070-041 Part Name : 230-P4W-32T • Material Steel • Finish Nickel

WARDROBE & CABINET DOOR HARDWARE

MONOFLAT FAD (FOR SMALL SIZE CABINET)

MONOFLAT FAD (FOR MEDIUM SIZE CABINET)

FAD-20



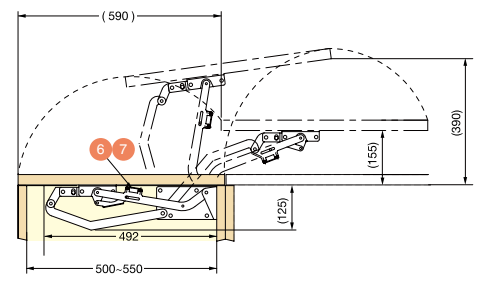
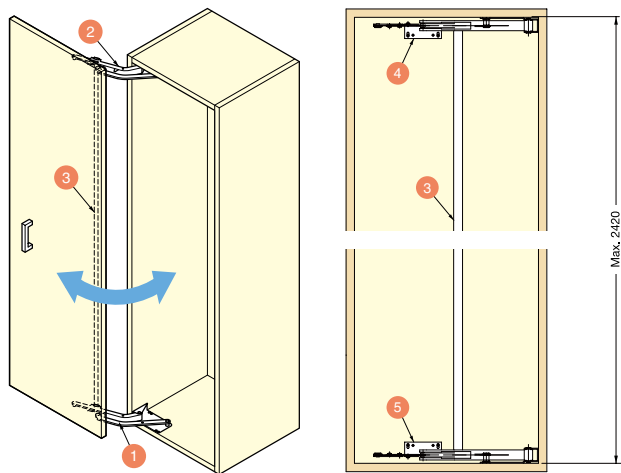
MonoFlat FAD®

Inside Cabinet Width	500 - 550 mm
Inside Cabinet Height	Max. 2420 mm
Door Thickness	Max. 35 mm
Door Weight	Max. 20 kg/Door

Features

- Lateral swing system for medium-sized cabinets with an overlay installation.
- Smaller opening radius than swing open doors. Does not get in the way after being opened.
- Uses a gas spring to make opening and closing smooth with little resistance.
- Holds door firmly in fully opened and fully closed positions.
- Various types of installations: Can be used on single or double doors.

WARDROBE & CABINET DOOR HARDWARE



Item Code	Item Name
250-180-908	FAD-20

Parts Details

No.	Qty	Part Name	Dimensions	Description
1	1 pc	Arm A		<ul style="list-style-type: none"> • Material Aluminium Alloy/Steel • Finish Matte Silver
2	1 pc	Arm B		<ul style="list-style-type: none"> • Material Aluminium Alloy/Steel • Finish Matte Silver
3	1 pc	Connecting Pipe		<ul style="list-style-type: none"> • Material Steel • Finish Matte Silver
4	1 pc	Upper Bracket		<ul style="list-style-type: none"> • Material Steel • Finish Matte Silver

No.	Qty	Part Name	Dimensions	Description
5	1 pc	Lower Bracket		<ul style="list-style-type: none"> • Material Steel • Finish Matte Silver
6	2 pcs	Pipe Clamp		<ul style="list-style-type: none"> • Material Steel • Finish Matte Silver
7	2 pcs	Cap		<ul style="list-style-type: none"> • Material Polyethylene (PE) • Colour Black
8	1 pc	Sticker	-	-

MONOFLAT FAD (FOR MEDIUM SIZE CABINET)



MONOFLAT FAD (FOR LARGE SIZE CABINET)



FAD-44



MonoFlat FAD®

	FAD-44	FAD-44L
Door Width	800 - 850 mm*1	
Door Height	Max. 2380 mm	Max. 2980 mm
Door Thickness	24 - 38 mm	
Door Weight	Max. 35 kg/Door	

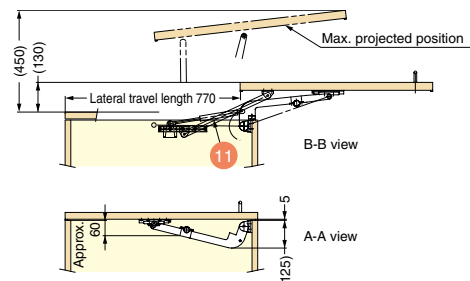
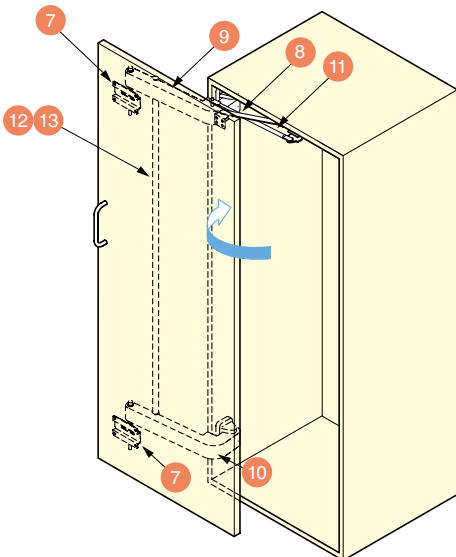
*1 Cabinet inner width 750 - 800 mm and overlay 25 mm.

Features

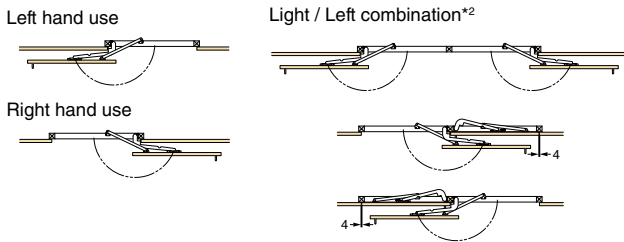
- Lateral swing system for full-sized cabinets with an overlay installation.
- Doors close flush with neighboring walls or doors for a clean and sleek appearance.
- Smaller opening radius than swing open doors. Does not get in the way after being opened.
- No need to do any processing on the bottom of the cabinet.
- Height can be adjusted by cutting the arm connector.
- Uses a gas spring to make opening and closing smooth with little resistance.
- Holds door firmly in fully opened and fully closed positions.
- Can be adjusted vertically (-3/+7 mm) and horizontally (+/- 7 mm) post installation.
- For wooden frames. FAD-54 is a similar product for aluminium frames.

WARDROBE & CABINET DOOR HARDWARE

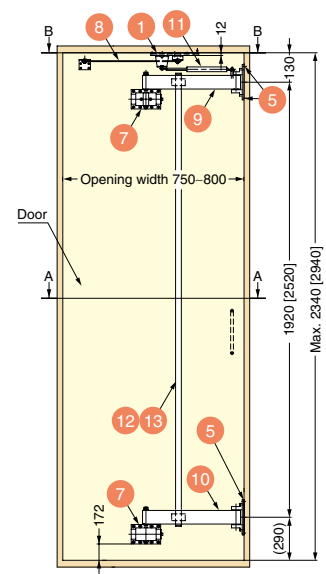
MONOFLAT FAD (FOR LARGE SIZE CABINET)



Opening Variations (Single / Double Doors)



*2 Vertical frame or door stoppers on floor for both doors required in center.



Dimension in [] shows FAD-44L.



Parts Set (Per Door)		Necessary Parts	
		Please choose a or b depending on your door height.	
Set Name	Item Code	Item Name	
a Parts Set (Max. Door Height 2380 mm)	250-121-312	FAD-44	
b Parts Set (Max. Door Height 2980 mm)	250-021-950	FAD-44L	

Parts Details

No.	Qty		Part Name	Dimensions	Description
	a	b			
1	1 pc	1 pc	Gas Spring Bracket		<ul style="list-style-type: none"> Material Steel Finish Clear Zinc Chromate
2	1 pc	1 pc	Screw Pin		<ul style="list-style-type: none"> Material Steel Finish Clear Zinc Chromate
3	1 pc	1 pc	Channel Rail		<ul style="list-style-type: none"> Material Steel Finish Nickel
4	1 pc	1 pc	Support Arm Square Nut Gas Spring Square Nut		<ul style="list-style-type: none"> Material Steel Finish Clear Zinc Chromate
5	4 pcs	4 pcs	Bearing Housing		<ul style="list-style-type: none"> Material Aluminium Alloy Finish/Colour Silver
6	2 pcs	2 pcs	Hinge Base Plate		<ul style="list-style-type: none"> Material Zinc Alloy (ZDC) Finish/Colour Silver
7	2 pcs	2 pcs	Adjustment Bracket		<ul style="list-style-type: none"> Material Steel, Polyacetal (POM) Colour Silver
8	1 pc	1 pc	Support Arm		<ul style="list-style-type: none"> Material Steel, Polyacetal (POM) Finish/Colour Silver
9	1 pc	1 pc	Upper Arm		<ul style="list-style-type: none"> Material Aluminium Alloy Finish/Colour Silver

No.	Qty		Part Name	Dimensions	Description
	a	b			
10	1 pc	1 pc	Lower Arm		<ul style="list-style-type: none"> Material Aluminium Alloy Finish/Colour Silver
11	1 pc	1 pc	Gas Spring		<ul style="list-style-type: none"> Colour Grey
12	1 pc	-	Arm Connecting & Clamp (Pipe Length 1990 mm for FAD-44)		<ul style="list-style-type: none"> Material Steel Finish/Colour Silver
13	-	1 pc	Arm Connecting & Clamp (Pipe Length 2600 mm for FAD-44L)		<ul style="list-style-type: none"> Material Steel Finish/Colour Silver
14	1 pc	1 pc	Clear Bumper		<p>Item Code : 210-030-639</p> <p>Part Name : BS-36</p> <ul style="list-style-type: none"> Material Polyurethane (PUR) Finish Clear
15	1 pc	1 pc	Strip Brush		<ul style="list-style-type: none"> Colour Grey

WARDROBE & CABINET DOOR HARDWARE

MONOFLAT FAD (FOR LARGE SIZE CABINET)

MONOFLAT FAD (FOR PARTITION USE)



FAD-54



MonoFlat FAD®

	FAD-54	FAD-54L
Door Width	800 - 850 mm*1	
Door Height	Max. 2380 mm	Max. 2980 mm
Door Thickness	24 - 38 mm	
Door Weight	Max. 35 kg/Door	
Specification	Single Door, Double Door & Corner Door	

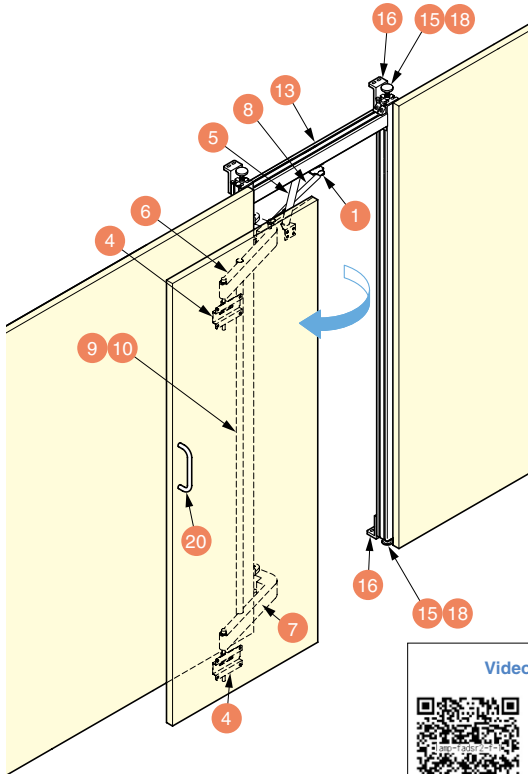
*1 When overlay is 25 mm both sides.

Features

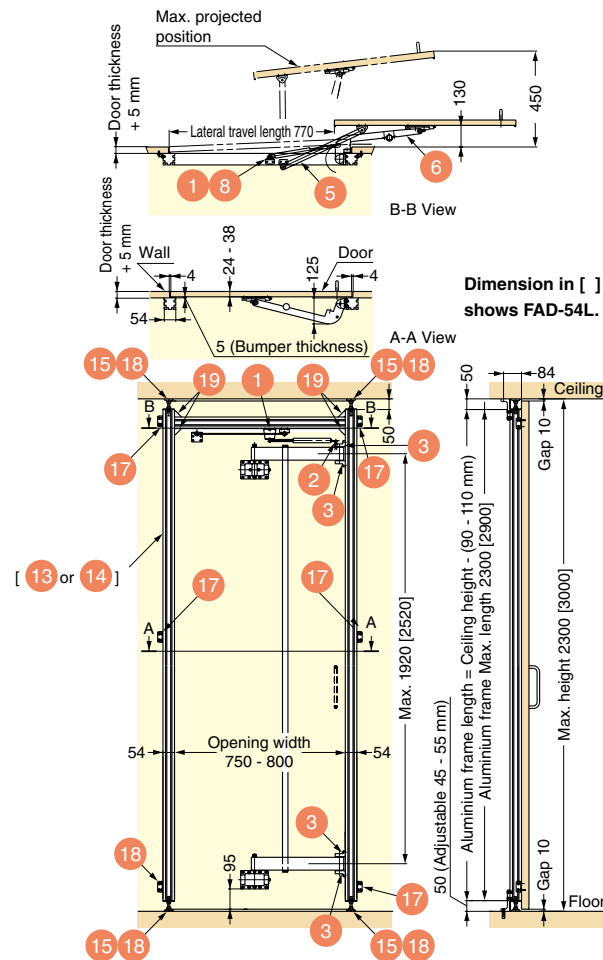
- For aluminium frames.
- Opens fully to allow easy access. Closes flush with surroundings for a clean appearance.
- Smaller opening radius than swing open doors. Does not get in the way after being opened.
- Equipped with damper for soft closing, preventing slamming.
- No need to do any processing on the bottom of the cabinet.
- Height can be adjusted by cutting the arm connector.
- Can be adusted vertically (-3/+7 mm) and horizontally (+/- 7 mm) post installation.
- Uses a gas spring to make opening and closing smooth with little resistance.
- Holds door firmly in fully opened and fully closed positions.

WARDROBE & CABINET DOOR HARDWARE

MONOFLAT FAD (FOR PARTITION USE)



Video Link



Opening Variations (Single / Double Door)

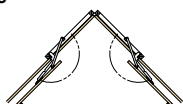
Left hand use



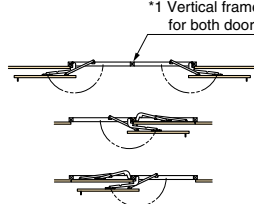
Right hand use



Corner use



Right / Left combination¹



*1 Vertical frame or door stoppers on floor for both doors required in centre.



Parts Set (Per Door)		Necessary Parts	
		Please refer to "Qty [a] - [b]" for parts included in each set.	
Set Name	Item Code	Item Name	
a Parts Set (Max. Door Height 2380 mm)	250-121-314	FAD-54	
b Parts Set (Max. Door Height 2980 mm)	250-021-876	FAD-54L	

Parts Included

No.	Qty		Part Name	Dimensions	Description
	a	b			
1	1 pc	1 pc	Gas Spring Bracket		<ul style="list-style-type: none"> Material Steel Finish Clear Zinc Chromate
2	1 pc	1 pc	Screw Pin		<ul style="list-style-type: none"> Material Steel Finish Clear Zinc Chromate
3	4 pcs	4 pcs	Bearing Housing		<ul style="list-style-type: none"> Material Aluminium Alloy Finish / Colour Silver
4	2 pcs	2 pcs	Adjustment Bracket		<ul style="list-style-type: none"> Material Steel / Polyacetal (POM) Colour Silver
5	1 pc	1 pc	Support Arm		<ul style="list-style-type: none"> Material Steel / Polyacetal (POM) Finish / Colour Silver
6	1 pc	1 pc	Upper Arm		<ul style="list-style-type: none"> Material Aluminium Alloy Finish / Colour Silver
7	1 pc	1 pc	Lower Arm		<ul style="list-style-type: none"> Material Aluminium Alloy Finish / Colour Silver
8	1 pc	1 pc	Gas Spring		<ul style="list-style-type: none"> Colour Grey
9	1 set	-	Arm Connector & Clamp (For FAD-54/ Pipe Length 1990 mm)		<ul style="list-style-type: none"> Material Steel Finish / Colour Silver
10	-	1 set	Arm Connector & Clamp (For FAD-54L / Pipe Length 2600 mm)		<ul style="list-style-type: none"> Material Steel Finish / Colour Silver

No.	Qty		Part Name	Dimensions	Description
	a	b			
11	1 pc	1 pc	Clear Bumper		<p>Item Code : 210-030-639 Item Name : BS-36</p> <ul style="list-style-type: none"> Material Polyurethane (PUR) Finish Clear
12	1 pc	1 pc	Strip Brush	-	<ul style="list-style-type: none"> Colour Grey
13	2 pcs	-	Aluminum Frame for FAD-54		<ul style="list-style-type: none"> Material Aluminium Alloy Finish Anodized+Clear <p>*Vertical: 2300 mmx2 pcs Horizontal: 800 mmx1 pc</p>
14	-	1 pc	Aluminum Frame for FAD-54L		<ul style="list-style-type: none"> Material Aluminium Alloy Finish Anodized+Clear <p>*Vertical: 2900 mmx2 pcs Horizontal: 800 mmx1 pc</p>
15	4 pcs	4 pcs	Leveling Glide Base		<ul style="list-style-type: none"> Material Steel Finish / Colour Silver
16	4 pcs	4 pcs	Bracket for Aluminum Frame		<ul style="list-style-type: none"> Material Aluminium Alloy Finish / Colour Silver
17	6 pcs	6 pcs	Angle Connector		<ul style="list-style-type: none"> Material Steel Finish Clear Zinc Chromate
18	4 pcs	4 pcs	Leveling Glide		<p>Item Code : 200-140-593 Item Name : ADR37-10-50</p> <ul style="list-style-type: none"> Material Steel / Elastomer (TPE) Finish Clear Zinc Chromate / Black
19	8 pcs	8 pcs	Corner Connector		<p>Item Code : 120-040-456 Item Name : P-J-60</p> <ul style="list-style-type: none"> Material Aluminium Alloy / Zinc Alloy (ZDC) Finish Silver / Yellow Zinc Chromate

OVER TRAVEL SLIDING DOOR SYSTEM

OX

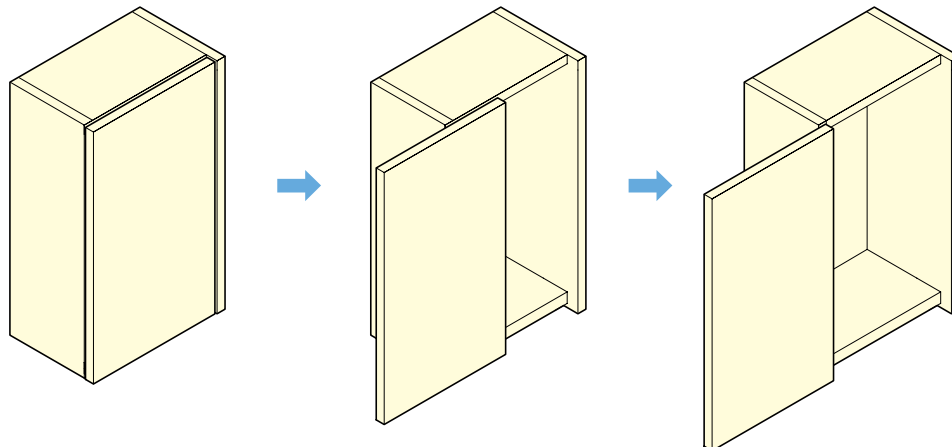
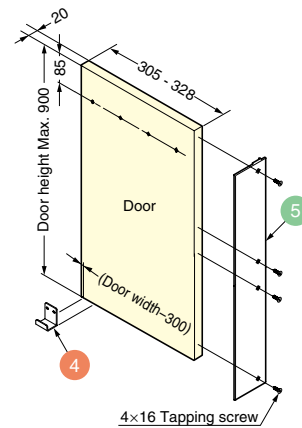
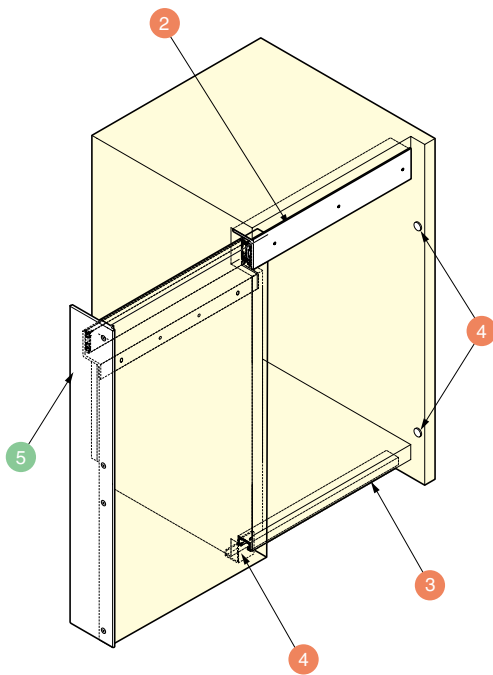
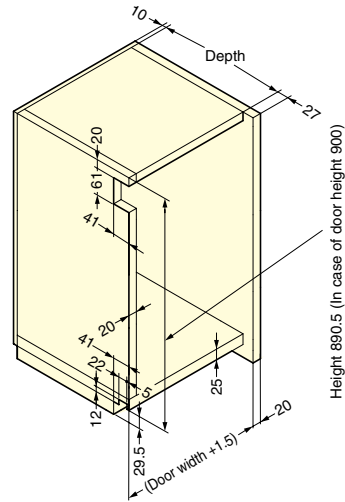
WARDROBE & CABINET DOOR HARDWARE

OVER TRAVEL SLIDING DOOR SYSTEM

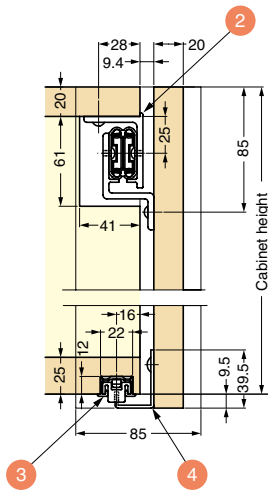
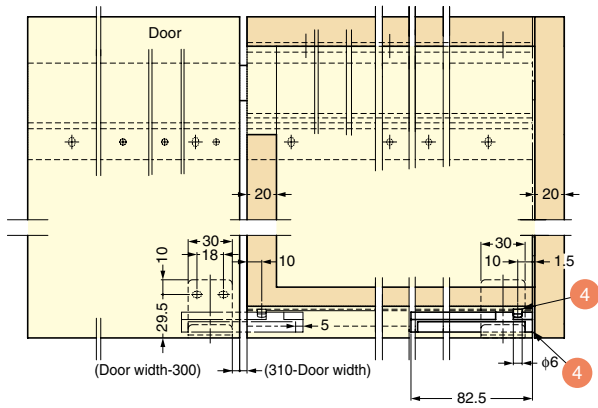
Door Width	305 - 328 mm
Door Height	Max. 900 mm
Door Thickness	20 mm
Door Weight	Max. 5 kg/Door

Features

- Over travel rail allows full access to cabinet inside.
- Suitable for limited space.

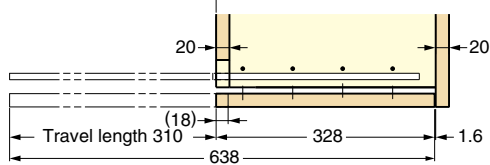


Installation

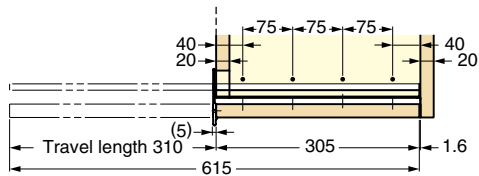


Door width 328 mm

Mounting reference surface



Door width 305 mm



Parts Set (Per Door)

Necessary Parts

Set Name	Item Code	Item Name
a) Parts Set for Right Open	250-121-436	OX-300R
b) Parts Set for Left Open	250-121-435	OX-300L

Items

No.	Qty	Part Name	Dimensions	Description
1	1 pc	Upper Rail (Right Open)		Item Code : 250-121-434 Item Name : OX-U300R • Material Aluminium Alloy/Steel • Finish Anodized Silver /Yellow Zinc Chromate
2	1 pc	Upper Rail (Left Open)		Item Code : 250-121-433 Item Name : OX-U300L • Material Aluminium Alloy/Steel • Finish Anodized Silver /Yellow Zinc Chromate
3	1 pc	Bottom Rail (305 mm)		Item Code : 250-121-431 Item Name : OX-L300 • Material Aluminium Alloy • Finish Anodized Silver
4	1 set	Parts Set	 Bottom guide, Slider, Bumper, Stopper	Item Code : 250-121-432 Item Name : OX-P • Parts Included: Bottom guide, Slider, Stopper, Bumper, Screw • Truss Head Tapping Screw 4x18.....4 pcs • Truss Head Tapping Screw 4x16.....6 pcs • Countersunk Head Tapping Screw 3x12.....2 pcs • Round Head Wood Screw 3.5x16.....2 pcs • Countersunk Head Tapping Screw 4x16.....5 pcs

Optional Parts

No.	Item Code	Part Name	Dimensions	Description
5	250-121-430	Cover		• Material Aluminium Alloy • Finish Anodized Silver • Length 900 mm

WARDROBE & CABINET DOOR HARDWARE

OVER TRAVEL SLIDING DOOR SYSTEM



XL-GC SERIES (FOR SLIDING DOORS)



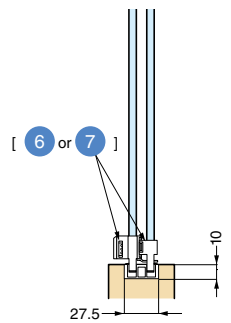
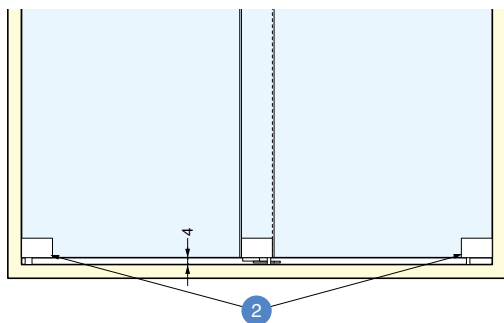
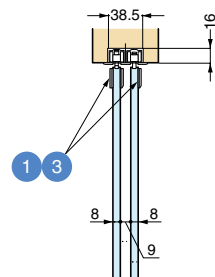
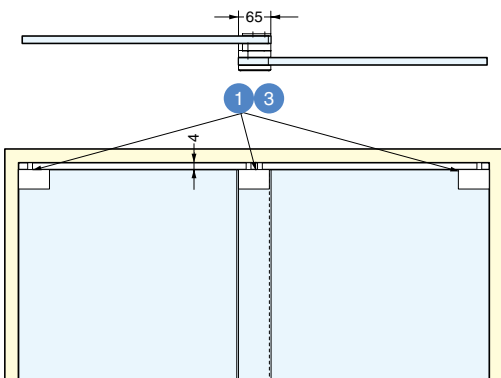
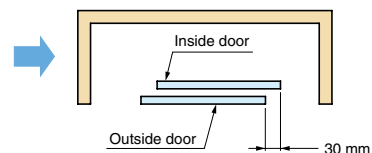
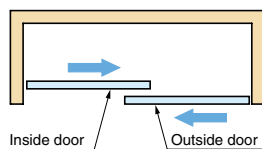
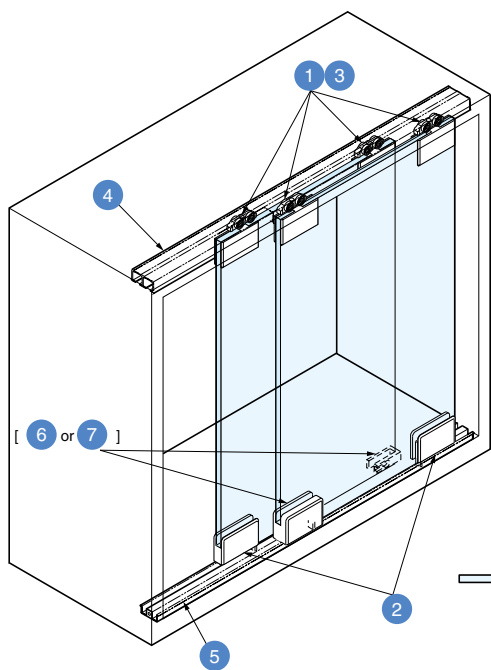
Door Width	Max. 500 mm
Door Height	Max. 1200 mm
Glass Thickness	8 mm
Glass Weight	Max. 12 kg / Door
Door Type	☐ 2 Sliding Inset Door

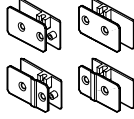
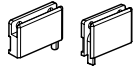
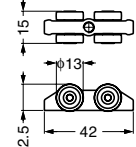
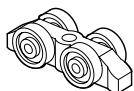
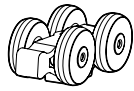
Total solution for coherent design of glass showcase

Features

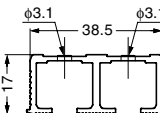
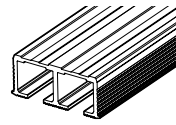
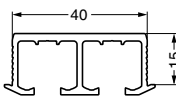
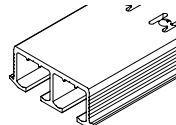
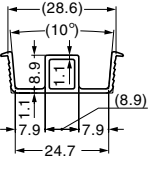
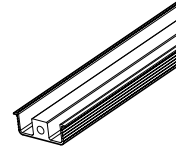
See the cut out dimensions in P.642.

WARDROBE & CABINET DOOR HARDWARE FOR GLASS DOORS XL-GC SERIES

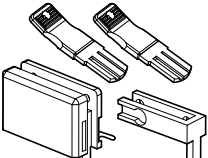


Sliding Door Parts		Necessary Parts		
For 2 sliding doors, ① 1 set, ② 1 set and ③ 4 pcs are necessary.				
No.	Item Code	Part Name	Dimensions	Description
①	250-121-960	Upper Bracket (with Hanger Bolt)	See Dimension in P.642	<ul style="list-style-type: none"> Material: Zinc Alloy (ZDC) Finish: Chrome
	XL-GC06-CR			
②	250-121-961	Bottom Guide	See Dimension in P.642	<ul style="list-style-type: none"> Material: Zinc Alloy (ZDC) Finish: Chrome
	XL-GC08-CR			
③	250-120-688	Roller (drawing 1)	(drawing 1) 	<ul style="list-style-type: none"> Material: Zinc Alloy (ZDC) Body: Zinc Alloy (ZDC) Roller: Polyacetal (POM)
	53-3061-081			
	250-037-471	(drawing 2)		
57-3149-071				

When the current stock of the roller ③ and upper rail ④ run out, their item names, codes, and shapes respectively will change to the specs featured in drawing 2. Please note that the old type and the new type can not be used together.

Rail		Necessary Parts		
④ 1 pc and ⑤ 1 pc				
No.	Item Code	Part Name	Dimensions	Description
④	250-012-117	Upper Rail (1200 mm) (drawing 1)	(drawing 1) 	<ul style="list-style-type: none"> Material: Aluminium Alloy Finish: Plain
	XL-GC06-UL1200	 Pitch End : 50 mm Pitch : 150 mm		
④	250-037-472	(drawing 2)	(drawing 2) 	<ul style="list-style-type: none"> Material: Aluminium Alloy Finish: Anodized
	XL-GC06-UL1200N	 Pitch End : 75 mm Pitch : 150 mm		
⑤	250-121-962	Bottom Rail (1200 mm)		<ul style="list-style-type: none"> Material: ABS Finish: Black
	XL-GC03-GL1200			

When the current stock of the roller ③ and upper rail ④ run out, their item names, codes, and shapes respectively will change to the specs featured in drawing 2. Please note that the old type and the new type can not be used together.

Sliding Door Lock		Necessary Parts		
⑥ or ⑦ 1 pc				
No.	Item Code	Part Name	Dimensions	Description
⑥	150-061-103	Sliding Door Lock	See Dimension in P.642	<ul style="list-style-type: none"> Material: Zinc Alloy (ZDC) Finish: Chrome Max. 24 key changes available.
	XL-GC03-CR-B (Key Different)			
⑦	150-001-055			
	XL-GC03-CR-D (Key Alike)			

UPPER BRACKET

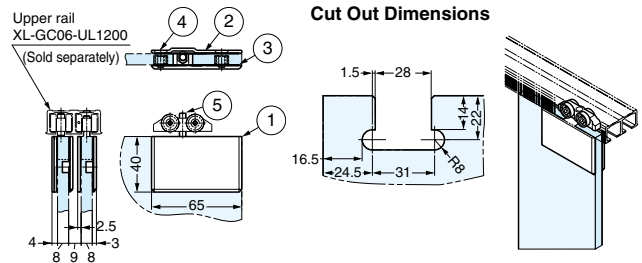


XL-GC06



Features

- Upper bracket for glass sliding door.
- Can be used with XL-GC03.



No	Part Name	Material	Finish/Colour
①	Body	Zinc Alloy (ZDC)	Chrome
②	Backplate	Steel	Chrome
③	Spacer	Rubber	Natural
④	Screws	Stainless Steel (SUS304)	Plain
⑤	Bolt	Steel	Clear Zinc Chromate

Item Code	Item Name	Glass Thickness	Load Capacity	Weight	Box	Carton
250-121-960	XL-GC06-CR	8	117.7 N/door	12 kgf/door	400 g	1 pc / 24 pcs

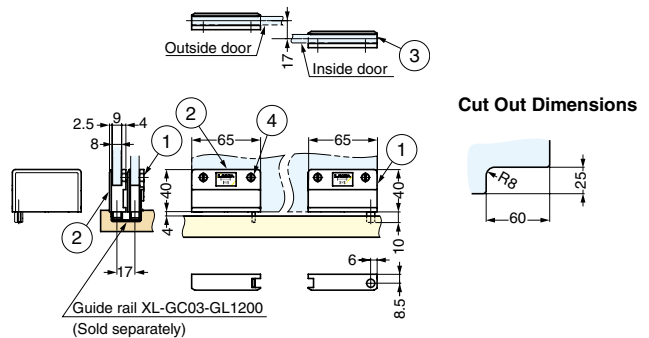
BOTTOM GUIDE BRACKET

XL-GC08



Features

- Bottom bracket for glass sliding door.
- Can be used with XL-GC03.



No	Part Name	Material	Finish/Colour
①	Body (Left)	Zinc Alloy (ZDC)	Chrome
②	Body (Right)	Zinc Alloy (ZDC)	Chrome
③	Spacer	Rubber	Black
④	Screws	Stainless Steel (SUS304)	Plain

Item Code	Item Name	Glass Thickness	Weight	Box	Carton
250-121-961	XL-GC08-CR	8	400 g	1 pc	24 pcs

GLASS DOOR LOCK FOR SLIDING DOOR

XL-GC03



Features

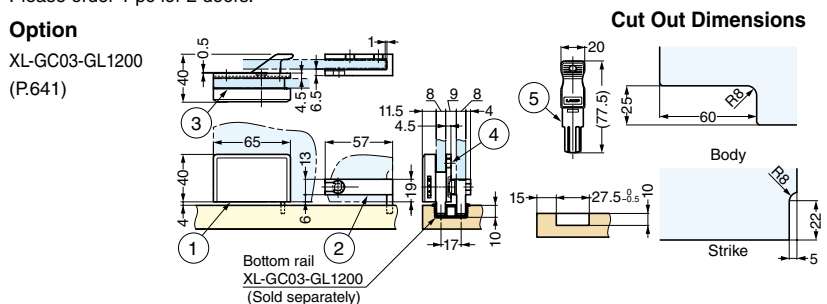
- Non-handed. Key hole located on the right side for a clean appearance and high security.
- 24 key numbers available.

Remarks

Please order 1 pc for 2 doors.

Option

XL-GC03-GL1200
(P.641)

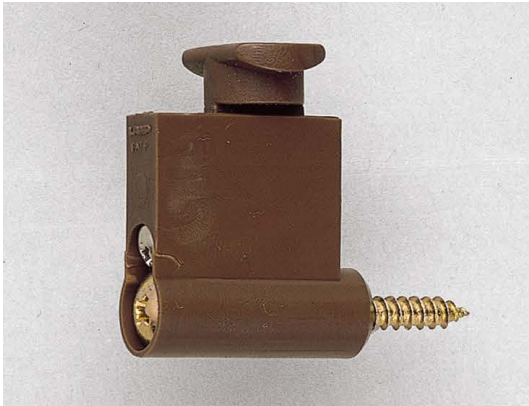


No	Part Name	Material	Finish/Colour
①	Body	Zinc Alloy (ZDC)	Chrome
②	Strike	Zinc Alloy (ZDC)	Chrome
③	Spacer	Rubber	Black
④	Screws	Stainless Steel (SUS304)	Plain
⑤	Key	Brass/ABS	Nickel/Black

Item Code	Item Name	Key Type	Glass Thickness	Weight	Box	Carton
150-061-103	XL-GC03-CR-B	Key Different	8	400 g	1 pc	24 pcs
150-001-055	XL-GC03-CR-D	Key Alike	8	400 g	1 pc	24 pcs

RUNNER FOR SLIDING DOOR

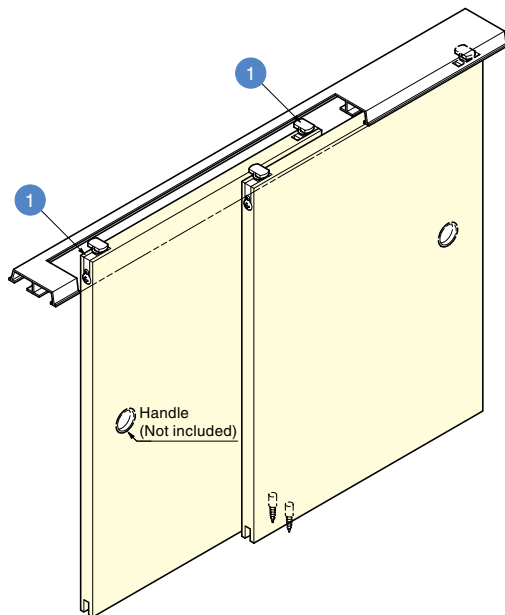
ASDF-1



Door Thickness	16 - 20 mm
Door Weight	Max. 4 kg
Vertical Adjustment	3 mm
Door Type	2 Panels (Inset)

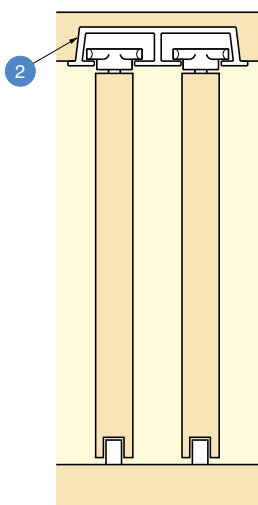
Features

- Inset type.
- Adjustable for door height.
- Upper Rail also available (Sold Separately).



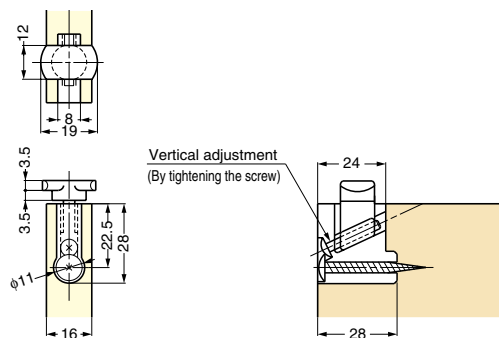
No.	Item Code	Part Name	Dimensions	Description
1	250-120-075	Runner		2 pcs per door are necessary. • Material Plastic • Colour Brown
	Item Name: ASDF-1			
2	250-129-035	Upper Rail (1820 mm)		• Material Polyvinyl Chlorides • Colour Brown
	Item Name: GR1820			

Bottom guide and handle are not included.

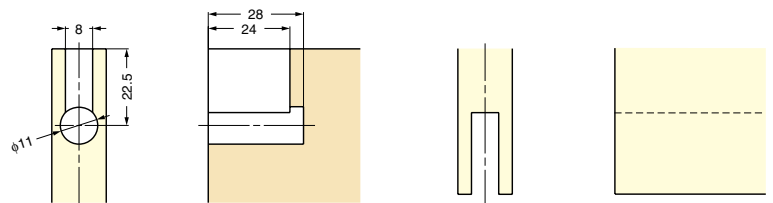


Upper rail 2
Mortise dimension
Width 52.2
Depth 11.5

Installation



Cut Out Dimensions



FOLDING DOOR SYSTEM

KF28

WARDROBE & CABINET DOOR HARDWARE

FOLDING DOOR SYSTEM



Door Width	Max. 450 mm/Door
Door Height	Max. 2400 mm
Door Thickness	15 - 20 mm
Door Weight	Max. 7 kg/Door*1
Coverage	19 mm
Door Type	2 Folding Door (Overlay)

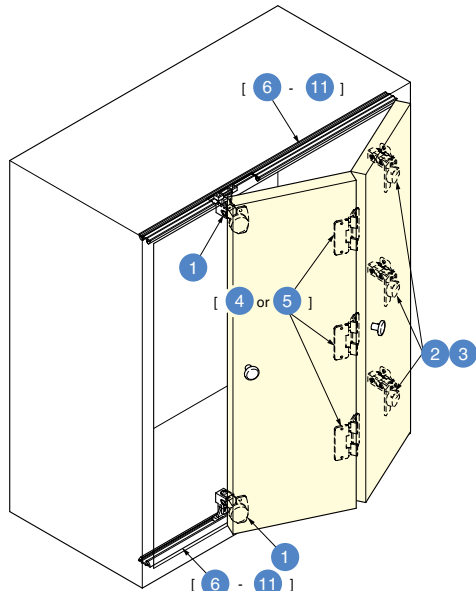
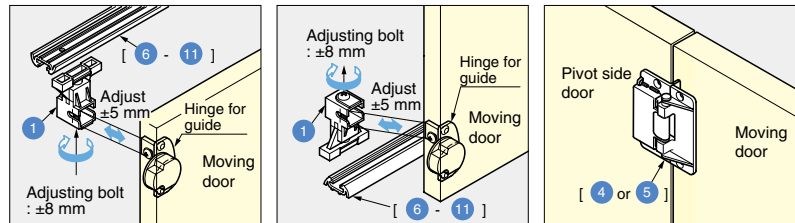
*1 Door weight has priority over door size.

Overlay folding door with concealed hinges.

Features

- Can be used on overlay installations of lightweight folding doors.
- Hardware is hidden when closed.
- Easy installation: rail is surface installed.
- Position can be adjusted horizontally and vertically post installation.

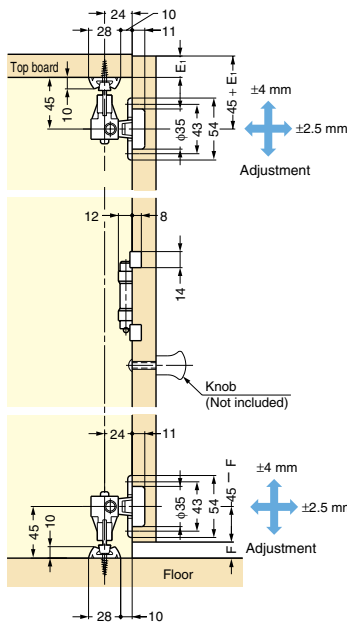
Installation



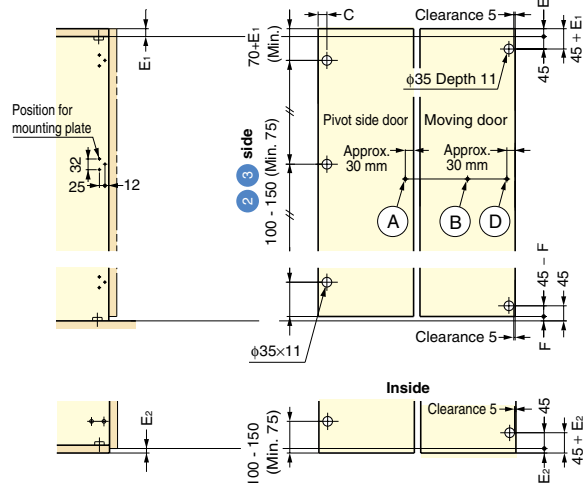
Door Height	Concealed Hinge 2 3	Centre Hinge 4 5
900 mm	2 pcs	2 pcs
1600 mm	3 pcs	2 pcs
2000 mm	4 pcs	3 pcs
2400 mm	5 pcs	4 pcs

Coverage at Hinge Door Side	Door Edge to Bore Edge Distance
19 mm	5 mm
18 mm	4 (5) mm
17 mm	3 (4) mm

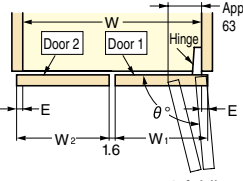
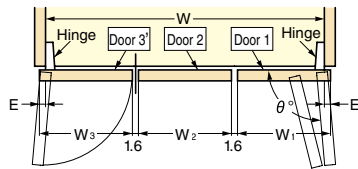
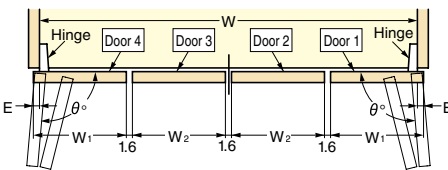
() shows hinge adjustable range.



C = Door edge to bore edge distance
 F = Clearance between door bottom edge and floor (5 - 15 mm)
 E1 = Overlay (Upper side)
 E2 = Overlay (Bottom side)



Door Width

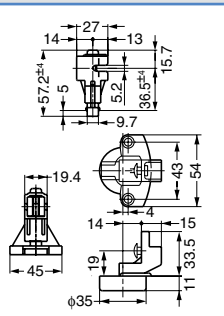
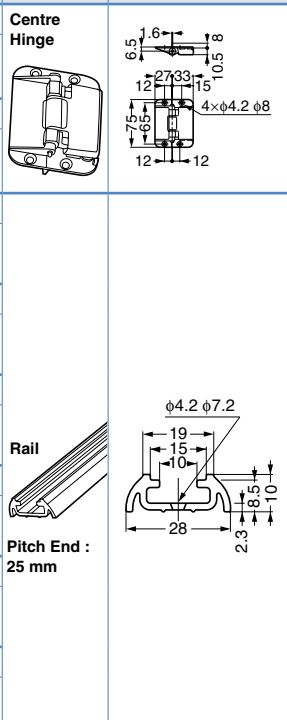
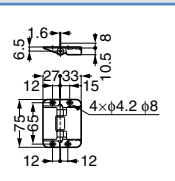
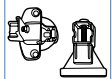
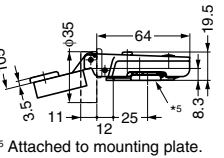

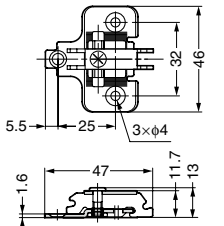
Application	Pivot Side Door at 90° Open	Pivot Side Door at 95° Open	Same Door Width Pivot Side Door at 87° Open
 <p>Approx. 63</p> <p>W : Width of inside cabinet W₁ : Width of Door 1 and Door 4 W₂ : Width of Door 2 and Door 3 W₃ : Width of Door 3 E : Coverage θ° : Opening angle at pivot side door</p> <p>2 folding doors</p>	$W_1 = \frac{W+2E-4.8}{2}$ $W_2 = W_1 + 3.2$	$W_1 = \frac{W+2E-7.8}{2}$ $W_2 = W_1 + 6.2$	$W_1 = \frac{W+2E-1.6}{2}$ $W_2 = W_1$ <p>Opening Angle=87°</p>
 <p>2 folding doors+1 swing door</p>	<ul style="list-style-type: none"> • W₃=W₁ $W_1 = W_3 = \frac{W+2E-6.4}{3}$ $W_2 = W_1 + 3.2$ • W₃=W₂ $W_1 = \frac{W+2E-9.6}{3}$ $W_2 = W_3 = W_1 + 3.2$ 	<ul style="list-style-type: none"> • W₃=W₁ $W_1 = W_3 = \frac{W+2E-9.4}{3}$ $W_2 = W_1 + 6.2$ • W₃=W₂ $W_1 = \frac{W+2E-15.6}{3}$ $W_2 = W_3 = W_1 + 6.2$ 	$W_1 = \frac{W+2E-3.2}{3}$ $W_1 = W_2 = W_3$ <p>Opening Angle=87°</p>
 <p>2 folding doors+2 folding doors</p>	$W_1 = \frac{W+2E-11.2}{4}$ $W_2 = W_1 + 3.2$	$W_1 = \frac{W+2E-17.2}{4}$ $W_2 = W_1 + 6.2$	$W_1 = \frac{W+2E-4.8}{4}$ $W_1 = W_2$ <p>Opening Angle=87°</p>

WARDROBE & CABINET DOOR HARDWARE

Slide Guide
Concealed Hinge
Mounting Plate
Centre Hinge
Rail

Necessary Parts

① 2 pcs are necessary for a pair of doors. Please order necessary qty of ②, ③ and ④ / ⑤ based on door height (refer to chart on P.644). Please order suitable rail ⑥ - ⑪ for the application.

No.	Item Code	Part Name	Dimensions	Description	No.	Item Code	Part Name	Dimensions	Description
①	250-120-029	Sliding Guide		<ul style="list-style-type: none"> • Material Zinc Alloy (ZDC) Polyacetal (POM) • Finish Nickel • Body: Nickel 	 <p>Pitch End : 25 mm</p>	250-129-208	Centre Hinge		<ul style="list-style-type: none"> • Material Zinc Alloy (ZDC) Polyamide (PA) Polyacetal (POM) • Hinge Axis: Steel • Finish Body: Nickel (NI) Bronze (GB)
	FD28-SG		<ul style="list-style-type: none"> ④ CH-75NI Nickel ⑤ CH-75GB Bronze 						
②	160-070-036	Concealed Hinge	 <p>*5 Attached to mounting plate.</p>	<ul style="list-style-type: none"> • Material Steel • Finish Nickel 		250-120-039	FD28-910-SIL Silver 910 mm		<ul style="list-style-type: none"> • Material Aluminium Alloy • Finish Anodized/Silver
	230-26/19T					250-120-037	FD28-1220-SIL Silver 1220 mm		
③	160-070-041	Mounting Plate		<ul style="list-style-type: none"> • Material Steel • Finish Nickel 		250-120-035	FD28-1820-SIL Silver 1820 mm		<ul style="list-style-type: none"> • Material Aluminium Alloy • Finish Anodized/Bronze
	230-P4W-32T	250-120-038				FD28-910-GB Bronze 910 mm			
		250-120-036				FD28-1220-GB Bronze 1220 mm			
		250-120-034				FD28-1820-GB Bronze 1820 mm			
		250-120-034				FD28-1820-GB Bronze 1820 mm			

FOLDING DOOR SYSTEM

FOLDING DOOR SYSTEM

FD30-F



WARDROBE & CABINET DOOR HARDWARE

FOLDING DOOR SYSTEM

	a	b	c	d
Item Code	250-017-905	250-017-908	250-018-312	250-018-316
Item Name	FD30FKP	FD30UKP	FD30URP-1P	FD30UMP-1P
Application	Standard Folding (One Pivot Fixed)	Standard Folding with Roller (One Pivot Fixed)	Slidable (For Partition Use)	Slidable (For Cabinet Use)
Door Width	Max. 450 mm			
Door Height	Max. 2400 mm			
Door Thickness	Min. 30 mm			
Door Weight	Max. 15 kg/Door			

Parts Set (Per Door)		Necessary Parts	
		Please refer to "Qty a - d" for parts included in each set.	
Item Code	Item Name	Description	
a	250-017-905	FD30FKP	For Pivoted Folding Door
b	250-017-908	FD30UKP	For Pivoted Folding w/ Roller
c	250-018-312	FD30URP-1P	For Slidable Folding (For Partition Use)
d	250-018-316	FD30UMP-1P	For Slidable Folding (For Cabinet Use)

Parts Included

No.	Qty				Part Name	Dimensions	Description
	a	b	c	d			
1	1	-	-	-	Upper Pivot		Item Code : 250-017-162 Item Name : FD30-FTP • Material : Steel / Polyamide • Finish : Chromate / White
2	1	-	-	-	Guide Roller		Item Code : 250-017-140 Item Name : FD30-FGRU • Material : Steel / Polyamide • Finish : Chromate / White, Black
3	-	2	2	-	Upper Roller (Recessed Mount)		Item Code : 250-026-120 Item Name : FD30-WRH • Material : Zinc Alloy Polyacetal • Finish : Chromate / Light Brown
4	-	-	-	2	Upper Roller (Side Mount)		Item Code : 250-017-142 Item Name : FD30-WRU • Material : Steel / Polyacetal • Finish : Chromate / Brown
5	-	1	-	-	Stopper Block		Item Code : 250-017-139 Item Name : FD30-HSB • Material : Polyacetal • Finish : Dark Brown
6	1	1	-	-	Bottom Pin		Item Code : 250-017-163 Item Name : FD30-FBP • Material : Steel / Polyacetal • Finish : Chromate / White
7	-	-	2	2	Guide Pin		Item Code : 250-017-164 Item Name : FD30-FGR • Material : Steel / Polyacetal • Finish : Chromate / White
8	1	1	1	1	Pin Insert Jig		Item Code : 250-017-169 Item Name : FD30-FSJ
9	1	1	-	-	Spanner Wrench		Item Code : 250-017-168 Item Name : FD30-FSP
10	-	-	-	-	Top Bracket		Item Code : 250-017-165 Item Name : FD30-FSK • Material : Steel • Finish : Chromate

No.	Qty				Part Name	Dimensions	Description
	a	b	c	d			
11	1	-	-	-	Pivot Bracket (Upper)		Item Code : 250-017-141 Item Name : FD30-FSKU • Material : Steel • Finish : Chromate
12	1	1	-	-	Pivot Bracket (Bottom)		Item Code : 250-017-170 Item Name : FD30-FPU • Material : Steel • Finish : Chromate
13	-	1	-	-	Fixing Plate		Item Code : 250-017-144 Item Name : FD30-FKK • Material : Steel • Finish : Chromate
14	-	-	2	2	Upper Stopper		Item Code : 250-017-143 Item Name : FD30-FTST-DB • Material : Steel / Polyacetal • Finish : Chromate / Brown
15	-	-	-	2	Upper Stopper		Item Code : 250-019-297 Item Name : FD30-FTST-GR • Material : Steel / Polyacetal • Finish : Chromate / Grey
16	-	-	2	2	Bottom Stopper		Item Code : 250-017-166 Item Name : FD30-FBKS • Material : Steel / Polyacetal • Finish : Chromate / Brown
17	-	-	-	-	Centre Hinge (Surface Mount, Angle Adjustable)		Item Code : 250-017-146 Item Name : FD30-CHM • Material : Steel • Finish : Chromate / Black
18	3	3	-	-	Centre Hinge (Surface Mount, Angle Adjustable)		Item Code : 250-019-899 Item Name : FD30-CHM-WT • Material : Steel • Finish : Chromate / White
19	-	-	-	-	Centre Hinge (Recessed Mount, Angle Adjustable, W/Detent Stop)		Item Code : 250-017-147 Item Name : FD30-CHH • Material : Steel • Finish : Steel / Black
20	-	-	-	3	Centre Hinge (Recessed Mount, Angle Adjustable, W/Detent Stop)		Item Code : 250-019-900 Item Name : FD30-CHH-WT • Material : Steel • Finish : White
21	-	-	-	-	Centre Hinge (Door Edge, Angle Adjustable, W/Detent Stop)		Item Code : 250-017-167 Item Name : FD30-CHK • Material : Zinc Alloy • Finish : Dark Brown
22	-	-	-	3	Centre Hinge (Door Edge, Angle Adjustable, W/Detent Stop)		Item Code : 250-019-901 Item Name : FD30-CHK-WT • Material : Zinc Alloy • Finish : White

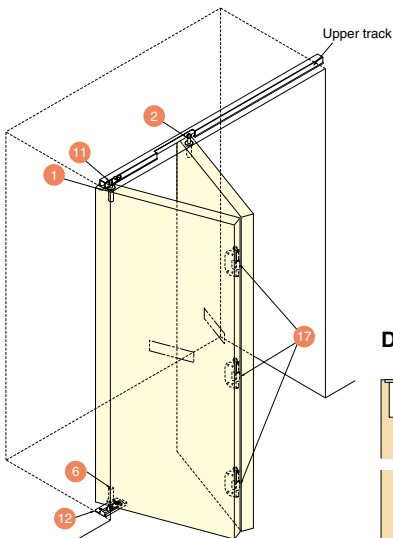
Upper Track Necessary Parts					Bottom Guide Track Necessary Parts for <input type="checkbox"/> c <input type="checkbox"/> d						
No.	Installation	Length	Item Code	Dimensions	Description	No.	Installation	Length	Item Code	Dimensions	Description
23	Surface Mount	910 mm	250-017-962		• Material Aluminium • Finish Anodized Silver	31	Floor Surface Mount	910 mm	250-018-080		• Material Aluminium • Finish Anodized Silver
			FD30-TRM910SIL						FD30-FBRM910SIL		
			250-017-131						250-017-160		
			FD30-TRM1820SIL						FD30-FBRM1820SIL		
24	Surface Mount	1820 mm	250-017-966		• Material Aluminium • Finish Anodized Silver	32	Floor Surface Mount	1820 mm	250-018-082		• Material Aluminium • Finish Anodized Silver
			FD30-TRM2730SIL						FD30-FBRM2730SIL		
25	Surface Mount	2730 mm	250-017-970		• Material Aluminium • Finish Anodized Silver	33	Floor Surface Mount	2730 mm	250-018-084		• Material Aluminium • Finish Anodized Silver
26	Surface Mount	3640 mm	FD30-TRM3640SIL						FD30-FBRM3640SIL		
27	Recessed Mount	910 mm	250-017-964		• Material Aluminium • Finish Anodized Silver	35	Floor Recessed Mount	910 mm	250-018-074		• Material Aluminium • Finish Anodized Silver
			FD30-TRH910SIL						FD30-FBRH910SIL		
			250-017-133						250-017-158		
			FD30-TRH1820SIL						FD30-FBRH1820SIL		
28	Recessed Mount	1820 mm	250-017-968		• Material Aluminium • Finish Anodized Silver	36	Floor Recessed Mount	1820 mm	250-018-076		• Material Aluminium • Finish Anodized Silver
			FD30-TRH2730SIL						FD30-FBRH2730SIL		
29	Recessed Mount	2730 mm	250-017-972		• Material Aluminium • Finish Anodized Silver	37	Floor Recessed Mount	2730 mm	205-018-078		• Material Aluminium • Finish Anodized Silver
30	Recessed Mount	3640 mm	FD30-TRH3640SIL						FD30-FBRH3640SIL		

Cover Cap Necessary Parts for <input type="checkbox"/> b <input type="checkbox"/> c					
No.	Item Code	Item Name	Installation	Description	
39	250-018-785	Cover Cap for Upper Roller		End Cap (For Roller 3)	• Material Polypropylene • Finish White
	FD30-WRH-CP-WT				• Material Polypropylene • Finish Light Brown
250-017-138	FD30-WRH-CP-LBR				• Material Polypropylene • Finish Dark Brown
40				FD30-WRH-CP-LBR	
41	250-018-786	FD30-WRH-CP-DB		End Cap (For Roller 3)	• Material Polypropylene • Finish Dark Brown
	41			FD30-WRH-CP-DB	

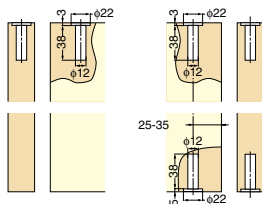
Centre Hinge Necessary Parts					
No.	Item Code	Installation	Angle Adjustment	Detent	
17	250-017-146		Surface Mount		37° Angle
	FD30-CHM				
18	250-019-899		Surface Mount		37° Angle
	FD30-CHM-WT				
19	250-017-147		Recessed Mount		50° Angle
	FD30-CHH				
20	250-019-900		Recessed Mount		50° Angle
	FD30-CHH-WT				
21	250-017-167		Door Edge Recessed Mount		47° Angle
	FD30-CHK				
22	250-019-901		Door Edge Recessed Mount		47° Angle
	FD30-CHK-WT				

Optional Parts					
No.	Item Code	Installation	Description	Description	
42	250-017-171		Guide Pin (Magnetic)		• Material Polycarbonate • Neodymium • Finish Dark Brown
	FD30-FMF				
43	250-017-173		Guide Pin (Pin)		• Material Polyamide / Steel • Finish White / Chromate
	FD30-FTF				
44	250-017-172		Latch Unit (To be Used When Ordering <input type="checkbox"/> c, <input type="checkbox"/> d)		• Material Polyacetal • Finish Dark Brown
	FD30-FHL				

a Pivoted Folding Door - Surface Mount Hinge



Door Preparation



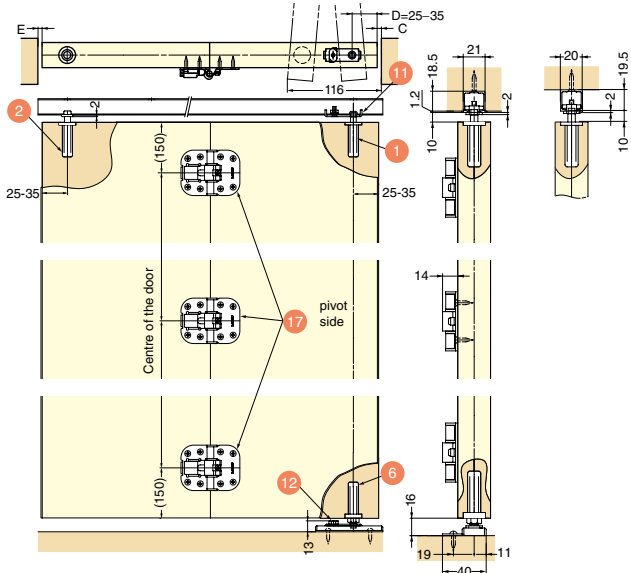
Gap Required - Door and Frame

Door Thickness	Gap C Min.	Gap E Min. in Case D=30			
		Width 300	Width 350	Width 400	Width 450
30	4.0	3.5	3.0	2.7	2.4
35	5.2	4.3	3.7	3.3	3.0
40	6.5	5.2	4.5	4.0	3.6

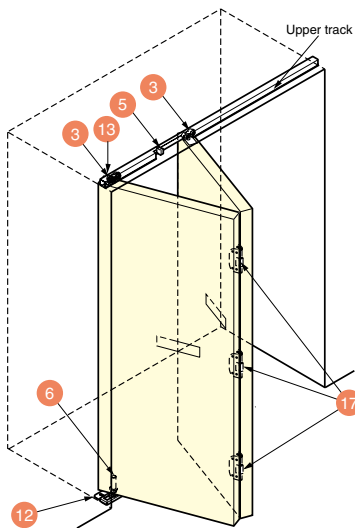
Features

Centre Hinge has angle adjustment, detent stop feature and is mounted on surface at back side of door for easy installation.

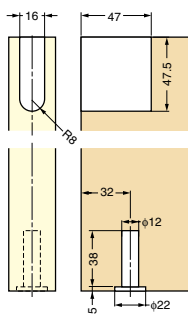
Installation Example (In case of 40 mm thick, 450 mm wide door)



b Pivoted Folding Door (With Roller) - Surface Mount Hinge



Door Preparation



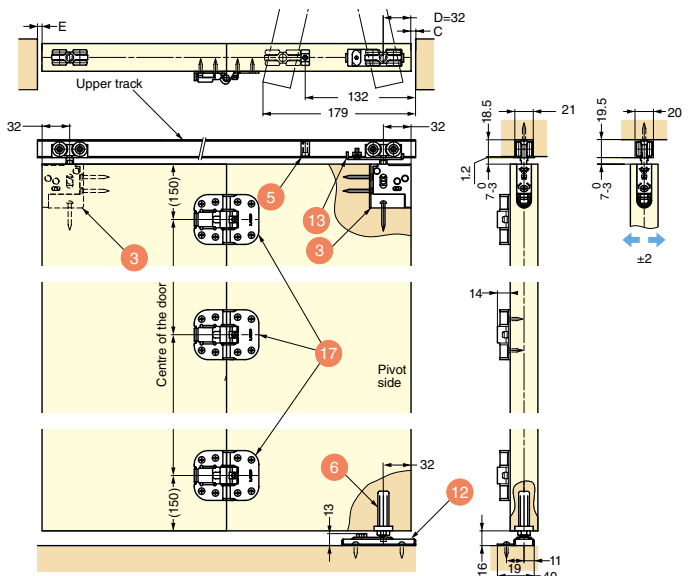
Gap Required - Door and Frame

Door Thickness	Gap C Min.	Gap E Min. in Case D=30			
		Width 300	Width 350	Width 400	Width 450
30	4.0	3.5	3.0	2.7	2.4
35	5.2	4.3	3.7	3.3	3.0
40	6.5	5.2	4.5	4.0	3.6

Features

Centre Hinge has angle adjustment, detent stop feature and is mounted on surface at back side of door for easy installation.

Installation Example (In case of 40 mm thick, 450 mm wide door)



LAMP® SOFT-CLOSE FOLDING DOOR SYSTEM



SFD



Door Width	380-460mm
Door Height	Max. 2600mm
Door Thickness	18-30mm
Door Weight	Max. 8kg (Per door) *1
Door Type	Bi-Folding Doors (Overlay)

*1 Please prioritize door weight when selecting doors.

No guide rail on top or bottom, outfitted with soft-close mechanism.

Features

- When door is within a certain range, the door will automatically close itself due to its built-in mechanism.
- No rail on top or bottom makes installation easy.
- Door can be adjusted after installation because of concealed hinges.

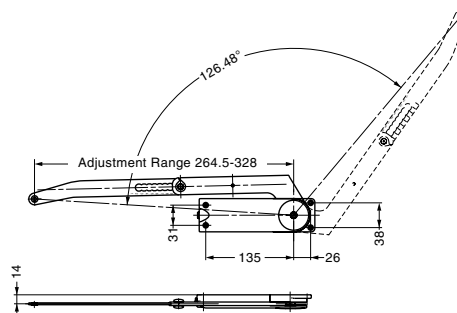
Remarks

- For the top and bottom concealed hinges, please place them 100mm from the edge. (Place the middle hinge equidistance from the others)
- The bi-fold door hinge should be evenly placed depending on the doors height.
- If you are using a hinge besides the H230, please contact our sales department for more information.

WARDROBE & CABINET DOOR HARDWARE



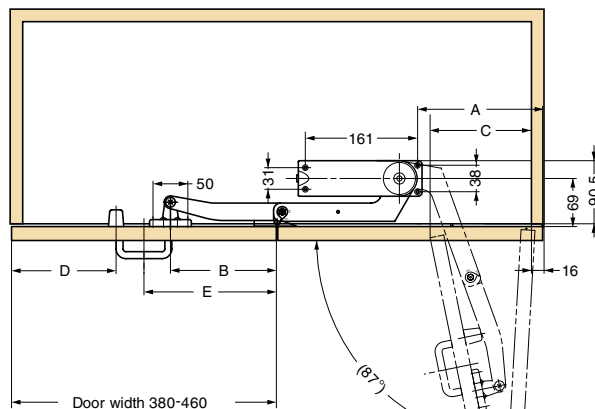
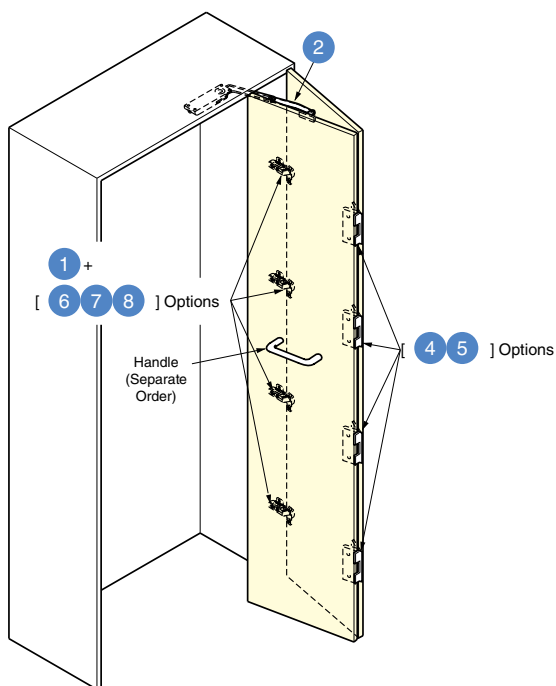
Body



Dimension

The circled numbers are referenced on the next page.

The picture below shows a right opening door. A left opening door would be the opposite set up.



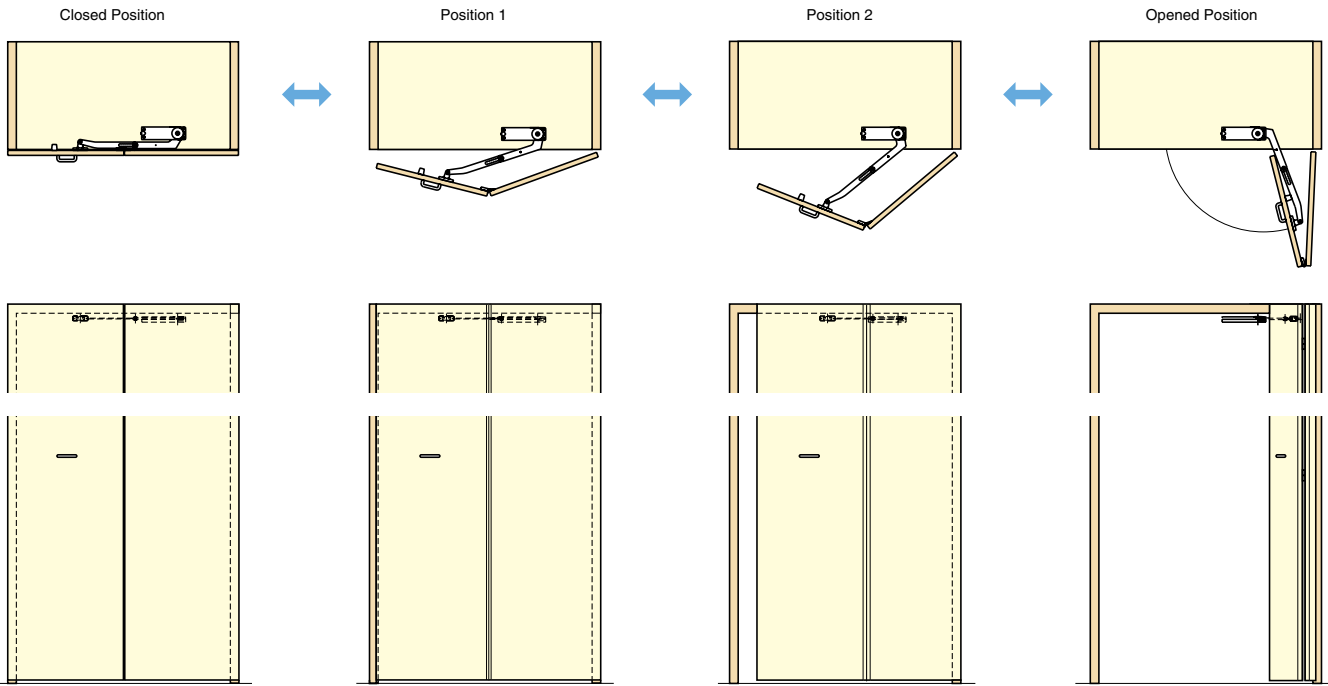
The picture features SFD-3L-R (right opening type).
 The installation above is for a half overlay hinge.
 The above installation can be used for a full overlay hinge.
 For use with an inset hinge, please contact us directly for more information.

*2 Install the handle between the bi-fold door hinge and the position specified in column E (below)

Door Width	Available Range	Adjustable Position	A	B	C	D	E
380	375-385	1	179.5	152	(145)	(150)	(190)
390	385-395	2	184.5	155	(150)	(155)	(195)
400	395-405	3	189.5	158	(154)	(160)	(200)
410	405-415	4	194.5	161	(158)	(165)	(205)
420	415-425	5	199.5	164	(162)	(170)	(210)
430	425-435	6	204.5	167	(168)	(170)	(215)
440	435-445	7	209.5	170	(172)	(175)	(220)
450	445-455	8	214.5	173	(177)	(180)	(225)
460	455-465	9	219.5	176	(181)	(180)	(230)

FOLDING DOOR SYSTEM

Door Movement



How to order the Soft-Close Folding Door System SFD

• When ordering..... Mounting Plate + Body / Bi-Fold Door Hinge / Hinge

Mounting Plate

Required for every order. Please refer to the table below for number of hinges required.

No.	Item Code	Part	Dimensions	Finish
1	160-070-041 [Item Name] 230-P4W-32T	Mounting Plate		<ul style="list-style-type: none"> Material: Steel Finish: Nickel

Body - Bi-Fold Door Hinge - Hinge

Please read the following and confirm which parts are necessary for installation.

Select 2 or 3 based on the opening direction of the door. Choose between 4 and 5 bi-fold door hinges. Choose between 6, 7 and 8 concealed hinges depending on inset or overlay. Use the list on the bottom left hand of this page to find the number of hinges required for installation.

No.	Type	Item Code	Parts	Dimension	Finish
2	Right Open Type	250-100-391 [Item Name] SFD-3L-R	Body		<ul style="list-style-type: none"> Main materials: ABS Resin, Steel Finish/Color: Nickel, Light Gray
3	Left Open Type	250-100-390 [Item Name] SFD-3L-L		Above is for right opening door. Left opening are the opposite.	
4	Nickel	250-129-208 [Item Name] CH-75NI	Bi-Fold Door Hinge		<ul style="list-style-type: none"> Material: Body: ZDC Plastic: Polyamide(PA) / Polyacetyl Finish: Body: Nickel Plastic: Brown
5	Bronze	250-120-031 [Item Name] CH-75GB			<ul style="list-style-type: none"> Material: Body: ZDC Plastic: Polyamide(PA) / Polyacetyl Finish: Body: Bronze Plastic: Brown
6	Overlay	160-079-414 [Item Name] H230-26/16T	Concealed Hinge		<ul style="list-style-type: none"> Material: Steel Finish: Nickel
7		160-079-413 [Item Name] H230-26/26T	Concealed Hinge		
8	Inset	160-079-415 [Item Name] H230-26/0T	Concealed Hinge		

Required number of concealed hinges 6, 7, 8, and bi-fold door hinges 4, 5 for installation.

Door Height	Bi-Fold Door Hinge 4, 5	Hinge 6, 7, 8	Mounting Plate 1
500mm or less	2 pcs.	2 pcs.	2 pcs.
500-1000mm	2 pcs.	3 pcs.	3 pcs.
1000-1500mm	3 pcs.	4 pcs.	4 pcs.
1500-2000mm	4 pcs.	5 pcs.	5 pcs.
2000-2600mm	4 pcs.	6 pcs.	6 pcs.

*3 This illustration is of an attached hinge.

ROTATING CABINET SYSTEM



RB-600



WARDROBE & CABINET DOOR HARDWARE

ROTATING CABINET SYSTEM

Cabinet Width	Max. 680 mm
Cabinet Height	Max. 1925 mm
Overall Height	RB-600-NC...Cabinet Height+230 mm RB-600-ST ...Cabinet Height+435 mm RB-600-CH...Cabinet Height+660 mm
Cabinet Depth	300 mm
Load Capacity	740 N (75.5 kgf) (Including Cabinet Weight)

Features

- Innovative "reversible" cabinet system rotates 180° for easy access to both sides.
- 3 model types available: Inset Wall Type (NC), Floor Type (ST), and Floor-to-Ceiling Type (CH).
- Stainless steel frame can be cut in height to accommodate cabinets of various heights.
- Useful for a variety of storage and display installations in residential and retail settings.

[Video Link](#)



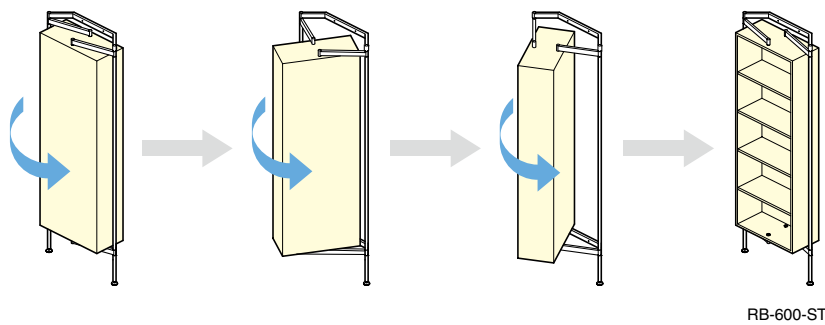
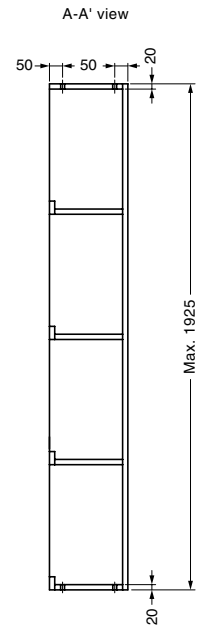
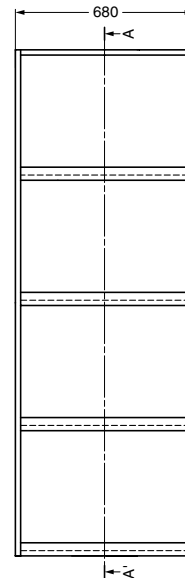
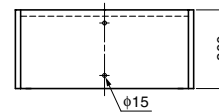
Application Example

Bathroom cabinet, living room, kitchen, dressing room, store etc.

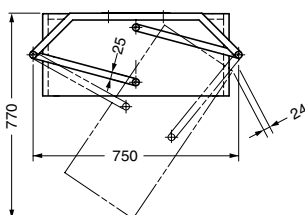
Remarks

Please use the special tool Z059 (sold separately for proper installation).

Cabinet Dimensions



Rotating Dimensions (cabinet width 680 mm)



Body

Item Code	Item Name	Type	Material	Finish
110-022-225	RB-600-NC	Inset Wall/Cabinet Type	Stainless Steel (SUS304)	Satin
110-022-224	RB-600-ST	Floor Type	Stainless Steel (SUS304)	Satin
110-022-223	RB-600-CH	Floor-to-ceiling Type	Stainless Steel (SUS304)	Satin

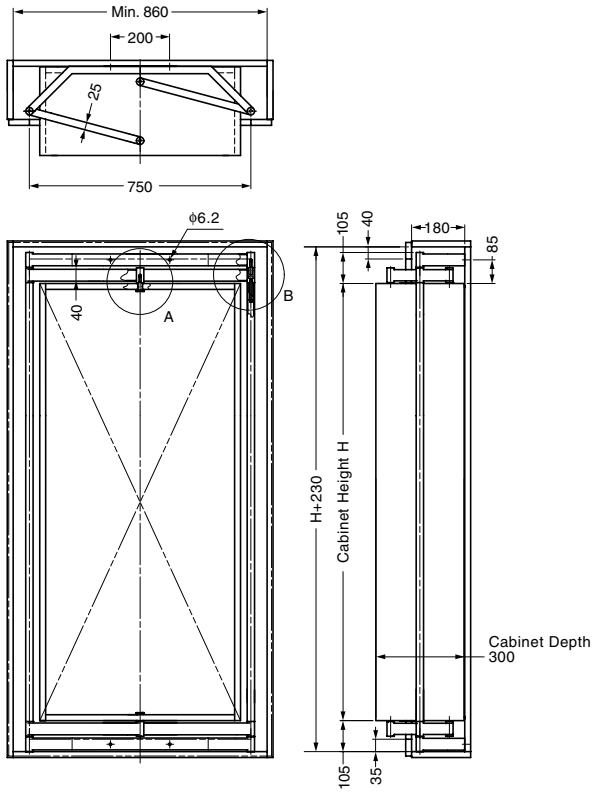
Exclusive Tool (Sold Separately)

Item Code	Item Name
270-180-388	Z059

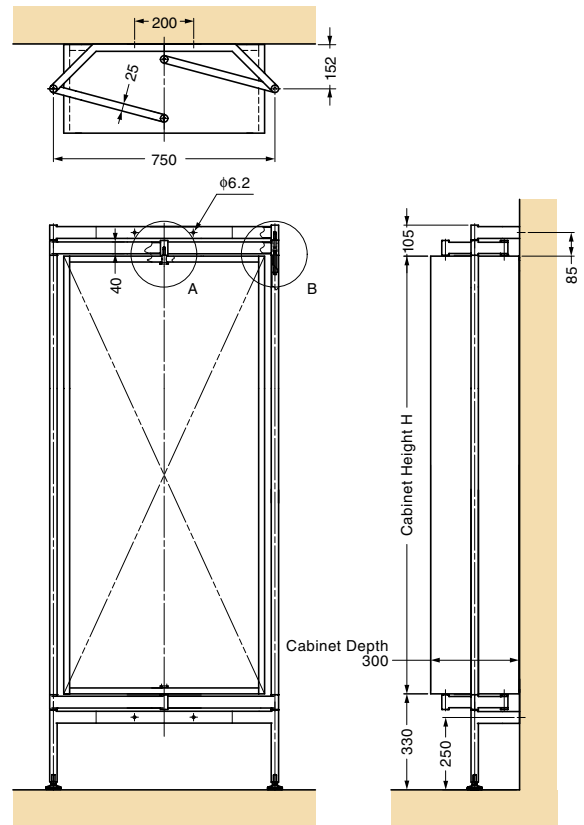


Installation Example

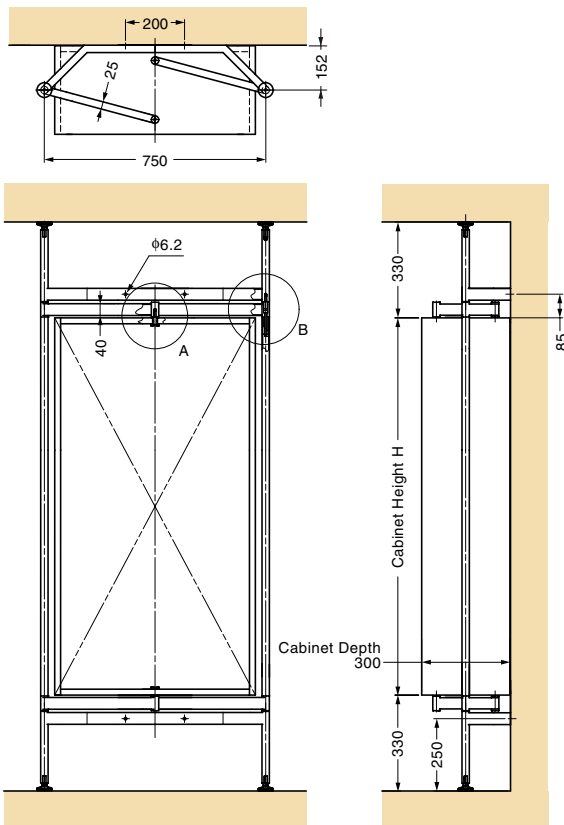
RB-600-NC Inset wall/cabinet type



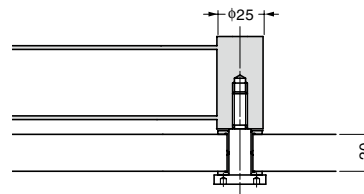
RB-600-ST Floor type



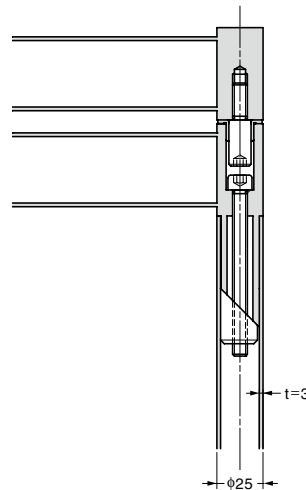
RB-600-CH Floor-to-ceiling type



Close-up of A



Close-up of B

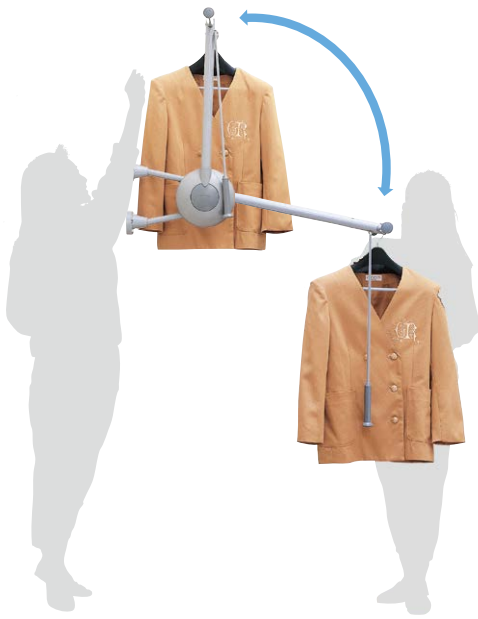


WARDROBE &
CABINET DOOR HARDWARE

ROTATING CABINET SYSTEM

TALLMAN CLOSET ROD LIFT MECHANISM

WARDROBE & CABINET DOOR HARDWARE



- Innovative closet storing mechanism to hang clothes in high places, allowing for your closet space to be utilized more efficiently.
- Equipped with a shock absorbing mechanism.
- Designed to soften sudden "pop-ups" even when rod is released halfway.
- Allows the closet rod to stay at position when the rod is pulled all the way down.

Easy to Use



Easy to return the rod to normal position.

Simple Installation



Install mounting plate on the wall, fasten rod unit to the mounting plate with one hidden screw.

Size Variation

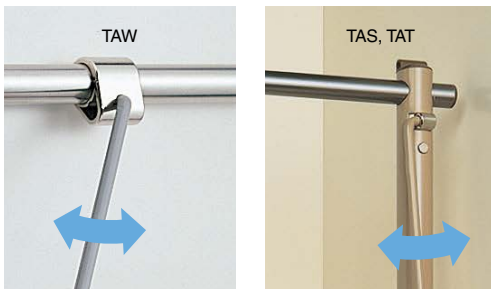


We offer single, double or T-type to accommodate your space requirements.

Lower Hanging Pipe



TALLMAN CLOSET ROD LIFT MECHANISM



Flexible pull-down rod allows smooth operation.

CLOSET ROD LIFT MECHANISM (SINGLE TYPE)



TAS

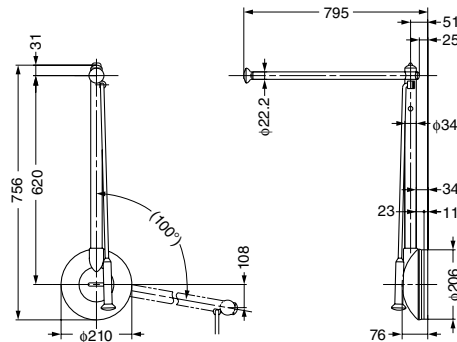
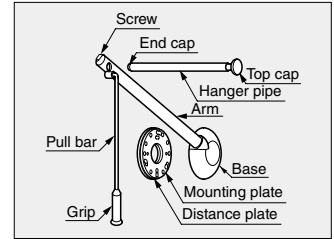


Features

- Single-type model for installation on a side wall of a cabinet or closet.
- Both right-handed and left-handed models available.

Parts Included

Countersunk head wood screw 4.1x32



Item Code	Item Name	Type	Material	Colour	Load Capacity		Weight	Box	Carton
110-029-228	TAS-800R-G	Right-Hand	Polystyrene (PS)/Steel	Grey	39.2 - 49 N	4 - 5 kgf	6 kg	1 set	3 sets
110-029-229	TAS-800L-G	Left-Hand	Polystyrene (PS)/Steel	Grey	39.2 - 49 N	4 - 5 kgf	6 kg	1 set	3 sets
110-029-230	TAS-800R-U	Right-Hand	Polystyrene (PS)/Steel	Umber	39.2 - 49 N	4 - 5 kgf	6 kg	1 set	3 sets
110-029-231	TAS-800L-U	Left-Hand	Polystyrene (PS)/Steel	Umber	39.2 - 49 N	4 - 5 kgf	6 kg	1 set	3 sets

WARDROBE & CABINET DOOR HARDWARE

CLOSET ROD LIFT MECHANISM (DOUBLE TYPE)



TAW



Features

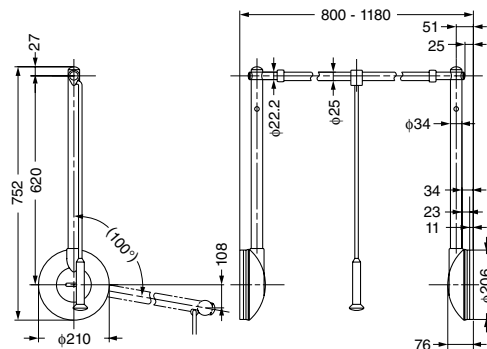
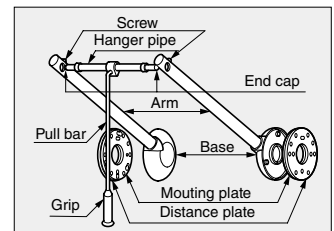
- Double-type model for installation on side walls of a cabinet or closet, using it in full width.
- Easy adjustment of rod length in just one step.

Remarks

Not possible to cut the hanger pipe.

Parts Included

Countersunk head wood screw 4.1x32



Item Code	Item Name	Material	Colour	Load Capacity		Weight	Box	Carton
110-029-001	TAW-1200-G	Polystyrene (PS)/Steel	Grey	68.6 - 78.4 N	7 - 8 kgf	11 kg	1 set	2 sets
110-029-000	TAW-1200-U	Polystyrene (PS)/Steel	Umber	68.6 - 78.4 N	7 - 8 kgf	11 kg	1 set	2 sets

TALLMAN CLOSET ROD LIFT MECHANISM

CLOSET ROD LIFT MECHANISM (T-TYPE)



TAT



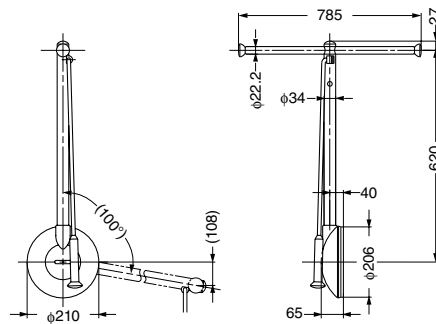
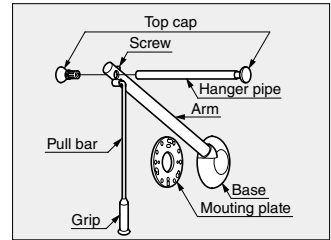
Bracket sold separately
See below (TAB)

Features

- TAB, the bracket required for installation is sold separately.
- Create space more efficiently by separating short and long clothes.

Parts Included

Countersunk head wood screw 4.1x20

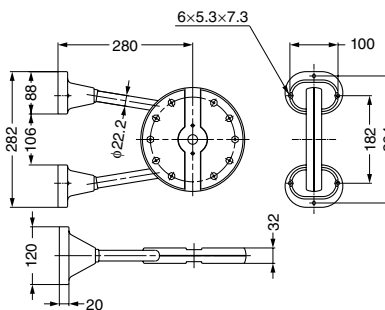


Item Code	Item Name	Type	Material	Colour	Load Capacity		Weight	Box	Carton
110-029-005	TAT-800R-G	Right-Hand	Polystyrene (PS)/Steel	Grey	39.2 - 49 N	4 - 5 kgf	6 kg	1 set	3 sets
110-029-004	TAT-800L-G	Left-Hand	Polystyrene (PS)/Steel	Grey	39.2 - 49 N	4 - 5 kgf	6 kg	1 set	3 sets

BRACKET



TAB



Features

Back wall mount bracket for TAS, TAW and TAT.

Remarks

Do not use impact driver.

Parts Included

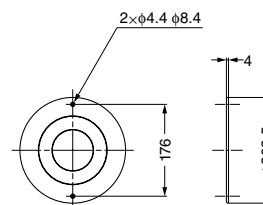
- Wood screw 6 pcs
- Countersunk head screw 16 pcs

Item Code	Item Name	Material	Colour	Weight	Box	Carton
110-020-170	TAB-G	Steel and Polystyrene (PS)	Grey	1.5 kg	1 pc	4 pcs
110-020-171	TAB-U	Steel and Polystyrene (PS)	Umber	1.5 kg	1 pc	4 pcs

COVER FOR TAB BRACKET



TAC



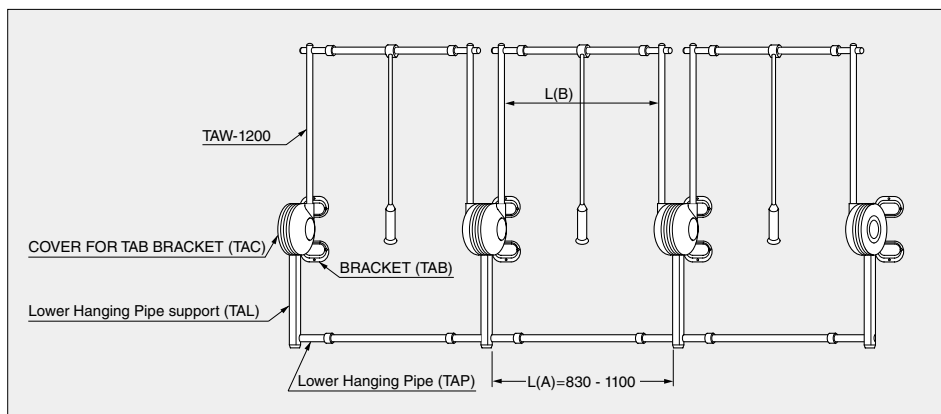
Parts Included

Countersunk head screw 2 pcs

Item Code	Item Name	Material	Colour	Weight	Box
110-020-176	TAC-G	Steel	Grey	0.21 kg	1 pc
110-020-177	TAC-U	Steel	Umber	0.21 kg	1 pc

LOWER HANGING PIPE

TAP, TAL



Features

Allows to use the space under the unit more effectively.

Remarks

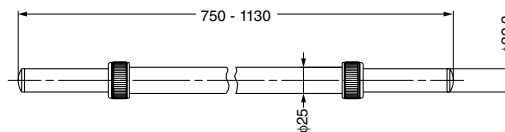
L(B) will be 120 mm shorter than L(A) in case using with TAW.

Parts Included

Wood screw 2 pcs

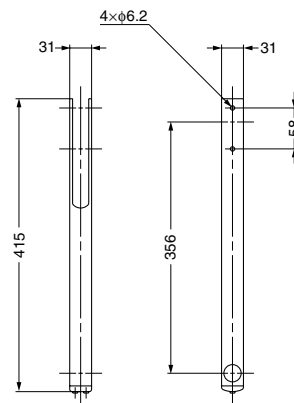
Item Name	Qty.
TAW-1200	3
BRACKET (TAB)	4
COVER FOR TAB BRACKET (TAC)	2
Lower Hanging Pipe (TAP)	3
Lower Hanging Pipe Support (TAL)	4

Lower Hanging Pipe (TAP)



Item Code	Item Name	Material	Colour	Weight	Box
110-020-184	TAP-1200WG	Stainless Clad Pipe	Grey	0.85 kg	1 pc
110-020-185	TAP-1200WU	Stainless Clad Pipe	Umber	0.85 kg	1 pc

Lower Hanging Pipe Support (TAL)



Item Code	Item Name	Material	Colour	Weight	Box
110-020-180	TAL-G	Steel	Grey	0.42 kg	1 pc
110-020-181	TAL-U	Steel	Umber	0.42 kg	1 pc

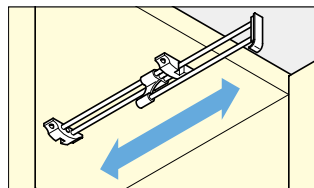
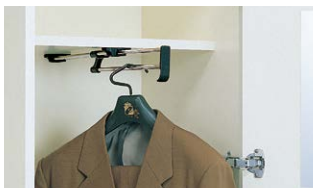
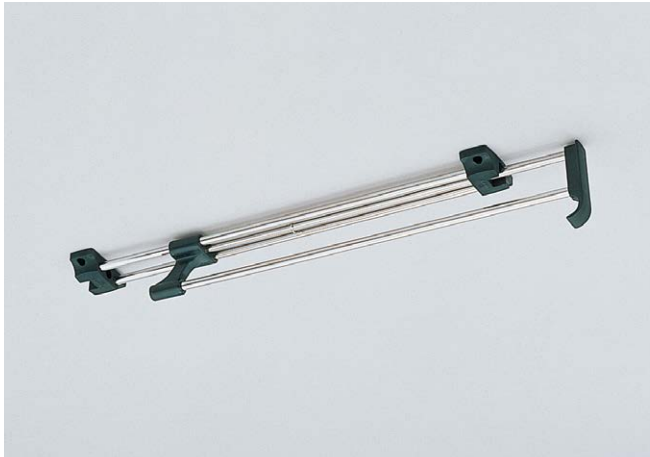
WARDROBE & CABINET DOOR HARDWARE

TALLMAN CLOSET ROD LIFT MECHANISM

EXTENSION HANGER



WH

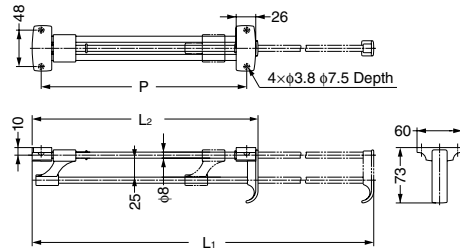


Features

Space-saving, undermount design for narrow spaces.

Parts Included

Pan head tapping screw 3.5x20



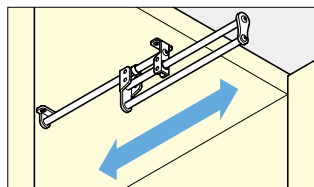
Part Name	Material	Finish/Colour
Hanger Rod	Steel	Nickel
Retainer Guide	Polyamide (PA)	Black

Item Code	Item Name	L ₁	L ₂	P	Load Capacity		Weight	Box	Carton
110-020-131	WH-300	498	300	273	58.8 N	6 kgf	485 g	5 pcs	30 pcs
110-020-132	WH-350	570	350	323	49 N	5 kgf	560 g	5 pcs	30 pcs
110-020-133	WH-400	628	400	373	49 N	5 kgf	630 g	5 pcs	30 pcs
110-020-134	WH-450	698	450	423	39.2 N	4 kgf	715 g	5 pcs	30 pcs

EXTENSION HANGER



AS

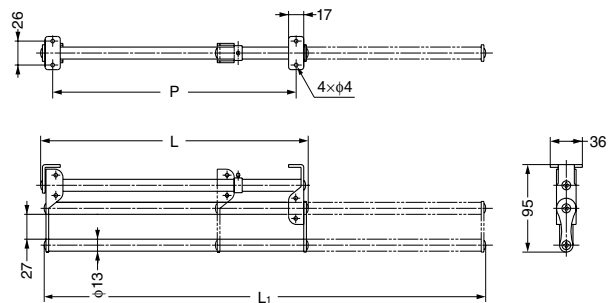


Features

Space-saving, undermount design for narrow spaces.

Parts Included

Raised countersunk head wood screw 3.5x25 (SUS)



Item Code	Item Name	Material	Finish	L ₁	L	P	Load Capacity		Weight	Box	Carton
110-020-138	AS-300	Stainless Steel (SUS430)	Satin	495	300	273	49 N	5 kgf	395 g	5 pcs	50 pcs
110-020-139	AS-330	Stainless Steel (SUS430)	Satin	545	330	303	49 N	5 kgf	420 g	5 pcs	50 pcs
110-020-140	AS-360	Stainless Steel (SUS430)	Satin	598	360	333	49 N	5 kgf	405 g	5 pcs	50 pcs
110-020-141	AS-400	Stainless Steel (SUS430)	Satin	665	400	373	49 N	5 kgf	440 g	5 pcs	50 pcs

EXTENSION HANGER



UH

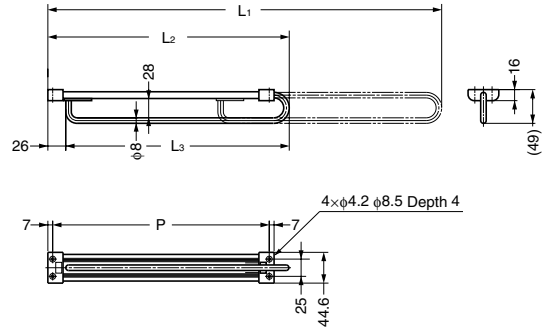


Features

Space-saving, undermount design for narrow spaces.

Parts Included

Tapping screw 4x25 (SUS)



Part Name	Material	Finish/Colour
End Cap	Polyamide (PA)	Black
Guide Block	Polyethylene (PE)	Black
Hanger Rod	Stainless Steel (SUS304)	Satin
Rod Retainer	Steel	Chrome

Item Code	Item Name	L ₁	L ₂	L ₃	P	Load Capacity		Weight	Box	Carton
110-021-045	UH-300	491	300	274	264	29.4 N	3 kgf	365 g	5 pcs	30 pcs
110-021-046	UH-350	571	350	324	314	29.4 N	3 kgf	440 g	5 pcs	30 pcs
110-021-047	UH-400	636	400	374	364	29.4 N	3 kgf	505 g	5 pcs	30 pcs
110-021-048	UH-450	721	450	424	414	29.4 N	3 kgf	570 g	5 pcs	30 pcs

EXTENSION HANGER



TE700, TE800



Features

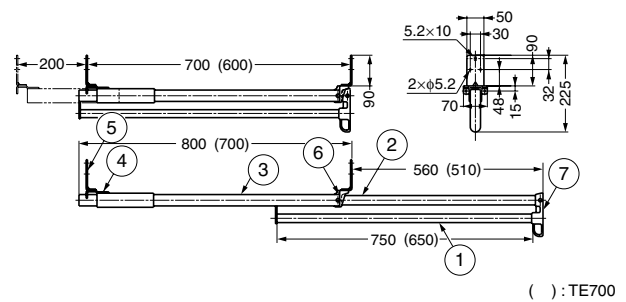
- Space-saving, undermount design for narrow, deep spaces.
- Ideal for wardrobe and large storage furniture which have a deep depth.
- 200 mm rear support can be adjusted for shorter/longer spaces.

Remarks

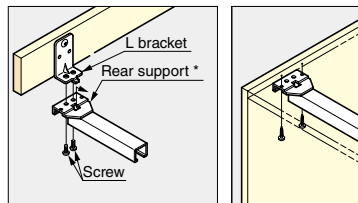
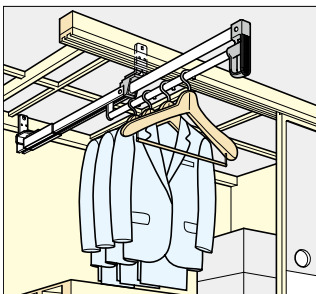
Cabinet depth : TE700 (Min. 700 mm), TE800 (Min. 800 mm).

Parts Included

Round head wood screws 4.5x20



() : TE700



* Use L bracket (included) for side-mount.

No.	Part Name	Material	Finish/Colour
①	Hanger Pipe	Steel	Chrome
②	Sliding Rail	Steel	Chrome
③	Fix Rail	Steel	Metalic Brown
④	Rear Support	Steel	Metalic Brown
⑤	L Bracket	Steel	Metalic Brown
⑥	Guide Cap	Plastic	Black
⑦	Knob	Plastic	Black

Item Code	Item Name	Length	Travel Length	Depth Dimension	Load Capacity		Weight	Box	Carton
110-020-147	TE-700	700	520	600 - 800	196 N	20 kgf	2.4 kg	1 pc	6 pcs
110-020-148	TE-800	800	570	700 - 900	196 N	20 kgf	2.7 kg	1 pc	6 pcs

HEAVY DUTY EXTENSION HANGER

TEST METHOD 5



SH740

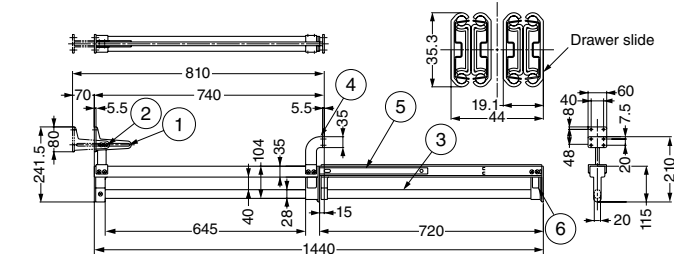
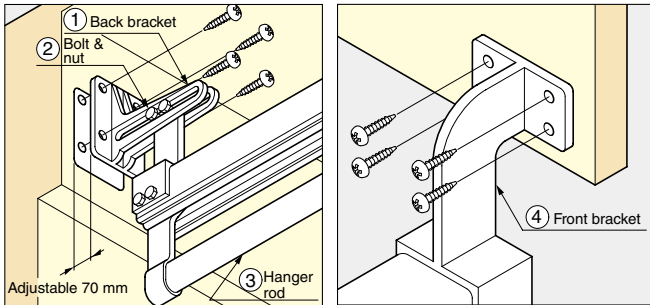


Features

- Space-saving, undermount design for narrow spaces.
- Drawer slide allows smooth movement.
- Back mounting bracket can be adjusted for shorter /longer spaces (70 mm).

Parts Included

Round head wood screws 4.5x20



No.	Part Name	Material	Finish
①	Back Bracket	Brass	Chrome
②	Bolt-Nut	Steel	Chrome
③	Hanger Rod	Steel	Chrome
④	Front Bracket	Brass	Chrome
⑤	Drawer Slide	Steel	Chrome
⑥	Knob	Brass	Chrome

Item Code	Item Name	Length	Load Capacity	Weight	Box	Carton
110-020-146	SH740	740 - 810	401.8 N / 41 kgf	6.1 kg	1 pc	2 pcs

HANGER BRACKET

TEST METHOD 4



CK

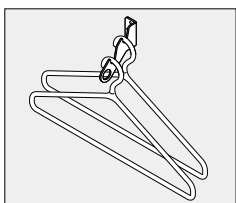


Features

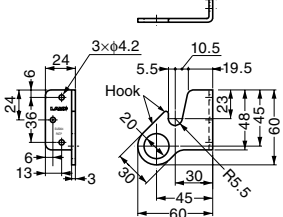
Light duty hanger brackets for garments, umbrellas, etc.

Parts Included

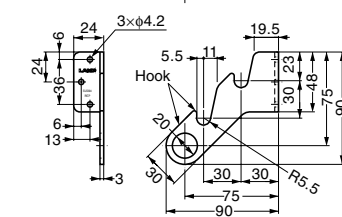
Truss tapping screw 4x20



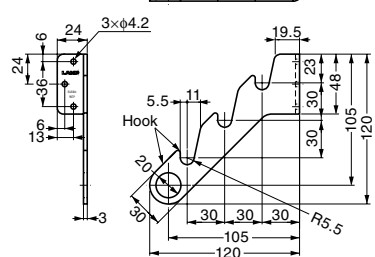
CK-60L



CK-90L



CK-120L



Item Code	Item Name	Material	Finish	Load Capacity/position	Weight	Box	Carton
110-020-260	CK- 60L	Stainless Steel (SUS304)	Satin	14.7 N / 1.5 kgf	66 g	15 pcs	150 pcs
110-020-261	CK- 90L	Stainless Steel (SUS304)	Satin	14.7 N / 1.5 kgf	90 g	15 pcs	150 pcs
110-020-262	CK-120L	Stainless Steel (SUS304)	Satin	14.7 N / 1.5 kgf	113 g	10 pcs	100 pcs

WARDROBE & CABINET DOOR HARDWARE

EXTENSION HANGER / HANGER BRACKET

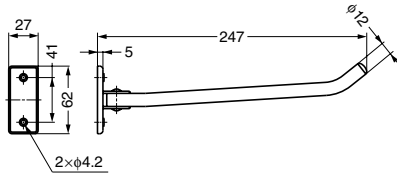
SWINGING HANGER

TEST METHOD 4

STAINLESS 304 STEEL

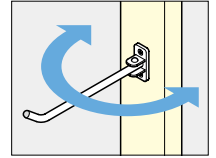
STAINLESS

HM-250V



Parts Included

Raised countersunk head wood screw 3.5x20 (SUS)



Item Code	Item Name	Material	Finish	Load Capacity	Weight	Box	Carton	
110-020-086	HM-250V	Stainless Steel (SUS304)/EPDM	Satin	29.4 N	3 kgf	120 g	10 pcs	100 pcs

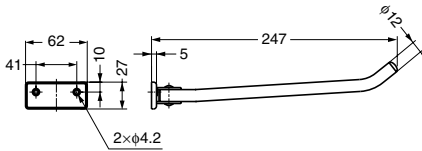
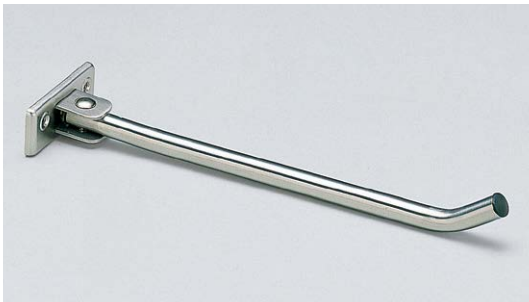
SWINGING HANGER

TEST METHOD 4

STAINLESS 304 STEEL

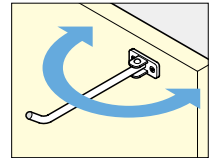
STAINLESS

HM-250Y



Parts Included

Raised countersunk head wood screw 3.5x20 (SUS)



Item Code	Item Name	Material	Finish	Load Capacity	Weight	Box	Carton	
110-020-088	HM-250Y	Stainless Steel (SUS304)/EPDM	Satin	29.4 N	3 kgf	136 g	10 pcs	100 pcs

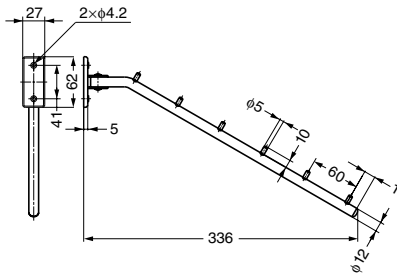
SWINGING HANGER

TEST METHOD 4

STAINLESS 304 STEEL

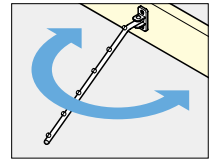
STAINLESS

HM-330



Parts Included

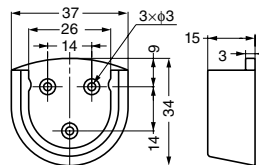
Raised countersunk head wood screw 3.5x20 (SUS)



Item Code	Item Name	Material	Finish	Load Capacity	Weight	Box	Carton	
110-020-089	HM-330	Stainless Steel (SUS304)/EPDM	Satin	29.4 N	3 kgf	190 g	10 pcs	100 pcs

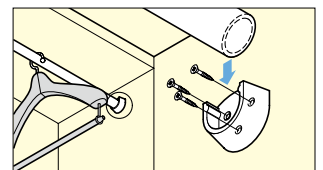
PLASTIC SOCKET

PS-37



Features

Ideal for holding pipes in wardrobes.



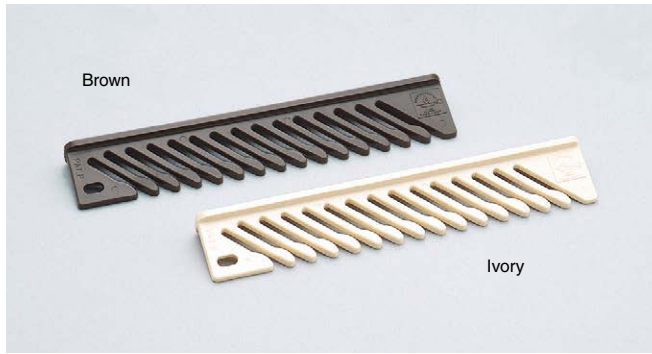
Item Code	Item Name	Material	Colour	Load Capacity	Weight	Box	Carton	
110-030-118	PS-37	Polystyrene	White	196 N/2 pcs	20 kgf/2 pcs	8 g	100 pcs	900 pcs

WARDROBE & CABINET DOOR HARDWARE

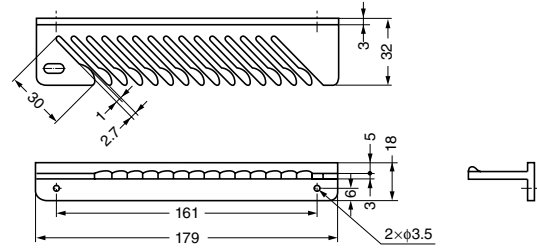
SWINGING HANGER / PLASTIC SOCKET

TIE RACK

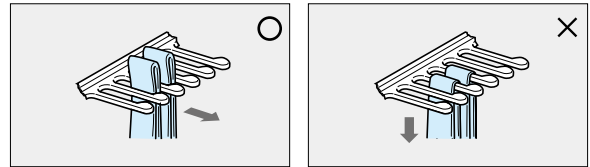
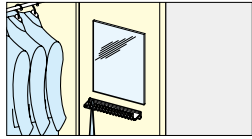
TIEM



Remarks
Screws not included.



Application Example

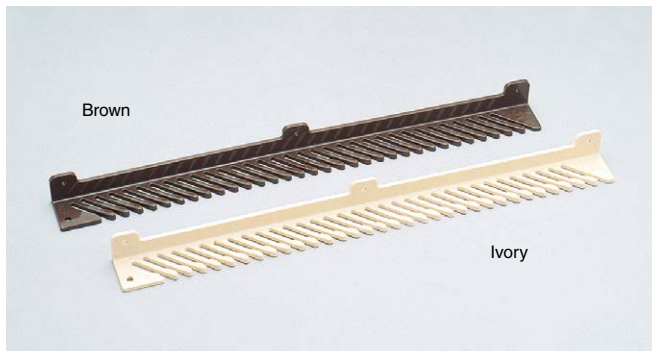


Item Code	Item Name	Material	Colour	Load Capacity/position	Weight	Box	Carton
110-020-124	TIEM-BR	Polycarbonate (PC)	Brown	2.94 N 0.3 kgf	22 g	20 pcs	400 pcs
110-020-125	TIEM-I	Polycarbonate (PC)	Ivory	2.94 N 0.3 kgf	22 g	20 pcs	400 pcs

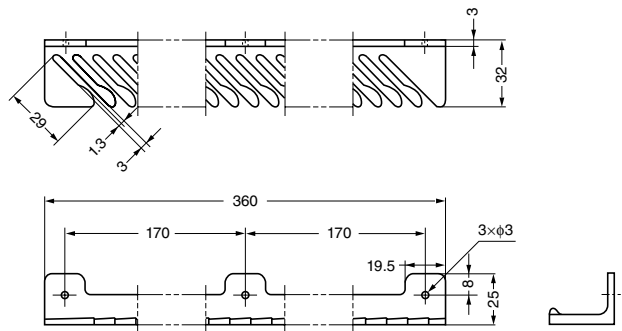
TIE RACK



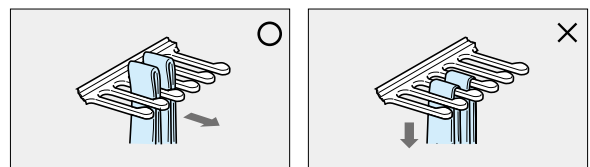
TIE-33



Parts Included
Wood screws



Application Example

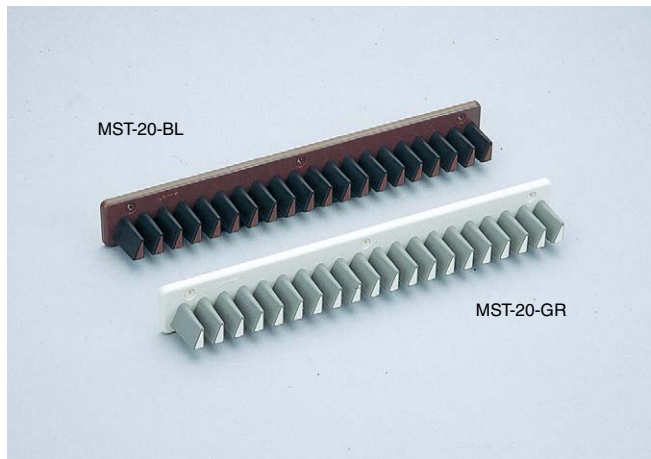


Item Code	Item Name	Material	Colour	Load Capacity/position	Weight	Box	Carton
110-020-126	TIE-33BR	Polycarbonate (PC)	Brown	2.94 N 0.3 kgf	50 g	20 pcs	300 pcs
110-020-127	TIE-33I	Polycarbonate (PC)	Ivory	2.94 N 0.3 kgf	50 g	20 pcs	300 pcs

TIE RACK



MST-20

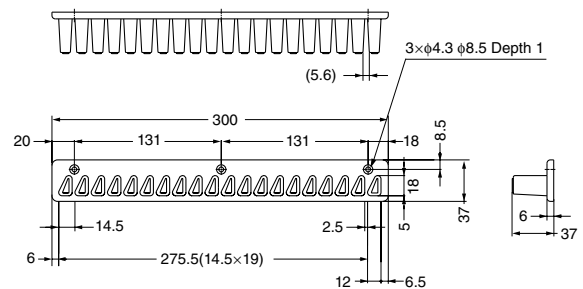


Features

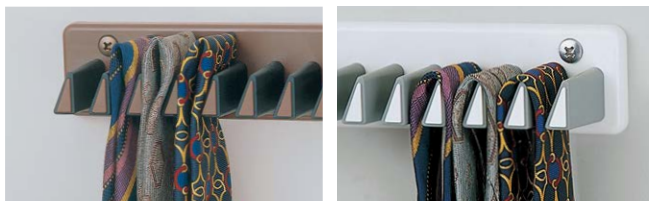
2 ways of holding possible depending on tie thickness.

Parts Included

Binding head tapping screw 4 × 14 (SUS)



Application Example



Part Name	Material
Body	ABS
Stopper	Elastomer (TPE)

Item Code	Item Name	Colour	Load Capacity/position	Weight	Box	Carton
110-025-304	MST-20BL	Brown+Black	2.94 N	0.3 kgf	116 g	10 pcs / 120 pcs
110-025-305	MST-20GR	Ivory+Grey	2.94 N	0.3 kgf	116 g	10 pcs / 120 pcs

TIE RACK



TR



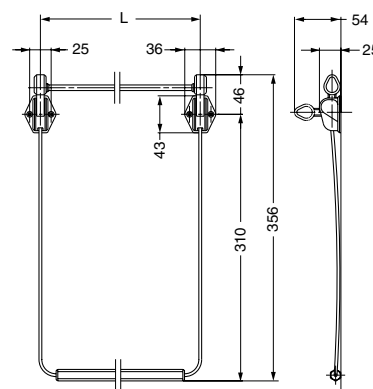
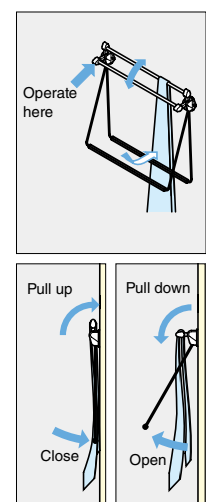
Features

Holding bar keeps the ties tidy.

Parts Included

Round head wood screw 3.1 × 16

How to Use



Item Code	Item Name	Material	Colour/Finish	L	Weight	Box	Carton
110-020-110	TR-300	Polyamide (PA) and Polyacetal (POM)/Steel	Brown/Chrome	300	190 g	10 pcs	80 pcs
110-020-111	TR-350	Polyamide (PA) and Polyacetal (POM)/Steel	Brown/Chrome	350	210 g	10 pcs	80 pcs
110-020-112	TR-400	Polyamide (PA) and Polyacetal (POM)/Steel	Brown/Chrome	400	243 g	10 pcs	80 pcs

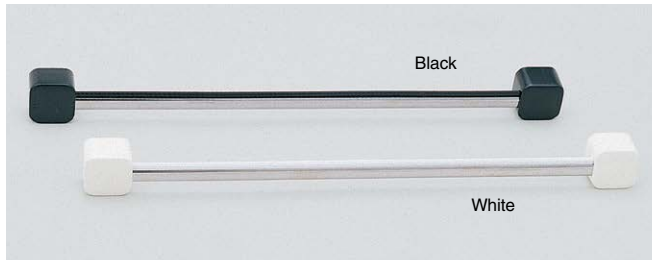
*Limited stock available Please contact your vendor.



TIE RACK

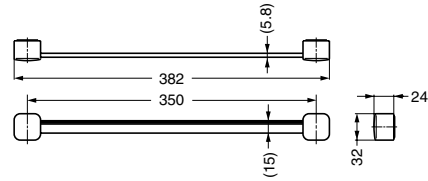


S-350



Parts Included

- Truss head tapping screw 3 × 16



Item Code	Item Name	Material	Colour/Finish	Weight	Box	Carton
110-020-118	S-350W	ABS/Stainless Steel (SUS304)	White/Polished	80 g	10 pcs	100 pcs
110-020-119	S-350B	ABS/Stainless Steel (SUS304)	Black/Polished	80 g	10 pcs	100 pcs

TIE RACK

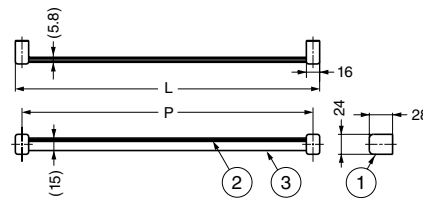


STR

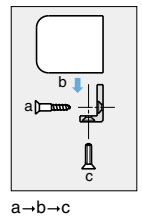


Parts Included

- Round head wood screw 3.1 × 16 (Chromate)
- Countersunk head screw M3 × 8 (Chrome)



Installation



Item Code	Item Name	L	P	Weight	Box	Carton
110-020-244	STR-300	316	300	160 g	10 pcs	60 pcs
110-020-245	STR-350	366	350	170 g	10 pcs	60 pcs
110-020-246	STR-400	416	400	180 g	10 pcs	60 pcs
110-020-153	STR-450	466	450	190 g	10 pcs	60 pcs

No.	Material	Finish/Colour
①	Zinc Alloy (ZDC)	Chrome
②	Vinyl Chloride Resin (PVC)	Black
③	Stainless Steel (SUS304)	Mirror

TIE RACK

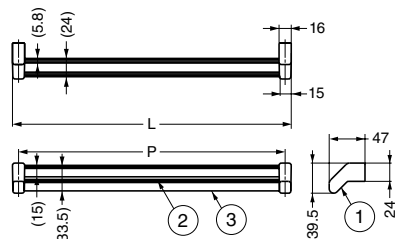


DTR

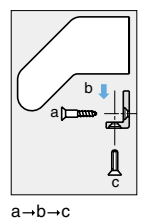


Parts Included

- Round head wood screw 3.1 × 16 (Chromate)
- Countersunk head screw M3 × 8 (Chrome)



Installation



Item Code	Item Name	L	P	Weight	Box	Carton
110-020-154	DTR-350	366	350	250 g	5 pcs	30 pcs
110-020-155	DTR-400	416	400	270 g	5 pcs	30 pcs
110-020-156	DTR-450	466	450	285 g	5 pcs	30 pcs

No.	Material	Finish/Colour
①	Zinc Alloy (ZDC)	Chrome
②	Vinyl Chloride Resin (PVC)	Black
③	Stainless Steel (SUS304)	Mirror