

BRACKETS SHELVING SYSTEM

BRACKETS

Picture	Item Name	Load Capacity (kgf)	Page
	BTK-UB NEW	12 - 25	155-2
	CTB NEW	-	155-7
	BY	STAINLESS 304 STEEL 50	156
	SV	STAINLESS 304 STEEL 8 - 14	156
	BA	5 - 11	157
	BU200	30	157
	XL-SA01	STAINLESS 304 STEEL 12 - 23	158
	SU	STAINLESS 304 STEEL 4 - 6	158
	SU-A	STAINLESS 304 STEEL 9 - 24	159
	SU-B	STAINLESS 304 STEEL 10 - 13	159
	BT, BTK	STAINLESS 304 STEEL 15 - 82.5	162
	TT, TTK	STAINLESS 304 STEEL 25 - 82.5	163
	SSA	STAINLESS 304 STEEL 150/pair	180

FOLDING BRACKETS

Picture	Item Name	Load Capacity (kgf)	Page
	EB NEW	175 - 200	155-1
	EBD NEW	-	155-1
	GTS-300	STAINLESS 304 STEEL 3	160
	388	35 - 80	160
	BOS-180, BOS-240	STAINLESS 304 STEEL 33 - 40	161
	BTO	STAINLESS 304 STEEL 40.8	161

SHELF ORGANIZERS

SP/SPS **STAINLESS 430 STEEL** **STAINLESS 304 STEEL** Page 166-168

SP-35 SPB-15R SPB-20 SPF-20
SPF-20LC SPF-20A SPB-200 SP-18E

SM (COVERED SLOT) **STAINLESS 304 STEEL** Page 169

SMB-15R SPM-20B
SP-18E

SPH (HEAVY DUTY) **STAINLESS 304 STEEL** Page 170-171

SPH-20 SPH-5
SPH-15 SP-18E

SPHL (HEAVY DUTY) **STAINLESS 304 STEEL** Page 155-3, 172

SPHL-FB200 SPHL-30
SPHL-25 SPHL-23E



SPN
(NARROW PROFILE)

STAINLESS
430
STEEL

Page
173



SPN-15



SPN-17EC



SPW
(W/ COVER)

STAINLESS
430
STEEL

Page
179



SPW-20



SPW-EC20



SP-18E



SPE
(THIN PROFILE)

STAINLESS
430
STEEL

Page
174



SPE-FB20S



OTHERS

COUNTERSUNK WASHERS

Page
181



SETUP



CS-492



AP-DM, AP-DH
(ALUMINIUM)

Page
155-4 - 155-6,
175-178



AP-SB350-SL



AP-SBP150-WT



AP-SP



AP-SH-WT



AP-S32PS



AP-FB20



AP-FC20



AP-EC20



AP-FA20



AP-FK20D, FK20C



AP-FB120



AP-FK20

CAPS

Page
182



KD-771, KD772, KD773W

KD

DOWELS

Page
183-187



SS-323

SS-324

SS-307

SS-318



SS-322



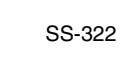
SS-320



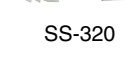
SS-321



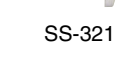
SS-313



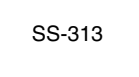
SS-312



SS-310



SS-311



SS-309



SS-319



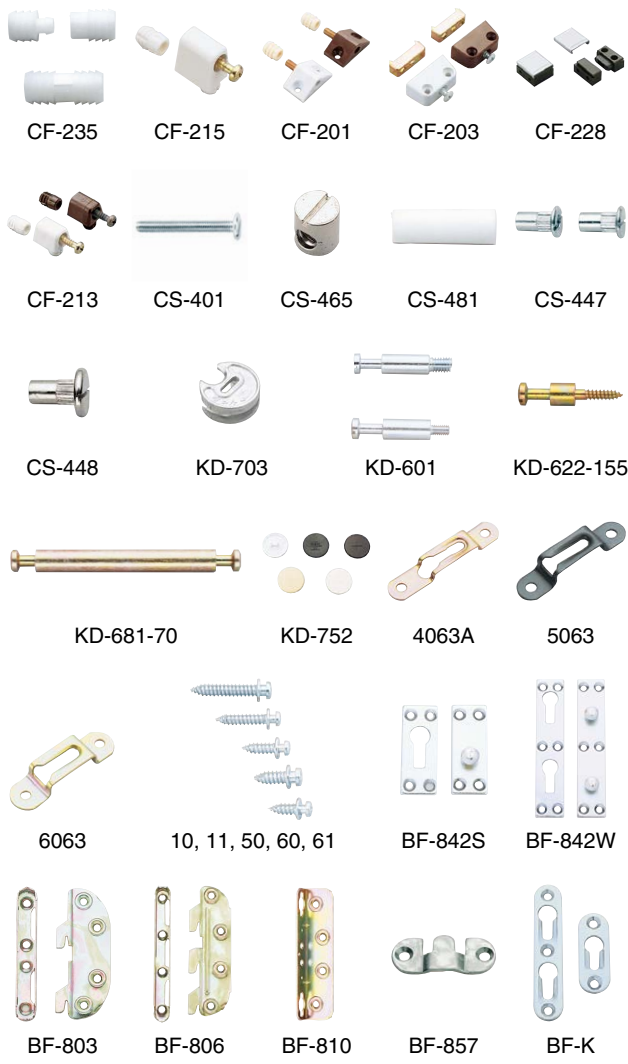
SS-108



CF-237

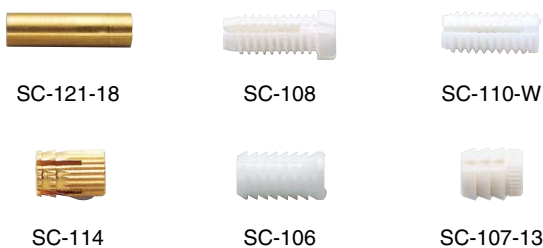
CORNER FASTENERS & CONNECTORS

Page 187-195



BUSHINGS

Page 191



GLASS SHELF CLAMPS

Picture	Item Name	Page
	GPA-A1-SM NEW	155-8
	GPA-F2-SM NEW	155-9
	GPA-F1-SM NEW	155-10
	GPA-S1-SM NEW	155-10
	ZL-2202 STAINLESS 316 STEEL	196
	ZL-2203 STAINLESS 316 STEEL	196
	ZL-2201 STAINLESS 316 STEEL	197
	SPV-G01-GP	198
	ZL-3102-40 STAINLESS 316 STEEL	198
	ZL-3101-200 STAINLESS 316 STEEL	198

MONITOR BRACKET

Picture	Item Name	Page
	KA-T100S50 NEW	155-11
	FSL-V36 NEW	155-13
	FSL-MB NEW	155-14
	FSL-L NEW	155-14
	FSL-EC NEW	155-14
	FSL-S4 NEW	155-14

SHELVING SYSTEMS



XLA-US02B P.200-203
UNIT SHELF TYPE "B"



XLA-US02C P.204-206
UNIT SHELF TYPE "C"



XLA-US02K P.207-210
UNIT SHELF TYPE "K"



VT-DS P.211
LEVEL ADJUSTABLE SHELVING SYSTEM



VT-DF P.212
LEVEL ADJUSTABLE SHELVING SYSTEM



VT P.213-216
SHELVING SYSTEM



FLUQS. 250/750 P.218-219
WALL SHELVING SYSTEM



FLUQS. 25/ONE P.220-221
WALL SHELVING SYSTEM

BRACKETS &
SHELVING SYSTEM

INDEX

FOLDING BRACKET

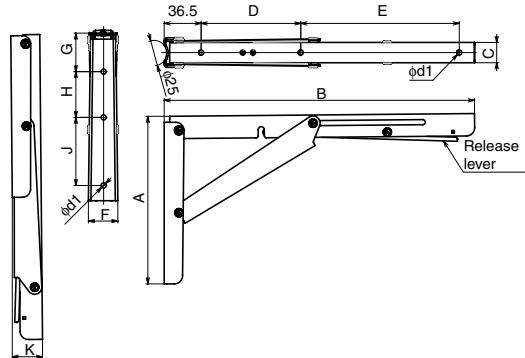
LOAD CAPACITY 200 kgf **NSF SUS** **EB**



Item Name	A	B	C	D	E	F	G	H	J	K	d ₁
EB-200/EP	116	199.5	20	155	-	29	21	80	-	28.5	5
EB-303/EP	165	305.5	24	98	156	36	38	45	67	30	6
EB-317/EP	171	317									

Features

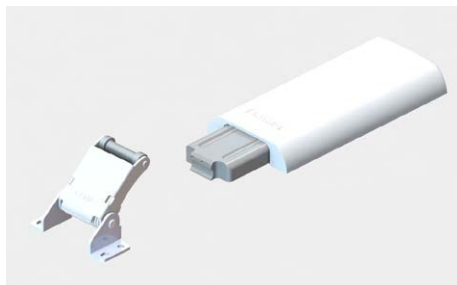
- Automatically locks when flap is in opened position.
- Press lever to release the lock.
- Bracket with hinge function in one unit.



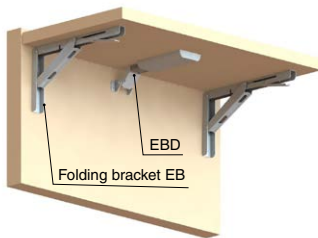
CAD	Item Code	Item Name	Material	Finish	Load Capacity N	Load Capacity kgf	Weight (g)	Box (pcs)	Carton (pcs)
2D/3D	120-041-277	EB-200/EP	Stainless Steel (SUS304)	Mirror	1716	175	332	50	-
2D/3D	120-018-226	EB-303/EP	Stainless Steel (SUS304)	Mirror	1471	150	500	20	-
2D/3D	120-041-278	EB-317/EP	Stainless Steel (SUS304)	Mirror	1961	200	750	25	-

DAMPER FOR EB FOLDING BRACKET

Lapcon **INSTRUCTION** **EBD**



Application Example



Features

- Designed for use in combination with EB folding bracket.
- Lapcon damper mechanism prevents shelf from slamming when released.
- Installation position is easy to determine with supplied template.

Remarks

- Make sure to have sufficient in installation place strength.
- Please completely close shelf board with hands.

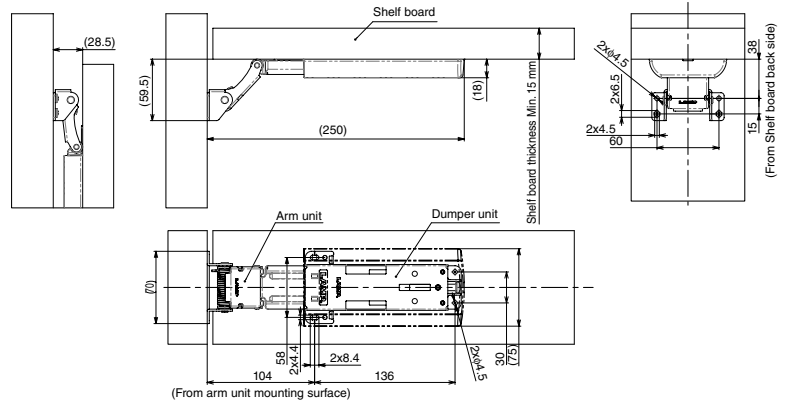
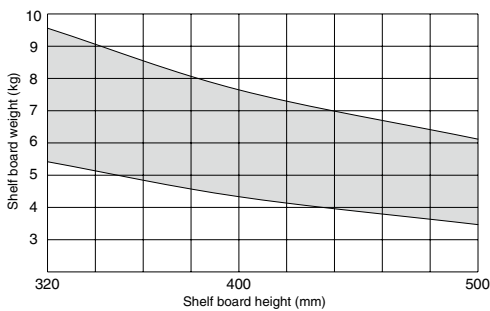
Parts Included

- Binding head tapping screw 4x16
- Template

Sold Separately

Folding bracket EB

Shelf board Size Range

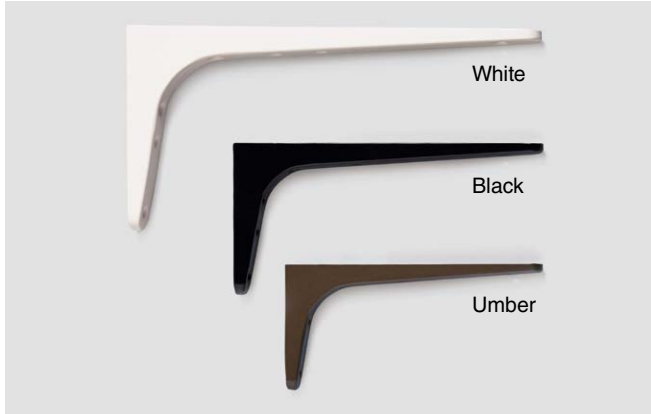


CAD	Item Code	Item Name	Material	Finish	Maximum Door Moment N-m	Maximum Door Moment kgf-cm	Flap thickness	Weight (g)	Box (pcs)	Carton (pcs)
2D/3D	120-034-867	EBD	ABS/POM/Steel	Off-White/Zinc/Chrome	8.5 - 15	86.7 - 153.0	Min. 15	400	1	20

BRACKET (COMPACT TYPE)

TEST METHOD 6

BTK-UB



Features

- Height is less than half of that of BTK type. Compact design with short mounting bracket.
- Maximises space under the top board.
- Strong and safe design.
- Perfectly fits at the corner.

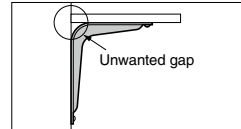
Remarks

- To prevent inclination due to the load when using as a shelf bracket, the opening angle is slightly more than 90°. Please check with actual item.

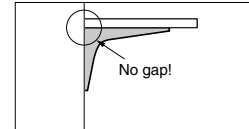
Parts Included

Raised countersunk head wood screw

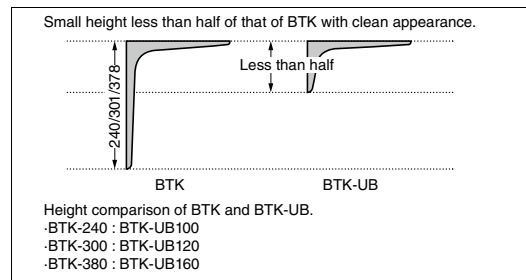
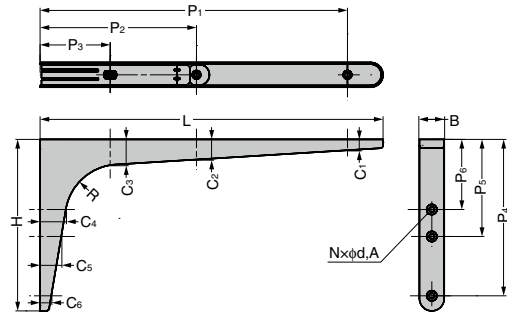
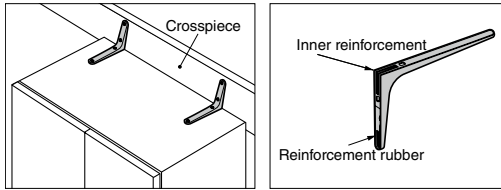
Conventional bracket



BTK-UB



For Fall Prevention



Part Name	Material	Finish / Colour	Countersunk Head Wood Screw (Head Only)
BTK-UB (White)	Steel (SECC)	White Powder Coating	White Enamel Finish
BTK-UB (Black)		Black Powder Coating	Black Enamel Finish
BTK-UB (Umber)		Umber Enamel Finish	
Reinforcement Rubber	Rubber (EPM)		-

Body

CAD	Item Code	Item Name	Colour	H	L	B	P ₁	P ₂	P ₃	P ₄	P ₅	P ₆	Load Capacity N/pc	Load Capacity kgf/pc	Weight (g)	Box (pcs)	Carton (pcs)
2020	120-033-596	BTK-UB100W	White	99.5	199	18	176	91	45	85	45	-	117.6	12	171	10	-
2020	120-033-597	BTK-UB100B	Black													10	-
2020	120-033-598	BTK-UB100UM	Umber													10	-
2020	120-033-599	BTK-UB120W	White	119.5	238.5	20	206.5	92.5	105.5	71.5	45	196	20	232	10	-	
2020	120-033-600	BTK-UB120B	Black												10	-	
2020	120-033-601	BTK-UB120UM	Umber												10	-	
2020	120-033-602	BTK-UB160W	White	159	318	23	285	145	65	145	91	65	245	25	382	10	-
2020	120-033-603	BTK-UB160B	Black													10	-
2020	120-033-604	BTK-UB160UM	Umber													10	-

Item Name	d	Holes N	Weight (g)	A	C ₁	C ₂	C ₃	C ₄	C ₅	C ₆	R	Screw (Countersunk Head Wood Screw)	
BTK-UB100	4	5	170	8	(7)	(14)	(19)	(12)	-	(10)	(35)	3.5x16 (1 pc)	
													3.5x25 (1 pc)
BTK-UB120	6	6	230	8	(8)	(16)	(21)	(21.5)	(18)	(10)	(35)	3.8x32 (2 pcs)	
													3.8x38 (1 pc)
													3.5x38 (1 pc)
BTK-UB160	5	5	380	10	(9)	(19.5)	(24.5)	(25)	(22)	(10)	(52)	3.5x45 (1 pc)	
													3.5x20 (1 pc)
													3.8x32 (1 pc)
													3.8x38 (1 pc)
											4.5x25 (1 pc)		
												4.5x45 (2 pcs)	



SPHL-FB200

SHELF HOLDER (FOR SPHL-1820)

BRACKETS & SHELVING SYSTEM

SHELF HOLDER (FOR SPHL-1820)



Features

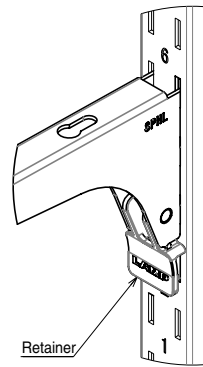
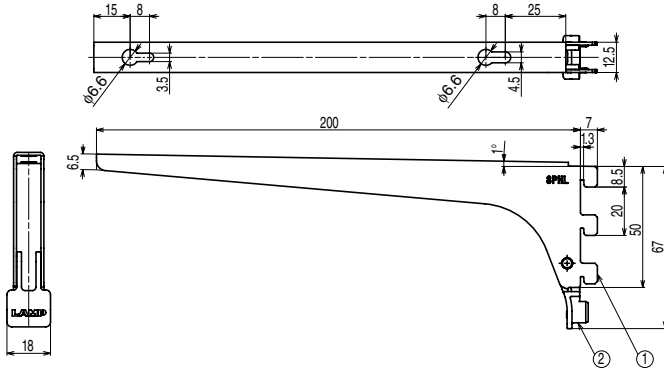
- For shelf standard SPHL-1820.
- 2 brackets required for 1 shelf.
- With retainer to prevent from coming off from shelf standard.

Remarks

- Max. shelf board width: 900 mm.
- Load capacity varies depending on shelf board depth. (See table)
- Load capacity includes shelf board weight.
- When fixing shelf standard on wall, be sure to install it in the position with pillar or other solid substrates.

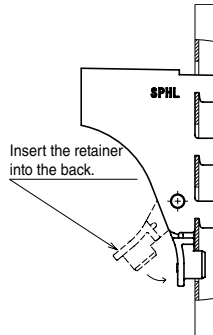
Parts Included

Pan head tapping screw 3×12 (SUS)

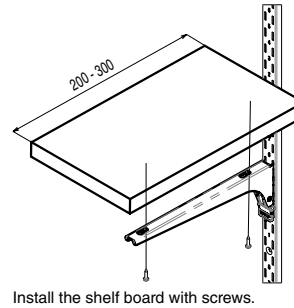


No.	Part Name	Material	Finish/Colour
①	Body	Stainless Steel (SUS430)	Satin
②	Retainer	PP	White

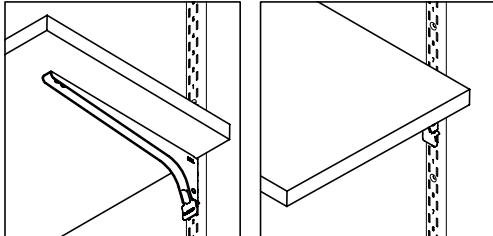
Shelf Standard Installation



Shelf Board Installation



Application Example



CAD	Item Code	Item Name	Shelf Board Depth 200 - 250 mm		Shelf Board Depth 250 - 300 mm		Weight (g)	Box (pcs)	Carton (pcs)
			Load Capacity N/2 pcs	Load Capacity kgf/2 pcs	Load Capacity N/2 pcs	Load Capacity kgf/2 pcs			
2030	120-036-485	SPHL-FB200	196	20	137	14	75	20	200

STORAGE TRAY FOR SHELF STANDARD (FOR AP-DM) INSTRUCTION AP-SB350-SL



Features

- Designed to install to the shelf standard for storing small articles.
- Can be used as a towel rack when bottom plate is removed.
- Recommended to install on the back side of the cabinet door using heavy duty concealed hinge J95.

Remarks

- The spacing between shelf standards shall be within 320 mm.
- Before installing or removing the product, please read the label attached to the product or the installation instruction on our website.

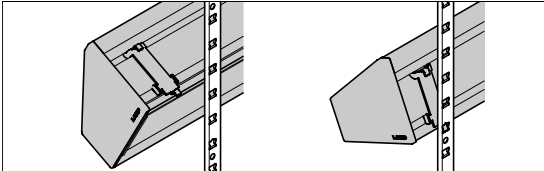
Sold Separately

Shelf standard AP-DM

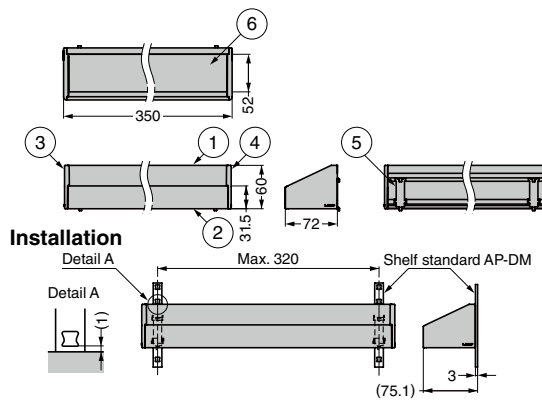
Application Example With bottom plate removed



How to Install



No.	Part Name	Material	Finish / Colour
①	Base Plate A	Aluminium Alloy	Anodised Silver
②	Base Plate B		
③	End Cap L	ABS	White
④	End Cap R		
⑤	Bracket	Stainless Steel (SUS304)	Barrel Polished
⑥	Bottom Plate	Aluminium Alloy	Anodised Silver



CAD	Item Code	Item Name	Load Capacity N/pc	Load Capacity kgf/pc	Weight (g)	Box (pcs)	Carton (pcs)
	120-036-232	AP-SB350-SL	49	5	540	1	20

PLASTIC BOX FOR SHELF STANDARD SYSTEM (ALUMINIUM SHELF STANDARD FOR AP-DM) INSTRUCTION AP-SBP150-WT



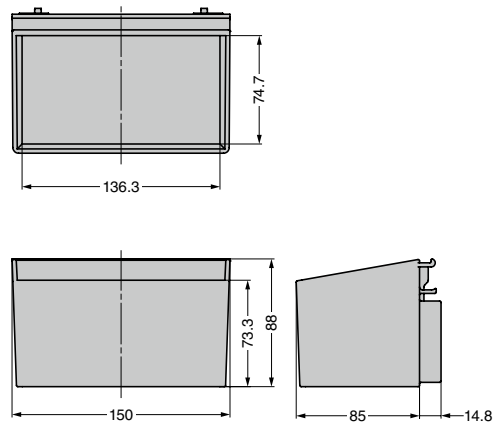
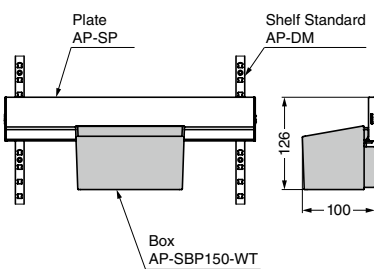
Features

- A box that can be mounted to the AP-SP Plate for Shelf Standard System to store small items.
- Made from lightweight resin.
- One-touch installation on the plate.
- After installing, simply slide to the desired position.

Sold Separately

- AP-DM Series
 - AP-DM Aluminium Shelf Standard
 - AP-SP Plate for Shelf Standard System

Installation

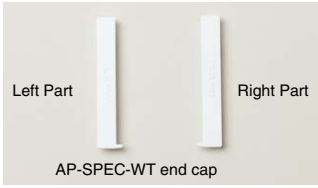


CAD	Item Code	Item Name	Material	Load Capacity N	Load Capacity kgf	Weight (g)	Carton (pcs)
	120-041-354	AP-SBP150-WT	ABS Resin	19.6	2	195	40

PLATE FOR SHELF STANDARD SYSTEM (ALUMINIUM SHELF STANDARD FOR AP-DM)



AP-SP



Features

- A plate that attaches to the AP-DM shelf standard to hang various optional parts.
- The installation method is the same as for the AP-SB350-SL Plastic Box for Shelf Standard System.

Remarks

- When mounting or removing the product, be sure to read the sticker included or the instruction manual on our website.
- After mounting, check that the top of the plate and part A are aligned as shown in Part A Details. If the holes of the shelf standard are covered or the plate is bent, the product may fall. Remove and reinstall.

Parts Included

- AP-SP345-SL only
- AP-SPEC-WT End Caps (Set of L and R)
- AP-SHB Bracket (x2)
- *Not included with AP-SP1480-SL. Order the necessary quantity separately.

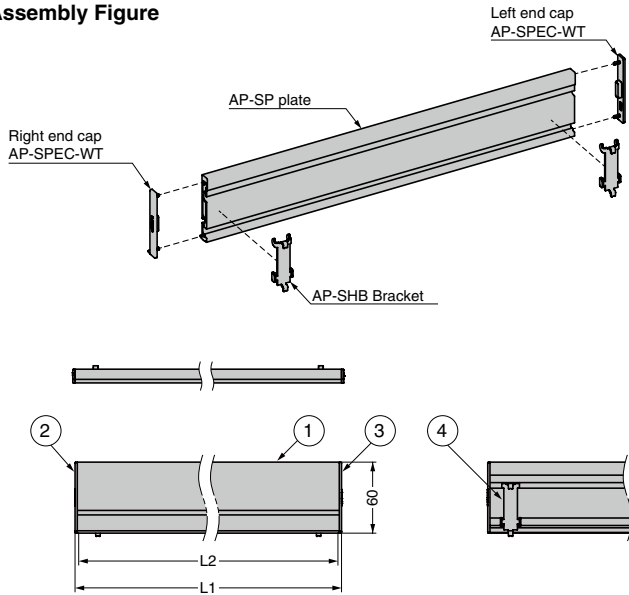
Sold Separately

- AP-SHB Bracket
- AP-DM Aluminium Shelf Standard

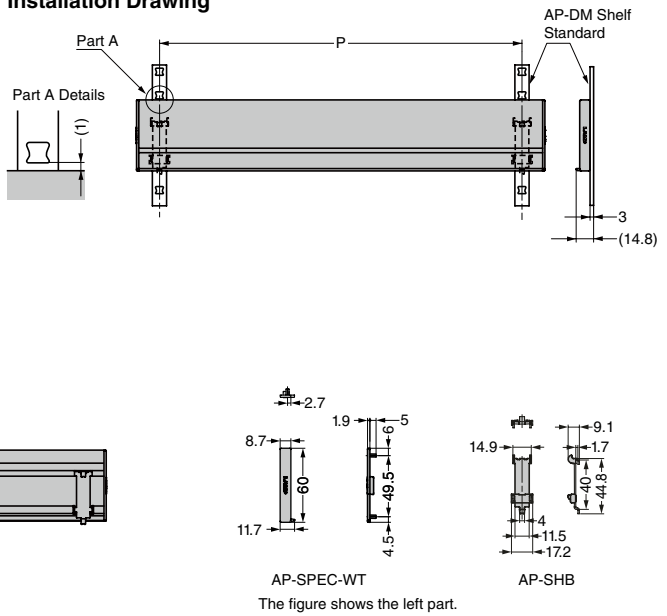
Optional Parts

- AP-SPEC-WT End Caps (Set of L and R)
- AP-SH-WT Hook for Shelf Standard System
- AP-SBP150-WT Plastic Box for Shelf Standard System
- AP-S32PS Pipe Socket for Shelf Standard System

Assembly Figure



Installation Drawing



No.	Part Name	Material	Finish/Colour
①	Base Plate A	Aluminium Alloy	Silver Anodising
②	End Cap L	ABS Resin	White
③	End Cap R		
④	Bracket	Stainless Steel (SUS304)	Barrel Polished

Main Body

CAD	Item Code	Item Name	L1	L2	Max. Shelf Standard Pitch	Specifications	Weight (g)	Box	Carton (sets)
	120-036-233	AP-SP345-SL	345	341.2	320	No Cutting Required	219	1set	40
	120-041-355	AP-SP1480-SL	-	1480	-	For Cutting	951	10 pcs	-

Brackets: Sold Separately

CAD	Item Code	Item Name	Material	Finish
	120-041-479	AP-SHB	Stainless Steel (SUS304)	Gloss Barrel Polished

This product is sold in bags of 2 pieces each. An order quantity of 1 indicates one bag.

End Caps: Optional Parts

CAD	Item Code	Item Name	Material	Colour
	120-041-480	AP-SPEC-WT	ABS Resin	White

This product is sold in bags containing one left part and one right part. An order quantity of 1 indicates one bag.



HOOK FOR SHELF STANDARD (FOR AP-DM)

AP-SH-WT



Features

Designed to install to the plate for shelf standard AP-SP345-SL.

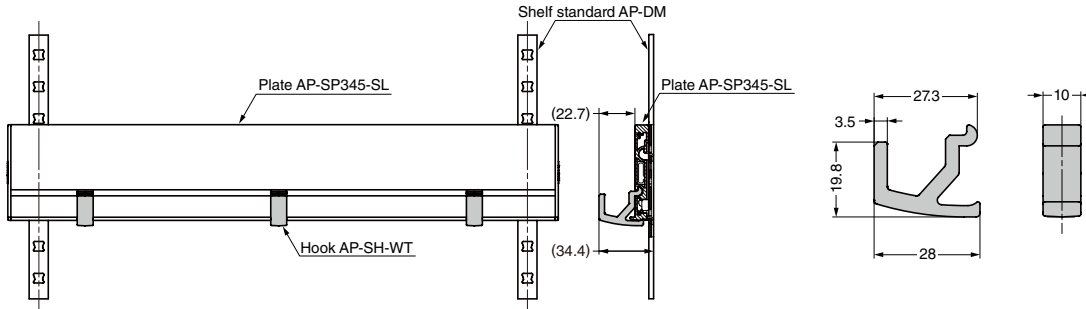
Remarks

Up to 5 hooks can be installed to 1 plate.

Sold Separately

- Shelf standard AP-DM
- Plate for shelf standard AP-SP345-SL

Installation



CAD	Item Code	Item Name	Material	Colour	Load Capacity N	Load Capacity kgf	Weight (g)	Box (pcs)	Carton (pcs)
	120-036-234	AP-SH-WT	ABS	White	9.8	1	2	60	600

PIPE SOCKET FOR SHELF STANDARD (FOR AP-DM)

AP-S32PS



Features

- Used for installing hanger pipe to the plate for shelf standard AP-SP345-SL.
- Sold in pairs.

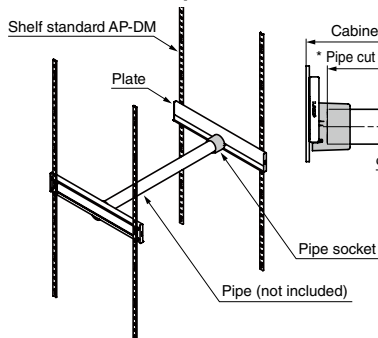
Remarks

- 4 shelf standards and 2 plates are required for installing a hanger pipe with this product.
- Hanger pipe not included.
- For hanger pipe length, please contact local representatives.
- Up to 2 pcs of pipe sockets can be installed on 1 pair of plates.

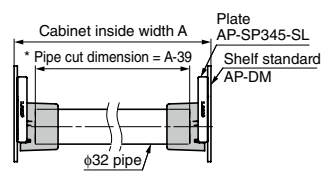
Sold Separately

- Shelf standard AP-DM
- Plate for shelf standard AP-SP345-SL

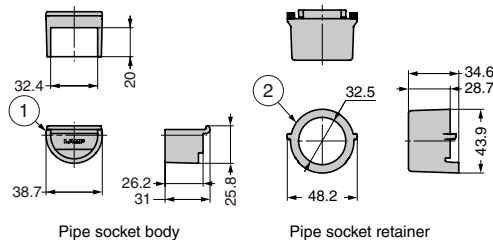
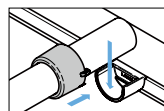
Installation Example



Installation



How to Install



No.	Part Name	Material	Finish / Colour
①	Pipe Socket Body	Zinc Alloy (ZDC)	Clear Zinc Chromate (Trivalent)
②	Pipe Socket Retainer	ABS	White

CAD	Item Code	Item Name	Pipe Dia.	Load Capacity N/set	Load Capacity kgf/set	Weight (g)	Box (sets)	Carton (sets)
	120-036-235	AP-S32PS	32	441	45	57	8	80

RAISED COUNTER BRACKET

Under Development

CTB



Features

- A raised bracket ideal for mounting an additional tabletop to a countertop or wall.
- A cable can be passed through the inside.

Specifications

- Product shapes
 - Straight arm
 - Slanted arm
- Installation specifications
 - Tabletop mount
 - Wall mount
- Mounting screw types
 - Rear screws
 - Front screws

Application

Counters in shops, etc., kitchen counters

Remarks

Ensure that the material of the mounting surface is hard and strong enough, and securely tighten the fixing screws.

Product Variations

Rear Screw Mounting	<p>Tabletop Mount: Straight Arm</p>	<p>Tabletop Mount: Slanted Arm</p>	
Front Screw Mounting	<p>Tabletop Mount: Straight Arm</p>	<p>Tabletop Mount: Slanted Arm</p>	<p>Wall Mount: Slanted Arm</p>

POINT FIX

Under Development

SUS TEMPERED GLASS

GPA-A1-SM



Features

- Can be mounted to an arm to create a glass fence.
- 2 way adjustment function (Horizontal ± 5 mm, depth ± 4 mm).

Remarks

Specialized tool required for mounting.

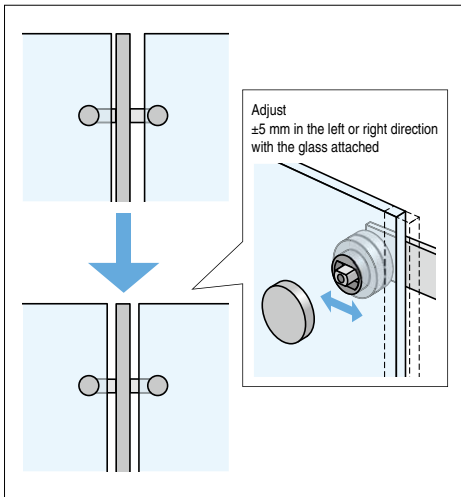
Sold Separately

Dedicated tool: 19-0702-050-00

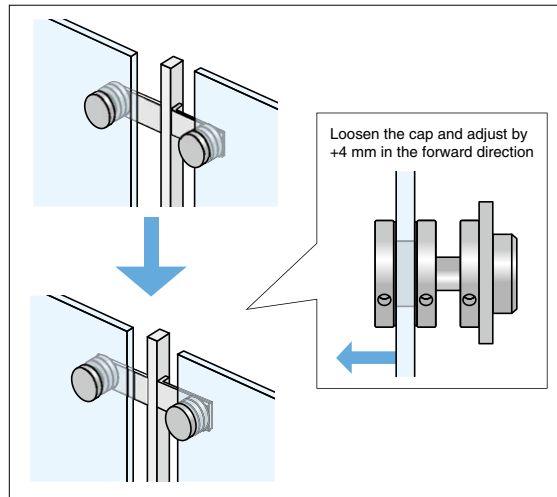
BRACKETS & SHELVING SYSTEM

POINT FIX

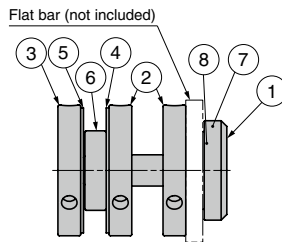
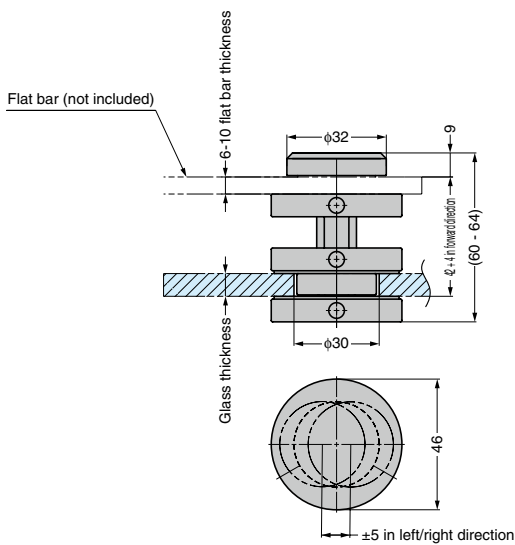
Extremely easy to adjust - the position can be adjusted with the glass attached



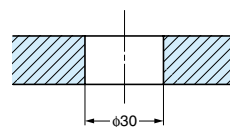
The fence can be moved left or right after attaching the glass.



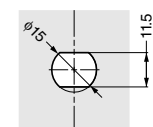
Variance in the fence can be adjusted after attaching the glass.



Cut Out Dimensions



Flat Bar Dimensions



No.	Part Name	Material	Finish/Colour
①	Shaft	Stainless Steel (SCS13)	Polished
②	Nut	Stainless Steel (SUS304)	
③	Cap	Stainless Steel (SUS304)	
④	Seal A	Chloroprene Rubber (CR)	Black
⑤	Seal B		
⑥	Left/right Adjustable Bushing	Polyacetal (POM)	Natural
⑦	M14 Spring Washer	Stainless Steel	-
⑧	Plain Washer Nominal 14		



Main Body

CAD	Item Code	Item Name	Glass Thickness	Weight (g)	Box (pcs)	Carton (pcs)
2030	120-042-223	GPA-A1-SM	8 - 13.5	377	8	32

Dedicated Tool (Sold Separately)

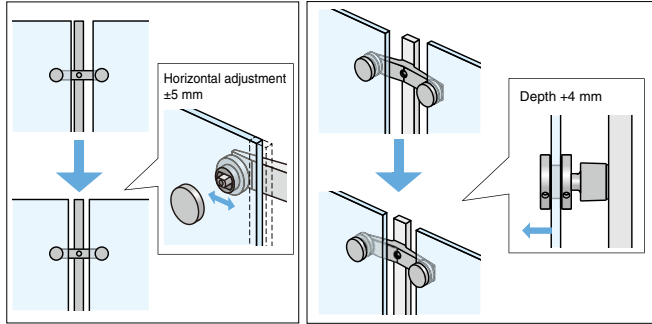
CAD	Item Code	Item Name
-	270-021-337	19-0702-050-00

POINT FIX ARM TYPE

Features

- Glass fence can be created by fixing the glass plates between posts.
- Two types available: Front-mounting arm type and Side-mounting arm type.

Easy Installation: adjustable after mounting the glass plates.

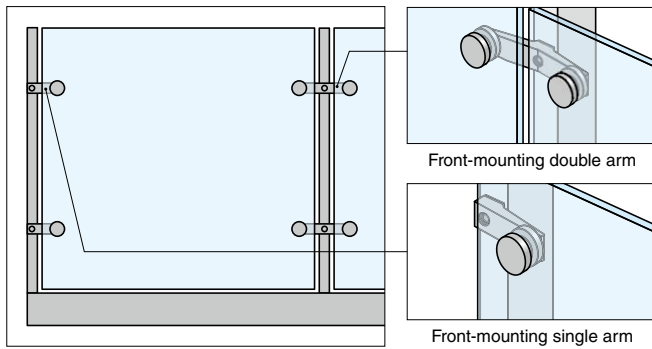


Adjustable after mounting the glass plates.

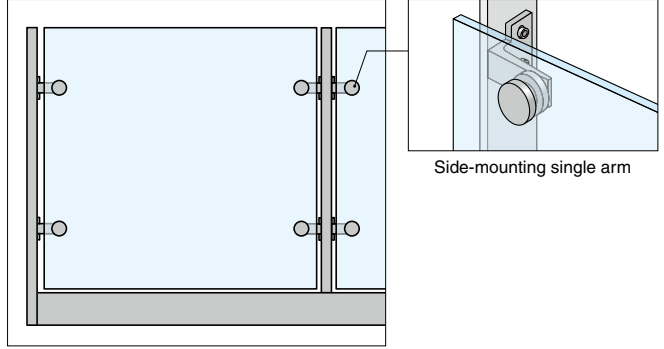
Smart design from every angle.



Front-mounting arm type



Side-mounting arm type



POINT FIX FRONT-MOUNTING ARM TYPE



Features

- Glass fence can be created by fixing the glass plates between posts.
- Adjustable after mounting the glass plates.
- Recommended Glass Weight: 35 kg (Using 4 pcs when installed vertically.)
- Specialized tool required for mounting.

Parts Included

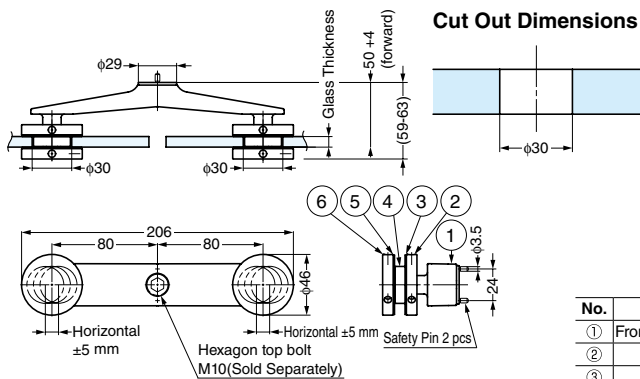
Safety Pin

Sold Separately

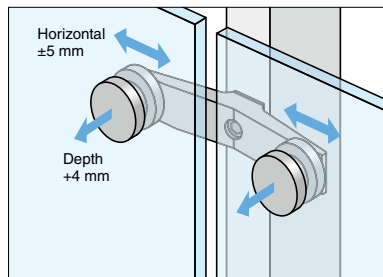
GPA Mounting Tool 19-0702-050-00

Recommended Screw

Hexagon top bolt (Stainless Steel) M10



Adjustment Range



GPA Mounting Tool (Sold Separately)

CAD	Item Code	Item Name	Glass Thickness	Box (pcs)	Carton (pcs)
	120-036-907	GPA-F2-SM	8-13.5	4	12

No.	Part Name	Material	Finish / Colour
①	Front-mounting arm	Stainless Steel (SCS13)	Mirror
②	Nut	Stainless Steel (SUS304)	Mirror
③	Gasket A	Chloroprene rubber (CR)	Black
④	Horizontal adjustment bush	Polyacetal (POM)	Natural
⑤	Gasket B	Chloroprene rubber (CR)	Black
⑥	Cap	Stainless Steel (SUS304)	Mirror

CAD	Item Code	Item Name
-	270-021-337	19-0702-050-00

POINT FIX ARM TYPE FRONT-MOUNTING ARM TYPE TEMPERED GLASS SUS **GPA-F1-SM**



Features

- Glass fence can be created by fixing the glass plates between posts.
- Adjustable after mounting the glass plates.
- Non-handed
- Recommended Glass Weight: 35 kg (Using 4 pcs when installed vertically.)
- Specialized tool required for mounting.

Parts Included

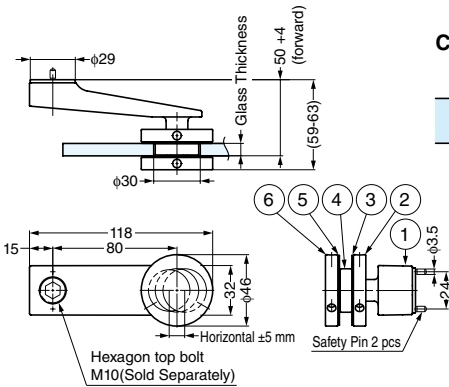
Safety Pin

Sold Separately

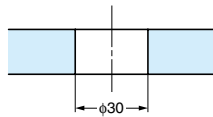
GPA Mounting Tool 19-0702-050-00

Recommended Screw

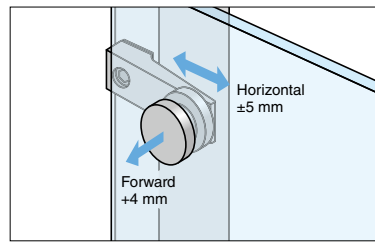
Hexagon top bolt (Stainless Steel) M10



Cut Out Dimensions



Adjustment Range



No.	Part Name	Material	Finish / Colour
①	Front-mounting arm	Stainless Steel (SCS13)	Mirror
②	Nut	Stainless Steel (SUS304)	Mirror
③	Gasket A	Chloroprene rubber (CR)	Black
④	Horizontal adjustment bush	Polyacetal (POM)	Natural
⑤	Gasket B	Chloroprene rubber (CR)	Black
⑥	Cap	Stainless Steel (SUS304)	Mirror



GPA Mounting Tool (Sold Separately)

CAD	Item Code	Item Name	Glass Thickness	Box (pcs)	Carton (pcs)
	120-036-906	GPA-F1-SM	8-13.5	4	20

CAD	Item Code	Item Name
-	270-021-337	19-0702-050-00

POINT FIX ARM TYPE SIDE-MOUNTING ARM TYPE TEMPERED GLASS SUS **GPA-S1-SM**



Features

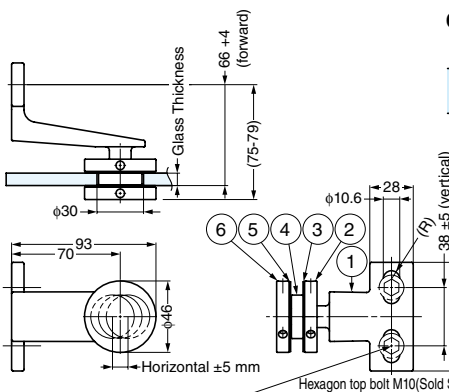
- Glass fence can be created by fixing the glass plates between posts.
- Adjustable after mounting the glass plates.
- Non-handed
- Recommended Glass Weight: 70 kg (Using 4 pcs when installed vertically.)
- Specialized tool required for mounting.

Sold Separately

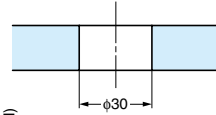
GPA Mounting Tool 19-0702-050-00

Recommended Screw

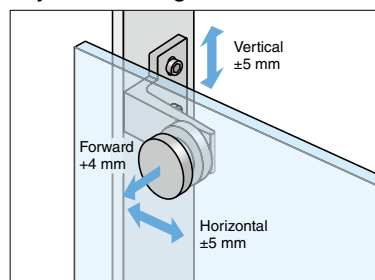
- Hexagon top bolt (Stainless Steel) M10
- Flat Washer φ10



Cut Out Dimensions



Adjustment Range



No.	Part Name	Material	Finish / Colour
①	Side-mounting arm	Stainless Steel (SCS13)	Mirror
②	Nut	Stainless Steel (SUS304)	Mirror
③	Gasket A	Chloroprene rubber (CR)	Black
④	Horizontal adjustment bush	Polyacetal (POM)	Natural
⑤	Gasket B	Chloroprene rubber (CR)	Black
⑥	Cap	Stainless Steel (SUS304)	Mirror



GPA Mounting Tool (Sold Separately)

CAD	Item Code	Item Name	Glass Thickness	Box (pcs)	Carton (pcs)
	120-036-908	GPA-S1-SM	8-13.5	4	20

CAD	Item Code	Item Name
-	270-021-337	19-0702-050-00

MONITOR BRACKET (WITH TORQUE & AUXILIARY LOCK)

INSTRUCTION

KA-T100S50



Features

- Can be easily installed and removed.
- Free stops in a range of 180° (swivel) and 40° (tilt).
- Auxiliary lock prevents monitor from sagging due to minute vibration. Also suitable for touch screen.
- Auxiliary lock temporarily releases if a heavy load is applied when locked.
- Bracket holes based on VESA standard (75 × 75 mm, 100 × 100 mm).
- Applicable monitor size: 12 - 22.9 inch (Up to about 10.0 kg)

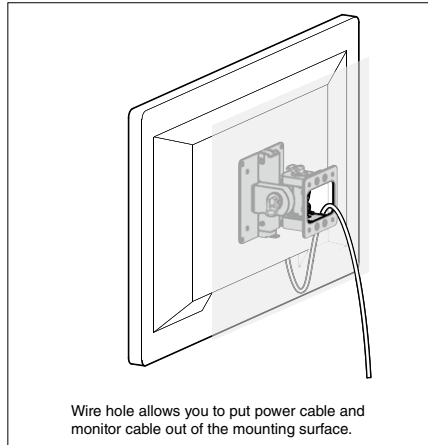
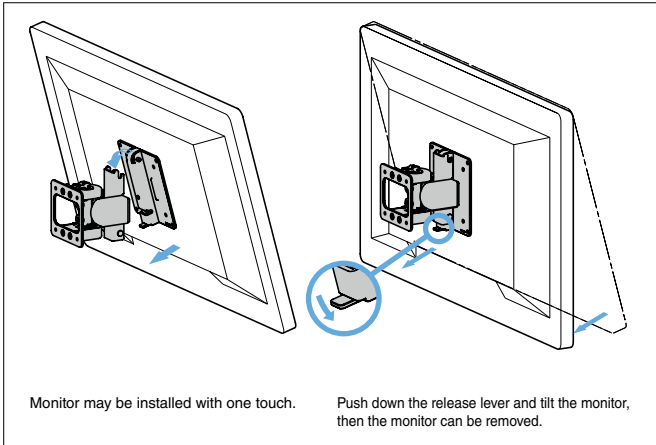
Applications

Liquid crystal monitors for machine tools, OA equipment and medical equipment, etc.

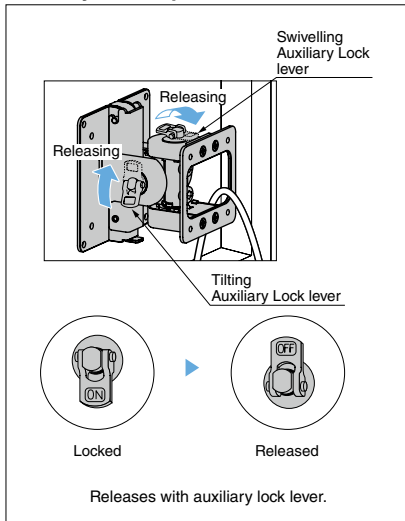
Remarks

- Do not forcibly move the monitor after applying the auxiliary lock.
- After installing the monitor, make sure that the release lever is locked.
- Do not operate continuously (repeatedly in a short time).

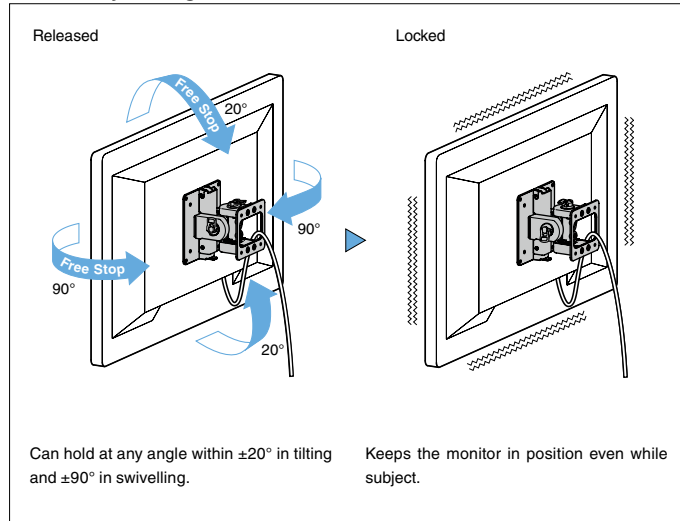
How to Install and Remove Monitor

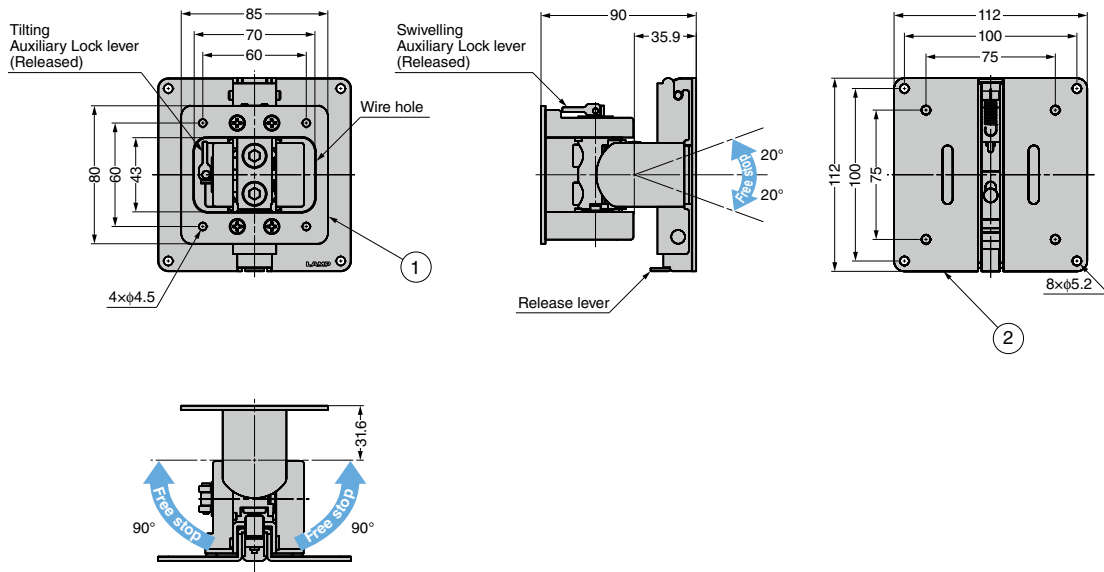


Auxiliary Lock Operation



How to Adjust Angle





No.	Part Name	Material	Finish / Colour
①	Body (Wall Side)	Steel (SPCC)/ ABS	Black
②	Base (Monitor Side)		

CAD	Item Code	Item Name	Mounting	Torque (Tilting) N-m/pc	Torque (Tilting) kgf-cm/pc	Torque (Swivelling) N-m/pc	Torque (Swivelling) kgf-cm/pc	Weight (kg)	Box (pcs)	Carton (pcs)
2D/3D	210-033-587	KA-T100S50	Wall Mount	10.0 ^{+20%}	102.0 ^{+20%}	5.0 ^{+20%}	51.0 ^{+20%}	1	1	12

ADJUSTABLE MOUNT

BRACKETS & SHELVING SYSTEM

ADJUSTABLE MOUNT



Features

- Holds at any height on aluminium frames.
- The cover prevents unintentional lock release.
- Designed for use with the FSL-L, an aluminium frame. Can also be used with other companies' aluminium frames that are over 40 mm in width. Please see the drawing below for details.
- The locking mechanism prevents only downward motion.
- Can be installed to an aluminium frame that is already assembled.
- A monitor can be mounted on the FSL-V36 when used with the FSL-MB, an optional monitor-mounting bracket.

Application

Control panels, monitors

Remarks

- It is recommended to use one per frame.
- Please use only with vertical sliding applications.

Parts Included

- Hex bar spanner (nominal 2.5)

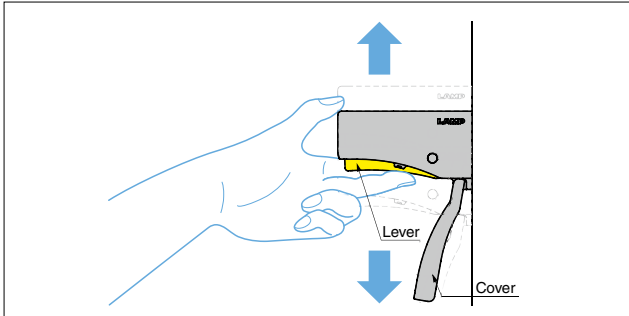
Optional Parts

- FSL-MB, Monitor Mounting Bracket
- FSL-L, Aluminium Frame

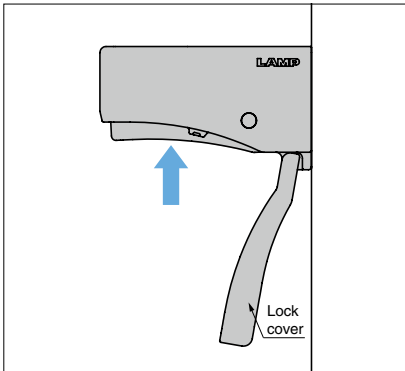
Recommended Screw

M5 screws

Holds at any height

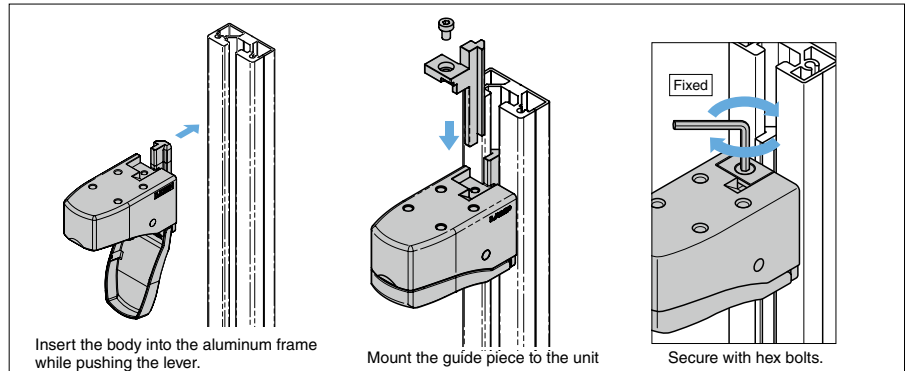


Operation

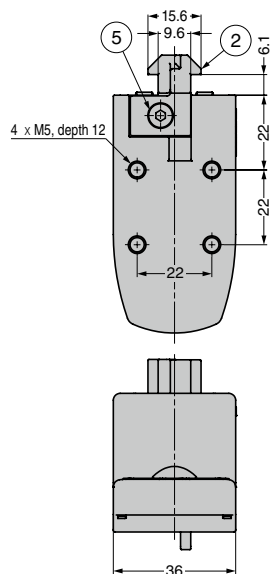


Open the cover and push the lever to move the unit up or down. The unit stops where the lever is released.

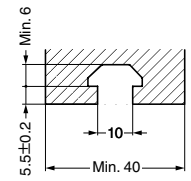
Installation



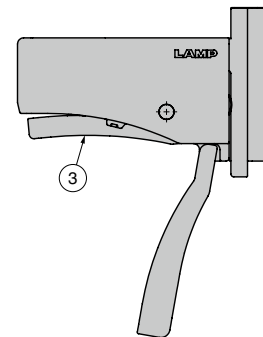
Can be installed to an aluminium frame that is already assembled. (see the instruction manual for details)



Mountable Aluminium Frame



When cover is opened



No.	Part Name	Material	Finish/Colour
①	Main Body	Zinc Alloy (ZDC)	Satin Chrome Plating
②	Guide Piece		
③	Lever	ABS Resin	White
④	Lock Cover		
⑤	Size M4 x 10 Low Head Hex Socket Bolts	Stainless Steel	Plain

CAD	Item Code	Item Name	Vertical Load Capacity N	Vertical Load Capacity kgf	Allowable Moment N-m	Allowable Moment kgf-cm	Weight (g)	Box	Carton
2D/3D	190-042-160	FSL-V36	117	12	20	204	310	1 pc	18 pcs

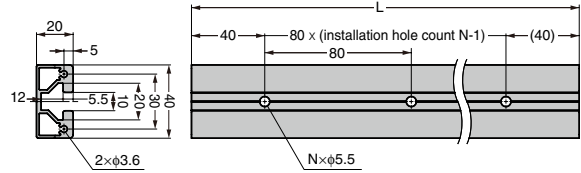
ALUMINIUM FRAME

FSL-L



Optional Parts

- FSL-EC End Cap
- FSL-S4 Stopper



CAD	Item Code	Item Name	L	Installation Hole Count N	Material	Finish	Weight (g)	Box
	190-042-162	FSL-L400	400	5	Aluminium Alloy	Silver Anodising	333	30 pcs
	190-042-163	FSL-L800	800	10			665	15 pcs
	190-042-164	FSL-L1200	1200	15			998	9 pcs
	190-042-165	FSL-L2000	2000	25			1663	6 pcs

END CAP

FSL-EC

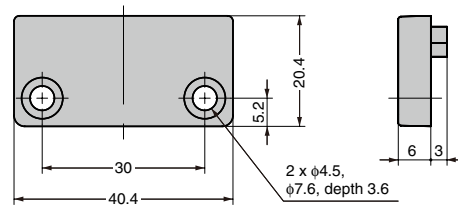


Features

End cap for the FSL-L Aluminium Frame.

Parts Included

Size 4 x 8 cross-recessed pan head tapping screws



CAD	Item Code	Item Name	Material	Colour	Weight (g)	Box
	190-042-166	FSL-EC	ABS Resin	Grey	3.1	200 pcs

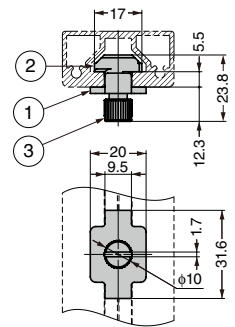
STOPPER

FSL-S4



Features

- A stopper for the FSL-L Aluminium Frame.
- Can also be used with other companies' aluminium frames that are over 40 mm in width. Please see the drawing of the FSL-V36 for details.



No.	Part Name	Material	Finish/Colour
①	Limit Stopper Unit	SPCC	Gloss Chromate Finish (Trivalent)
②	AS Nut	Stainless Steel (SUS316)	Barrel Polished
③	Knurled Knob	Free-Cut Brass	Chrome Plating

CAD	Item Code	Item Name	Weight (g)	Box
	190-042-167	FSL-S4	22	200 pcs

MONITOR MOUNTING BRACKET

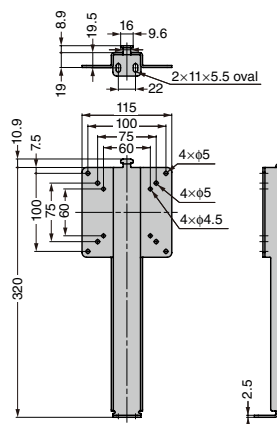
FSL-MB



Application



Used with FSL-V36 and KA-T100S50



Features

- Enables mounting of monitors with hole pitch compliant with the VESA standard (75 x 75 mm, 100 x 100 mm).
- The KA-T100S50, a monitor mount can also be mounted to the FSL-V36, an adjustable mount.

Sold Separately

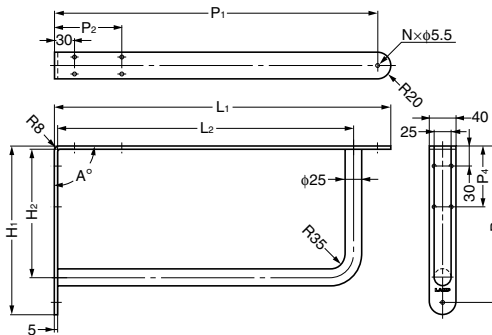
- KA-T100S50, Monitor Mount



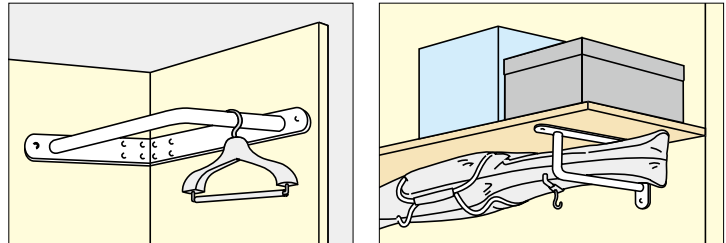
*Angle adjustment: 180° swiveling, and 40° tilting

CAD	Item Code	Item Name	Material	Finish/Colour	Weight (g)	Box
	190-042-161	FSL-MB	Steel (SPCC)	Baked Enamel Finish/Black	566	20 pcs

BRACKET



Application Examples



BY

Features

- Has two different types depending on use. 91° type with mirror finish is used to support shelves. 90° type with satin finish is used for corner reinforcement.

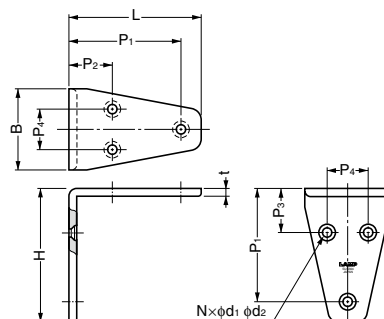
Parts Included

Truss head tapping screw (SUS)

Item Code	Item Name	Material	Finish	Load Capacity		Weight	Box	Carton
120-039-292	BY-300	Stainless Steel (SUS304)	Mirror	490 N/pc	50 kgf/pc	1100 g	2 pcs	6 pcs
120-030-408	BY-350	Stainless Steel (SUS304)	Satin	490 N/pc	50 kgf/pc	1160 g	2 pcs	6 pcs
120-039-293	BY-400	Stainless Steel (SUS304)	Mirror	490 N/pc	50 kgf/pc	1440 g	2 pcs	6 pcs
120-030-409	BY-450	Stainless Steel (SUS304)	Satin	490 N/pc	50 kgf/pc	1520 g	2 pcs	6 pcs
120-039-294	BY-500	Stainless Steel (SUS304)	Mirror	490 N/pc	50 kgf/pc	1820 g	2 pcs	6 pcs

Item Name	H ₁	H ₂	L ₁	L ₂	P ₁	P ₂	P ₃	P ₄	A	Holes N	Screw
BY-300	150	90	300	240	280	100	130	-	91	8	5x25, 5x16
BY-350	175	120	350	295	330	110	155	70	90	10	5x25, 5x16
BY-400	200	140	400	340	380	120	180	90	91	10	5x25, 5x16
BY-450	225	170	450	395	430	140	205	90	90	10	5x25, 5x16
BY-500	250	190	500	440	480	160	230	90	91	10	5x25, 5x16

ANGLE BRACKET



SV

Features

- Made out of rust resistant stainless steel and is recommended for use in bathrooms, kitchens, medical facilities, boats and offshore facilities.
- This bracket can be used for reinforcement in many different applications including to support panels for partitions.

Parts Included

Countersunk head screw (SUS)

Item Code	Item Name	Material	Finish	L	H	P ₁	P ₂	P ₃	P ₄	B	t	d ₁	d ₂	Holes N	Load Capacity	Screw	Weight	Box	Carton	
120-030-060	SV-40S	Stainless Steel (SUS304)	Satin	40	40	34	17	17	-	25	3	3.3	6.5	4	78.4 N/pc	8 kgf/pc	3.1x20	33 g	40 pcs	640 pcs
120-030-056	SV-40M	Stainless Steel (SUS304)	Mirror	40	40	34	17	17	-	25	3	3.3	6.5	4	78.4 N/pc	8 kgf/pc	3.1x20	33 g	40 pcs	640 pcs
120-030-061	SV-55S	Stainless Steel (SUS304)	Satin	55	55	47	18	18	17	36.5	3	3.8	7.5	6	78.4 N/pc	8 kgf/pc	3.1x20	65 g	20 pcs	320 pcs
120-030-057	SV-55M	Stainless Steel (SUS304)	Mirror	55	55	47	18	18	17	36.5	3	3.8	7.5	6	78.4 N/pc	8 kgf/pc	3.1x20	65 g	20 pcs	320 pcs
120-030-062	SV-80S	Stainless Steel (SUS304)	Satin	80	80	71	24	24	27	52	4	4.3	8.5	6	137.2 N/pc	14 kgf/pc	3.8x20	178 g	10 pcs	120 pcs
120-030-058	SV-80M	Stainless Steel (SUS304)	Mirror	80	80	71	24	24	27	52	4	4.3	8.5	6	137.2 N/pc	14 kgf/pc	3.8x20	178 g	10 pcs	120 pcs

ANGLE BRACKET



BA

BRACKETS & SHELVING SYSTEM

ANGLE BRACKET / FORK BRACKET

Discontinued



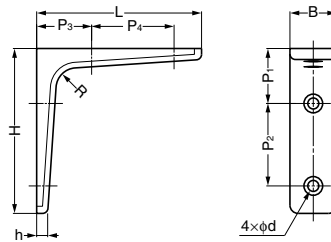
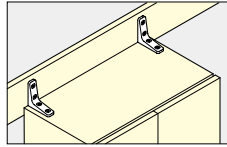
Features

Solid brass bracket.

Parts Included

Countersunk head screw

Application Example



Item Code	Item Name	Material	Finish	L	H	B	P ₁	P ₂	P ₃	P ₄	h	R	d	Load Capacity	Screw	Weight	Box	Carton	
120-030-102	BA-35	Brass	Mirror, Clear	35	35	14	14	15	14	15	3	4.5	3.3	49 N/pc	5 kgf/pc	3.1×16	28 g	40 pcs	200 pcs
120-030-103	BA-45	Brass	Mirror, Clear	45	45	15	17	20	17	20	3	5.5	3.3	78.4 N/pc	8 kgf/pc	3.1×16	45 g	30 pcs	150 pcs
120-030-399	BA-60	Brass	Mirror, Clear	60	60	17	20	30	20	30	4	7.5	4	98 N/pc	10 kgf/pc	3.8×20	80 g	20 pcs	100 pcs
120-030-400	BA-80	Brass	Mirror, Clear	80	80	19	28	40	28	40	4	10	4	107.8 N/pc	11 kgf/pc	3.8×20	150 g	10 pcs	50 pcs

FORK BRACKET



BU200



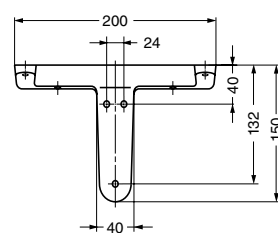
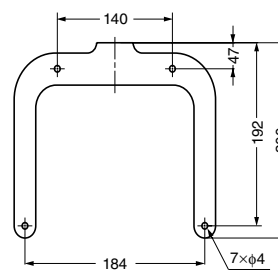
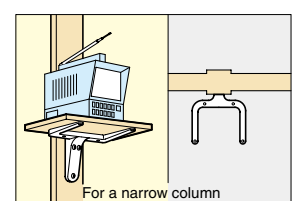
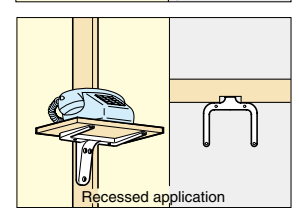
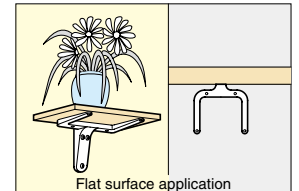
Features

For narrow spaces.

Parts Included

Countersunk head wood screw

Application Examples



Item Code	Item Name	Colour	Material	Load Capacity	Screw	Weight	Box
120-030-100	BU200-IV	Ivory	Aluminium Alloy	294 N / 30 kgf	3.8×25	320 g	10 pcs
120-030-101	BU200-BL	Black	Aluminium Alloy	294 N / 30 kgf	3.8×25	320 g	10 pcs

ANGLE BRACKET



XL-SA01

BRACKETS & SHELVING SYSTEM

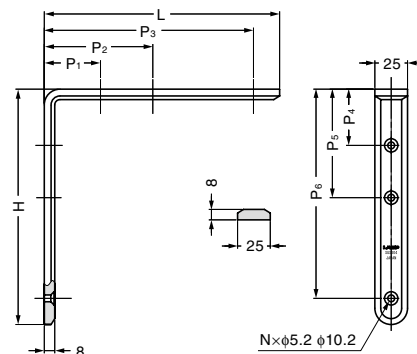


Features

- Edges are chamfered and rounded for a safe and visually appealing design.
- Made out of rust resistant stainless steel and is recommended for use in bathrooms, kitchens, medical facilities, boats and offshore facilities.

Parts Included

Raised countersunk head tapping screw 5x30 (SUS)



Item Code	Item Name	Material	Finish	L	H	P ₁	P ₂	P ₃	P ₄	P ₅	P ₆	Holes N	Load Capacity	Weight	Box	Carton	
120-030-303	XL-SA01-120S	Stainless Steel (SUS304)	Satin	120	120	38	-	100	38	-	100	4	226 N/pc	23 kgf/pc	330 g	8 pcs	40 pcs
120-030-307	XL-SA01-120M	Stainless Steel (SUS304)	Mirror	120	120	38	-	100	38	-	100	4	226 N/pc	23 kgf/pc	330 g	8 pcs	40 pcs
120-030-304	XL-SA01-150S	Stainless Steel (SUS304)	Satin	150	150	43	-	130	43	-	130	4	177 N/pc	18 kgf/pc	420 g	6 pcs	30 pcs
120-030-308	XL-SA01-150M	Stainless Steel (SUS304)	Mirror	150	150	43	-	130	43	-	130	4	177 N/pc	18 kgf/pc	420 g	6 pcs	30 pcs
120-030-305	XL-SA01-180S	Stainless Steel (SUS304)	Satin	180	180	43	83	160	43	83	160	6	137 N/pc	14 kgf/pc	510 g	6 pcs	30 pcs
120-030-309	XL-SA01-180M	Stainless Steel (SUS304)	Mirror	180	180	43	83	160	43	83	160	6	137 N/pc	14 kgf/pc	510 g	6 pcs	30 pcs
120-030-306	XL-SA01-240S	Stainless Steel (SUS304)	Satin	240	240	43	83	220	43	83	220	6	118 N/pc	12 kgf/pc	690 g	4 pcs	20 pcs
120-030-310	XL-SA01-240M	Stainless Steel (SUS304)	Mirror	240	240	43	83	220	43	83	220	6	118 N/pc	12 kgf/pc	690 g	4 pcs	20 pcs

ANGLE BRACKET

ANGLE BRACKET



SU



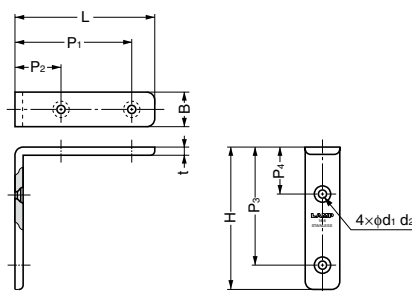
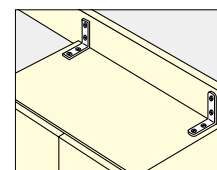
Features

- Made out of rust resistant stainless steel and is recommended for use in bathrooms, kitchens, medical facilities, boats and offshore facilities.
- Edges are rounded for a safe design.

Parts Included

Raised countersunk head screw (SUS)

Installation



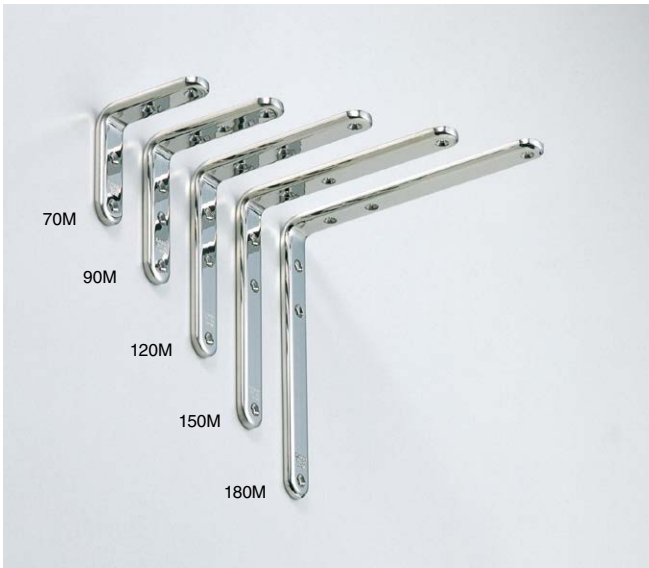
Item Code	Item Name	Material	Finish	L	B	H	P ₁	P ₂	P ₃	P ₄	t	d ₁	d ₂	Load Capacity	Screw	Weight	Box	Carton	
120-030-070	SU-30S	Stainless Steel (SUS304)	Satin	30	12	30	24	11	24	11	2.5	3.5	6.5	59 N/pc	6 kgf/pc	3.1x20	15 g	60 pcs	960 pcs
120-030-065	SU-30M	Stainless Steel (SUS304)	Mirror	30	12	30	24	11	24	11	2.5	3.5	6.5	59 N/pc	6 kgf/pc	3.1x20	15 g	60 pcs	960 pcs
120-030-071	SU-45S	Stainless Steel (SUS304)	Satin	45	13	45	37	17	37	17	3	3.5	6.5	49 N/pc	5 kgf/pc	3.1x20	23 g	50 pcs	800 pcs
120-030-066	SU-45M	Stainless Steel (SUS304)	Mirror	45	13	45	37	17	37	17	3	3.5	6.5	49 N/pc	5 kgf/pc	3.1x20	23 g	50 pcs	800 pcs
120-030-072	SU-60S	Stainless Steel (SUS304)	Satin	60	15	60	50	20	50	20	3	4	7.5	39 N/pc	4 kgf/pc	3.5x20	43 g	40 pcs	640 pcs
120-030-067	SU-60M	Stainless Steel (SUS304)	Mirror	60	15	60	50	20	50	20	3	4	7.5	39 N/pc	4 kgf/pc	3.5x20	43 g	40 pcs	640 pcs



ANGLE BRACKET



SU-A

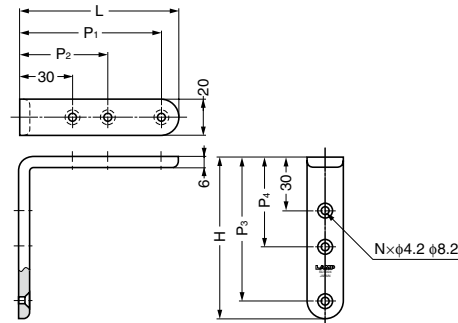


Features

- Made out of rust resistant stainless steel and is recommended for use in bathrooms, kitchens, medical facilities, boats and offshore facilities.
- Edges are rounded for a safe design.
- Satin finish is also possible to manufacture

Parts Included

Raised countersunk head tapping screw 4x25 (SUS)



Item Code	Item Name	Material	Finish	H	L	P ₁	P ₂	P ₃	P ₄	Holes N	Load Capacity	Weight	Box	Carton	
120-030-180	SU-A 70M	Stainless Steel (SUS304)	Mirror	70	70	-	60	-	60	4	235 N/pc	24 kgf/pc	117 g	10 pcs	100 pcs
120-030-181	SU-A 90M	Stainless Steel (SUS304)	Mirror	90	90	80	50	80	50	6	167 N/pc	17 kgf/pc	154 g	10 pcs	100 pcs
120-030-182	SU-A120M	Stainless Steel (SUS304)	Mirror	120	120	110	60	110	60	6	127 N/pc	13 kgf/pc	210 g	8 pcs	80 pcs
120-030-183	SU-A150M	Stainless Steel (SUS304)	Mirror	150	150	140	60	140	60	6	98 N/pc	10 kgf/pc	262 g	6 pcs	60 pcs
120-030-179	SU-A180M	Stainless Steel (SUS304)	Mirror	180	180	170	60	170	60	6	88 N/pc	9 kgf/pc	320 g	6 pcs	30 pcs

BRACKETS & SHELVING SYSTEM

ANGLE BRACKET

ANGLE BRACKET



SU-B

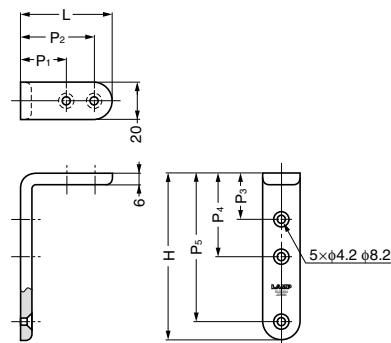


Features

- Made out of rust resistant stainless steel and is recommended for use in bathrooms, kitchens, medical facilities, boats and offshore facilities.
- Edges are rounded for a safe design.
- Satin finish is also possible to manufacture

Parts Included

Raised countersunk head tapping screw 4x25 (SUS)



Item Code	Item Name	Material	Finish	H	L	P ₁	P ₂	P ₃	P ₄	P ₅	Load Capacity	Weight	Box	Carton	
120-030-184	SU-B50M	Stainless Steel (SUS304)	Mirror	90	50	25	40	25	45	80	127 N/pc	13 kgf/pc	120 g	10 pcs	100 pcs
120-030-185	SU-B65M	Stainless Steel (SUS304)	Mirror	120	65	30	55	30	60	110	127 N/pc	13 kgf/pc	157 g	10 pcs	100 pcs
120-030-186	SU-B80M	Stainless Steel (SUS304)	Mirror	150	80	30	70	30	60	140	98 N/pc	10 kgf/pc	206 g	8 pcs	80 pcs

SPRING LOADED FOLDING BRACKET



GTS-300

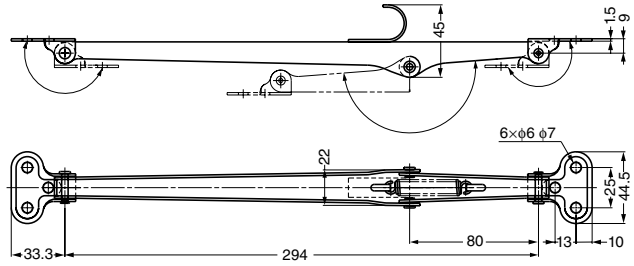
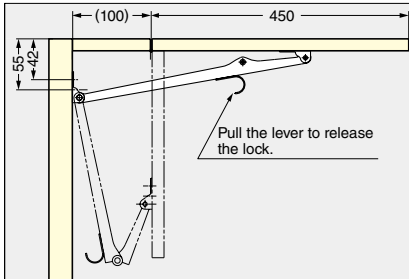


Features

- Spring loaded for lift assist.
- Pull the lever to fold down.

Remarks

- Shelf board depth : Max. 450 mm.
- Horizontal use only.



Item Code	Item Name	Material	Finish	Load Capacity	Load Capacity	Recommended Depth	Recommended Width	Weight	Box	Carton				
120-109-116	GTS-300	Stainless Steel (SUS304)	Mirror	29.4 N/pc	3 kgf/pc	58.8 N/2 pcs	6 kgf/2 pcs	Max. 450/pc	Max. 450/2 pcs	Max. 300/pc	Max. 600/2 pcs	190 g	12 pcs	96 pcs

FOLDING BRACKET

388



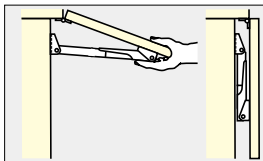
Features

- Folding bracket with lock lever.
- Locks in opened position.
- Shelf thickness : 15 mm - 35 mm.

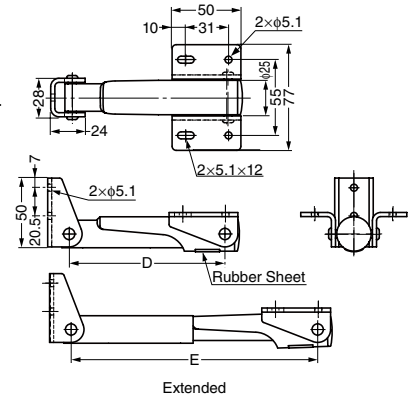
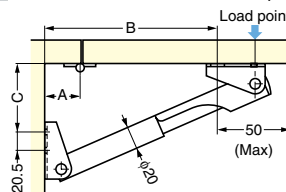
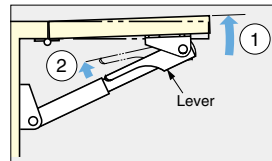
Required Quantity

- Width up to 600 mm : 1 pc
- Width 600 - 1300 mm : 2 pcs

Application Examples



How to Release the Lock



Item Code	Item Name	Material	Finish	A	B	C	D	E	Load Capacity	Weight	Box	Carton	
120-105-060	38820-25	Aluminium Alloy	Anodized	28 - 30	161	15	114	180	250 N/pc	25 kgf/pc	149 g	5 pcs	50 pcs
120-105-061	38830-25	Aluminium Alloy	Anodized	28 - 39	252	45	168	275.9	309 N/pc	31 kgf/pc	187 g	5 pcs	50 pcs
120-105-062	38845-25	Aluminium Alloy	Anodized	28 - 50	402	87	258.5	430.8	330 N/pc	33 kgf/pc	266 g	5 pcs	30 pcs
120-105-063	38860-25	Aluminium Alloy	Anodized	28 - 40	549	137	368.5	585.8	360 N/pc	36 kgf/pc	342 g	5 pcs	30 pcs

FOLDING BRACKET

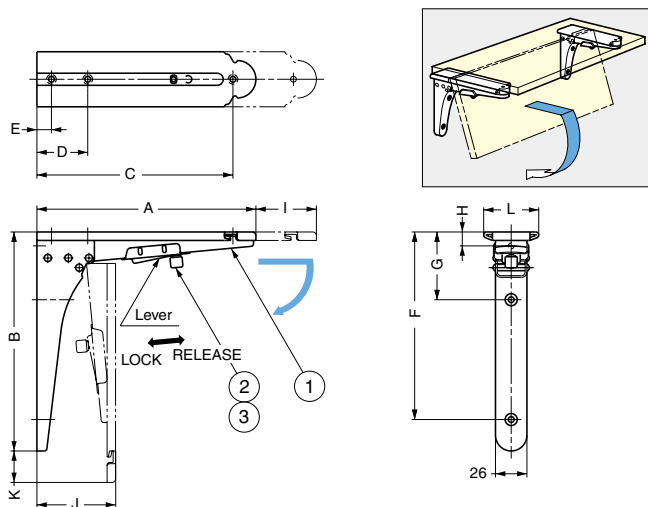


BOS-180, BOS-240



Features

- Folding bracket with manual lock lever. Just slide the locking lever to toggle the lock.
- Allows spaces to be rapidly transformed so that they can be used efficiently.
- Combined bracket with hinge functionality



Parts Included

- BOS-180
 - Countersunk head tapping screw 4x20 (SUS)
 - Pan head tapping screw 4.5x25 (SUS)
 - Raised countersunk head tapping screw 4.5x25 (SUS)
 - Raised countersunk head tapping screw 4.5x50 (SUS)
- BOS-240
 - Countersunk head tapping screw 4x20 (SUS)
 - Pan head tapping screw 5x30 (SUS)
 - Raised countersunk head tapping screw 5x30 (SUS)
 - Raised countersunk head tapping screw 5x70 (SUS)

No.	Part Name	Material	Finish/Colour
①	Body	Stainless Steel (SUS304)	Satin
②	Lever	Brass	Nickel
③	Cover	Ethylene Propylene Rubber (EPDM)	Black

Item Code	Item Name	A	B	C	D	E	F	G	H	I	J	K	L	Load Capacity	Weight	Box	Carton	
120-030-111	BOS-180	181	181	162	42	12	155	56	11.5	50	65	26	45.5	392 N/pc	40 kgf/pc	522 g	1 pc	20 pcs
120-030-090	BOS-240	240	250	215	80	25	220	70	15	64	81	29	49	325 N/pc	33 kgf/pc	860 g	1 pc	20 pcs

FOLDING BRACKET



BTO

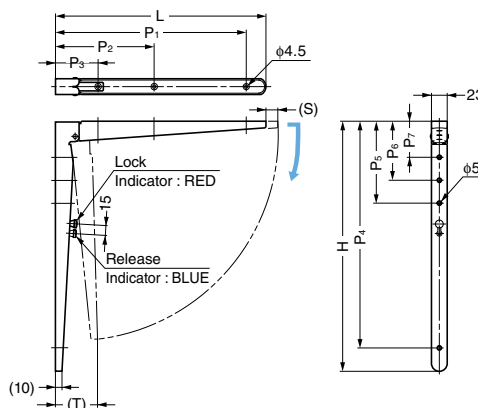


Features

- Folding bracket with design similar to BTK
- Comes with manual lock lever. Just slide the locking lever to toggle the lock.
- Allows spaces to be rapidly transformed so that they can be used efficiently.
- Combined bracket with hinge functionality

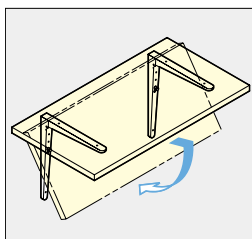
Remarks

*BTO-380S, BTO-380W
: Made to order with a minimum order of 2,000 pcs.



Parts Included

- Countersunk head wood screw



Item Name	Shelf Board		Wall	
	Size	Qty	Size	Qty
BTO-300	3.5x20	1 pc	4.5x25	1 pc
	3.8x38	1 pc	4.5x45	2 pcs
BTO-380	3.5x25	1 pc	4.5x32	1 pc
	3.8x38	1 pc	4.5x50	3 pcs
	3.8x45	1 pc	-	-

Screw material: Stainless steel (Plain) for BTO-300S, BTO-380S.
Steel (White) for BTO-300W, BTO-380W.

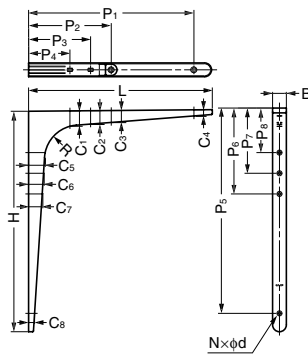
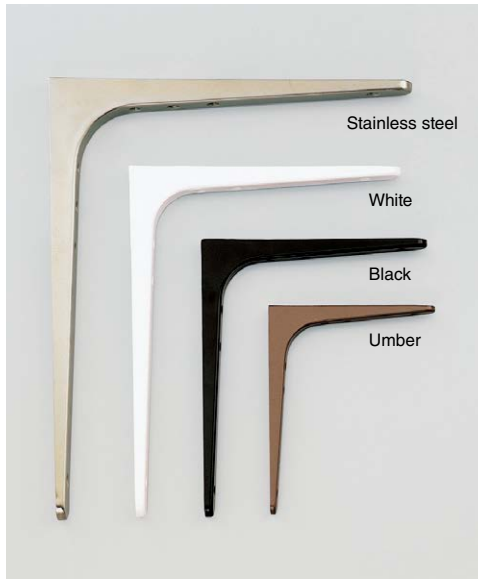
Item Code	Item Name	Material	Finish	H	L	P ₁	P ₂	P ₃	P ₄	P ₅	P ₆	P ₇	S	T	Load Capacity	Weight	Box	Carton	
120-014-937	BTO-300S	Stainless Steel (SUS304)	Satin	300	241	211	-	61	270	80	50	-	15	57	200 N/pc	20.4 kgf/pc	550 g	2 pcs	20 pcs
120-030-091	BTO-300W	Steel	White	300	241	211	-	61	270	80	50	-	15	57	200 N/pc	20.4 kgf/pc	550 g	2 pcs	20 pcs
-	*BTO-380S	Stainless Steel (SUS304)	Satin	380	320	290	150	65	345	125	90	55	18	64	-	-	-	-	-
-	*BTO-380W	Steel	White	380	320	290	150	65	345	125	90	55	18	64	-	-	-	-	-

BRACKET



BT, BTK

BRACKETS & SHELVING SYSTEM

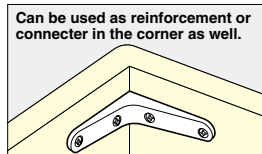
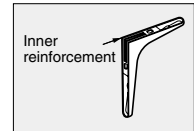
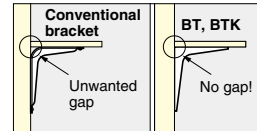


Features

- Fits corners exactly without leaving any open space. Back portion is reinforced with a plate.
- Useful for reinforcing corners and connecting.
- Available in stainless steel (satin finish) and steel (white, black or umber finishes).

Parts Included

Countersunk head wood screw



	Material	Finish	Screw
BT (Satin)	Stainless Steel (SUS304)	Satin	Stainless Steel
BTK (White)	Steel	White	White
BTK (Black)	Steel	Black	Black
BTK (Umber)	Steel	Umber	Umber

BRACKET

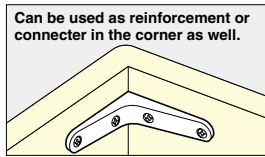
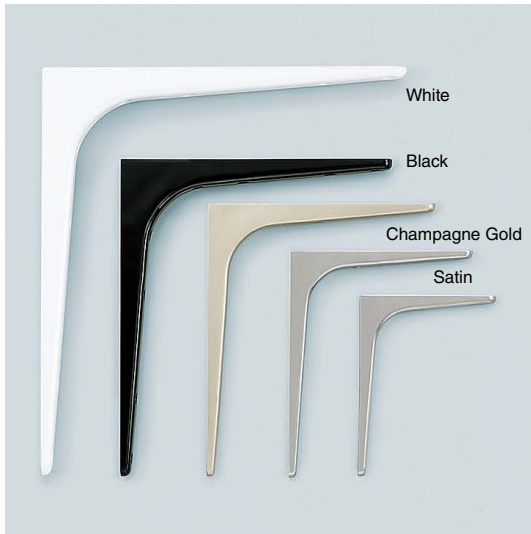
Item Code	Item Name	Finish/Colour	H	L	B	P ₁	P ₂	P ₃	P ₄	P ₅	P ₆	P ₇	P ₈	Load Capacity		Box	Carton
120-030-078	BT- 85	Satin	86	69	15	58	27	-	-	75	26	-	-	147 N/pc	15 kgf/pc	20 pcs	240 pcs
120-030-093	BTK- 85W	White	86	69	15	58	27	-	-	75	26	-	-	147 N/pc	15 kgf/pc	20 pcs	240 pcs
120-030-172	BTK- 85B	Black	86	69	15	58	27	-	-	75	26	-	-	147 N/pc	15 kgf/pc	20 pcs	240 pcs
120-030-189	BTK- 85UM	Umber	86	69	15	58	27	-	-	75	26	-	-	147 N/pc	15 kgf/pc	20 pcs	240 pcs
120-030-079	BT-120	Satin	120	100	15	85	43	-	-	106	42	-	-	196 N/pc	20 kgf/pc	20 pcs	100 pcs
120-030-094	BTK-120W	White	120	100	15	85	43	-	-	106	42	-	-	196 N/pc	20 kgf/pc	20 pcs	100 pcs
120-030-173	BTK-120B	Black	120	100	15	85	43	-	-	106	42	-	-	196 N/pc	20 kgf/pc	20 pcs	100 pcs
120-030-190	BTK-120UM	Umber	120	100	15	85	43	-	-	106	42	-	-	196 N/pc	20 kgf/pc	20 pcs	100 pcs
120-030-080	BT-180	Satin	180.5	148.5	15	131	71	50	-	162.5	72.5	51.5	-	245 N/pc	25 kgf/pc	20 pcs	-
120-030-095	BTK-180W	White	180.5	148.5	15	131	71	50	-	162.5	72.5	51.5	-	245 N/pc	25 kgf/pc	20 pcs	-
120-030-174	BTK-180B	Black	180.5	148.5	15	131	71	50	-	162.5	72.5	51.5	-	245 N/pc	25 kgf/pc	20 pcs	-
120-030-191	BTK-180UM	Umber	180.5	148.5	15	131	71	50	-	162.5	72.5	51.5	-	245 N/pc	25 kgf/pc	20 pcs	-
120-030-081	BT-240	Satin	240	199	18	176	91	59	-	217	92	60	-	274.4 N/pc	28 kgf/pc	10 pcs	-
120-030-096	BTK-240W	White	240	199	18	176	91	59	-	217	92	60	-	274.4 N/pc	28 kgf/pc	10 pcs	-
120-030-175	BTK-240B	Black	240	199	18	176	91	59	-	217	92	60	-	274.4 N/pc	28 kgf/pc	10 pcs	-
120-030-192	BTK-240UM	Umber	240	199	18	176	91	59	-	217	92	60	-	274.4 N/pc	28 kgf/pc	10 pcs	-
120-030-082	BT-300	Satin	301	238.5	20	206.5	92.5	60.5	-	269	95	63	-	343 N/pc	35 kgf/pc	10 pcs	-
120-030-097	BTK-300W	White	301	238.5	20	206.5	92.5	60.5	-	269	95	63	-	343 N/pc	35 kgf/pc	10 pcs	-
120-030-176	BTK-300B	Black	301	238.5	20	206.5	92.5	60.5	-	269	95	63	-	343 N/pc	35 kgf/pc	10 pcs	-
120-030-193	BTK-300UM	Umber	301	238.5	20	206.5	92.5	60.5	-	269	95	63	-	343 N/pc	35 kgf/pc	10 pcs	-
120-030-083	BT-380	Satin	378	318	23	285	145	110	75	345	145	110	75	637 N/pc	65 kgf/pc	10 pcs	40 pcs
120-030-085	BTK-380W	White	378	318	23	285	145	110	75	345	145	110	75	637 N/pc	65 kgf/pc	10 pcs	40 pcs
120-030-177	BTK-380B	Black	378	318	23	285	145	110	75	345	145	110	75	637 N/pc	65 kgf/pc	10 pcs	40 pcs
120-030-194	BTK-380UM	Umber	378	318	23	285	145	110	75	345	145	110	75	637 N/pc	65 kgf/pc	10 pcs	40 pcs
120-030-155	BT-480	Satin	480	400	30	360	180	135	90	440	180	135	90	808.5 N/pc	82.5 kgf/pc	6 pcs	-
120-030-156	BTK-480W	White	480	400	30	360	180	135	90	440	180	135	90	808.5 N/pc	82.5 kgf/pc	6 pcs	-
120-030-178	BTK-480B	Black	480	400	30	360	180	135	90	440	180	135	90	808.5 N/pc	82.5 kgf/pc	6 pcs	-
120-030-195	BTK-480UM	Umber	480	400	30	360	180	135	90	440	180	135	90	808.5 N/pc	82.5 kgf/pc	6 pcs	-

Item Name	d	Holes N	C ₁	C ₂	C ₃	C ₄	C ₅	C ₆	C ₇	C ₈	R	Screw (Countersunk Head Wood Screw)				Weight
BT - 85	4	4	-	-	(9)	(5)	-	-	(12)	(5)	(25)	3.5x16 (3 pcs), 3.5x25 (1 pc)				46 g
BTK- 85	4	4	-	-	(9)	(5)	-	-	(12)	(5)	(25)	3.5x16 (3 pcs), 3.5x25 (1 pc)				46 g
BT -120	4	4	-	-	(10)	(5)	-	-	(13)	(5)	(25)	3.5x16 (3 pcs), 3.5x25 (1 pc)				65 g
BTK-120	4	4	-	-	(10)	(5)	-	-	(13)	(5)	(25)	3.5x16 (3 pcs), 3.5x25 (1 pc)				65 g
BT -180	4	6	-	(14)	(12)	(5)	-	(15)	(13)	(5)	(30)	3.5x16 (2 pcs), 3.5x20 (1 pc), 3.5x25 (1 pc), 3.8x32 (2 pcs)				124 g
BTK-180	4	6	-	(14)	(12)	(5)	-	(15)	(13)	(5)	(30)	3.5x16 (2 pcs), 3.5x20 (1 pc), 3.5x25 (1 pc), 3.8x32 (2 pcs)				124 g
BT -240	4	6	-	(16)	(13)	(8)	-	(16)	(14)	(7.5)	(35)	3.5x16 (2 pcs), 3.5x20 (1 pc), 3.5x25 (1 pc), 3.8x32 (2 pcs)				237 g
BTK-240	4	6	-	(16)	(13)	(8)	-	(16)	(14)	(7.5)	(35)	3.5x16 (2 pcs), 3.5x20 (1 pc), 3.5x25 (1 pc), 3.8x32 (2 pcs)				237 g
BT -300	4	6	-	(19.5)	(17)	(8)	-	(19)	(17.5)	(9)	(35)	3.5x16 (1 pc), 3.5x25 (2 pcs), 3.5x32 (1 pc), 3.8x38 (2 pcs)				323 g
BTK-300	4	6	-	(19.5)	(17)	(8)	-	(19)	(17.5)	(9)	(35)	3.5x16 (1 pc), 3.5x25 (2 pcs), 3.5x32 (1 pc), 3.8x38 (2 pcs)				323 g
BT -380	5	8	(22.5)	(20)	(18)	(8.5)	(25)	(20)	(18)	(10)	(50)	3.5x20 (1 pc), 3.8x32 (3 pcs), 4.5x25 (1 pc), 4.5x38 (2 pcs), 4.5x45 (1 pc)				519 g
BTK-380	5	8	(22.5)	(20)	(18)	(8.5)	(25)	(20)	(18)	(10)	(50)	3.5x20 (1 pc), 3.8x32 (3 pcs), 4.5x25 (1 pc), 4.5x38 (2 pcs), 4.5x45 (1 pc)				519 g
BT -480	5.5	8	(35)	(30)	(27)	(14)	(37)	(33)	(30)	(13)	(70)	5x30 (2 pcs), 5x40 (2 pcs), 5x50 (3 pcs), 5x60 (1 pc)				1230 g
BTK-480	5.5	8	(35)	(30)	(27)	(14)	(37)	(33)	(30)	(13)	(70)	5x30 (2 pcs), 5x40 (2 pcs), 5x50 (3 pcs), 5x60 (1 pc)				1230 g

BRACKET



TT, TTK

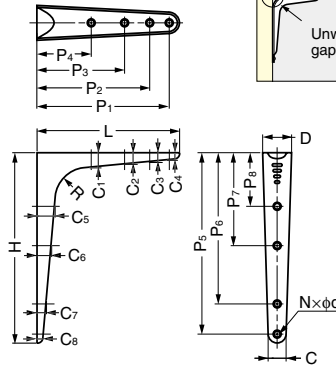
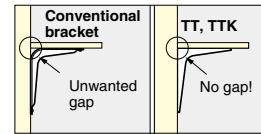


Features

- Strongly reinforced type that fits corners exactly without leaving any open space. Back portion is reinforced with a plate.
- Useful for reinforcing corners and connecting.
- Available in stainless steel (satin finish) and steel (white, black or champagne gold finishes).

Parts Included

- Raised countersunk head screw
- Screw cover



	Material	Finish
TT	Stainless Steel (SUS304)	Satin
TTK (White)	Steel	Powder coating/White
TTK (Black)	Steel	Powder coating/Black
TTK (Champagne Gold)	Steel	Champagne Gold

Item Code	Item Name	Finish/Colour	H	L	C	D	P ₁	P ₂	P ₃	P ₄	P ₅	P ₆	P ₇	P ₈	d	Holes N	Load Capacity	Weight	Box	
120-031-615	TT -200	Satin	200	150	18	23	130	-	-	65	180	-	100	65	4.6	5	245 N/pc	25 kgf/pc	174 g	20 pcs
120-031-600	TTK-200W	White	200	150	18	23	130	-	-	65	180	-	100	65	4.6	5	245 N/pc	25 kgf/pc	204 g	20 pcs
120-031-605	TTK-200B	Black	200	150	18	23	130	-	-	65	180	-	100	65	4.6	5	245 N/pc	25 kgf/pc	204 g	20 pcs
120-031-610	TTK-200CG	Champagne Gold	200	150	18	23	130	-	-	65	180	-	100	65	4.6	5	245 N/pc	25 kgf/pc	204 g	20 pcs
120-031-616	TT -250	Satin	250	200	20	25	180	-	100	75	230	-	120	75	4.6	6	274.4 N/pc	28 kgf/pc	291 g	12 pcs
120-031-601	TTK-250W	White	250	200	20	25	180	-	100	75	230	-	120	75	4.6	6	274.4 N/pc	28 kgf/pc	301 g	12 pcs
120-031-606	TTK-250B	Black	250	200	20	25	180	-	100	75	230	-	120	75	4.6	6	274.4 N/pc	28 kgf/pc	301 g	12 pcs
120-031-611	TTK-250CG	Champagne Gold	250	200	20	25	180	-	100	75	230	-	120	75	4.6	6	274.4 N/pc	28 kgf/pc	301 g	12 pcs
120-031-617	TT -300	Satin	300	250	23	28	230	-	120	80	280	230	130	80	4.6	7	343 N/pc	35 kgf/pc	316 g	12 pcs
120-031-602	TTK-300W	White	300	250	23	28	230	-	120	80	280	230	130	80	4.6	7	343 N/pc	35 kgf/pc	398 g	12 pcs
120-031-607	TTK-300B	Black	300	250	23	28	230	-	120	80	280	230	130	80	4.6	7	343 N/pc	35 kgf/pc	398 g	12 pcs
120-031-612	TTK-300CG	Champagne Gold	300	250	23	28	230	-	120	80	280	230	130	80	4.6	7	343 N/pc	35 kgf/pc	398 g	12 pcs
120-031-618	TT -350	Satin	350	300	25	30	280	230	135	85	330	265	150	85	5.5	8	637 N/pc	65 kgf/pc	571 g	10 pcs
120-031-603	TTK-350W	White	350	300	25	30	280	230	135	85	330	265	150	85	5.5	8	637 N/pc	65 kgf/pc	782 g	10 pcs
120-031-608	TTK-350B	Black	350	300	25	30	280	230	135	85	330	265	150	85	5.5	8	637 N/pc	65 kgf/pc	782 g	10 pcs
120-031-613	TTK-350CG	Champagne Gold	350	300	25	30	280	230	135	85	330	265	150	85	5.5	8	637 N/pc	65 kgf/pc	782 g	10 pcs
120-031-619	TT -450	Satin	450	400	30	35	380	310	160	90	430	350	170	90	5.5	8	808.5 N/pc	82.5 kgf/pc	832 g	6 pcs
120-031-604	TTK-450W	White	450	400	30	35	380	310	160	90	430	350	170	90	5.5	8	808.5 N/pc	82.5 kgf/pc	1059 g	6 pcs
120-031-609	TTK-450B	Black	450	400	30	35	380	310	160	90	430	350	170	90	5.5	8	808.5 N/pc	82.5 kgf/pc	1059 g	6 pcs
120-031-614	TTK-450CG	Champagne Gold	450	400	30	35	380	310	160	90	430	350	170	90	5.5	8	808.5 N/pc	82.5 kgf/pc	1059 g	6 pcs

Item Name	C ₁	C ₂	C ₃	C ₄	C ₅	C ₆	C ₇	C ₈	R	Screw
TT -200	(15.5)	-	-	(8)	(16.5)	(14)	-	(8)	(30)	4x30 (2 pcs), 4x40 (3 pcs)
TT -250	(16.5)	(13.5)	-	(8)	(17)	(14.5)	-	(8)	(35)	4x30 (4 pcs), 4x50 (2 pcs)
TT -300	(23.5)	(19.5)	-	(10)	(22.5)	(19.5)	(12)	(8.5)	(35)	4x30 (3 pcs), 4x40 (2 pcs), 4x50 (2 pcs)
TT -350	(30)	(24.5)	(16)	(11)	(32)	(25.5)	(16.5)	(10.5)	(50)	5x30 (4 pcs), 5x45 (2 pcs), 5x60 (2 pcs)
TT -450	(37)	(30)	(17.5)	(11.5)	(37.5)	(30)	(17)	(11)	(70)	5x30 (4 pcs), 5x45 (2 pcs), 5x60 (2 pcs)
TTK-200	(15.5)	-	-	(8)	(16.5)	(14)	-	(8)	(30)	4x30 (2 pcs), 4x40 (3 pcs)
TTK-250	(16.5)	(13.5)	-	(8)	(17)	(14.5)	-	(8)	(35)	4x30 (4 pcs), 4x50 (2 pcs)
TTK-300	(23.5)	(19.5)	-	(10)	(22.5)	(19.5)	(12)	(8.5)	(35)	4x30 (3 pcs), 4x40 (2 pcs), 4x50 (2 pcs)
TTK-350	(30)	(24.5)	(16)	(11)	(32)	(25.5)	(16.5)	(10.5)	(50)	5x30 (4 pcs), 5x45 (2 pcs), 5x60 (2 pcs)
TTK-450	(37)	(30)	(17.5)	(11.5)	(37.5)	(30)	(17)	(11)	(70)	5x30 (4 pcs), 5x45 (2 pcs), 5x60 (2 pcs)



SHELF ORGANIZERS DIGEST

STAINLESS STEEL

STAINLESS 304 STEEL

SP, SPS

- Pitch 15 mm
- w/Numbering

Item Name	Shelf Standard SP, SPS	Hook SP-35	Shelf Support SPB-15R	Shelf Support SPB-20	Shelf Support SPF-20
Load Capacity N (kgf)	-	49 (5)	980 (100)	441 (45)	785 (80)
Material	Stainless Steel (SUS304)	Zinc Alloy (ZDC)	Stainless Steel (SUS304)/Elastomer	Stainless Steel (SUS304)	Stainless Steel (SUS304)
Finish/Colour	Satin, White	Nickel	Satin/Black	Satin, White	Satin, White
Page	P.166	P.166	P.166	P.167	P.167
Item Name	Leveling Shelf Support SPF-20LC	Shelf Holder SPF-20A	Bracket SPB-200	End Cap SP-18E	End Cap SPW-EC20
Load Capacity N (kgf)	785 (80)	-	98 (10)/2 pcs, 147 (15)/3 pcs	-	-
Material	Stainless Steel (SUS304)/Silicon (Si)	Polyethylene (PE)	Stainless Steel (SUS304)/Polypropylene (PP)	ABS	Polypropylene (PP)
Finish/Colour	Satin/Natural	White	Satin/White	Black, White	White, Brown
Page	P.168	P.168	P.168	P.171	P.179

STAINLESS STEEL

STAINLESS 304 STEEL

SM

- Pitch 15 mm
- w/Numbering

Item Name	Shelf Standard SM	Shelf Support SMB-15R	Shelf Support SPM-20B	End Cap SP-18E	End Cap SPW-EC20
Load Capacity N (kgf)	-	883 (90)	588 (60)	-	-
Material	Stainless Steel (SUS304)	Stainless Steel (SUS304)	Stainless Steel (SUS304)	ABS	Polypropylene (PP)
Finish/Colour	Satin	Satin	Satin	Black, White	White, Brown
Page	P.169	P.169	P.169	P.171	P.179

STAINLESS STEEL (HEAVY DUTY TYPE)

STAINLESS 304 STEEL

SPH

- Pitch 22 mm
- w/Numbering
- Heavy Duty

Item Name	Shelf Standard SPH	Shelf Support SPH-20	Shelf Support SPH-5	Shelf Support SPH-15	End Cap SP-18E	End Cap SPW-EC20
Load Capacity N (kgf)	-	1280 (130)	1280 (130)	1280 (130)	-	-
Material	Stainless Steel (SUS304)	Stainless Steel (SUS304)/Rubber (NBR)	Stainless Steel (SUS304)/Rubber (NBR)	Stainless Steel (SUS304)	ABS	Polypropylene (PP)
Finish/Colour	Satin	Satin/Black	Satin/Black	Satin	Black, White	White, Brown
Page	P.170	P.170	P.171	P.171	P.171	P.179

STAINLESS STEEL (HEAVY DUTY TYPE)

STAINLESS 304 STEEL

SPHL

- Pitch 20 mm
- w/Numbering
- Heavy Duty

Item Name	Shelf Standard SPHL-1820	Shelf Support SPHL-30	Shelf Support SPHL-25	End Cap SPHL-23E
Load Capacity N (kgf)	-	1470 (150)	1470 (150)	-
Material	Stainless Steel (SUS304)	Stainless Steel (SUS304)/Elastomer	Stainless Steel (SUS304)	Polypropylene (PP)
Finish/Colour	Satin	Satin/Black	Satin	White, Black
Page	P.172	P.172	P.172	P.172

STAINLESS STEEL

STAINLESS 430 STEEL

STAINLESS 304 STEEL

SPN

- Pitch 22 mm
- w/Numbering

Item Name	Shelf Standard SPN-1820	Shelf Support SPN-15	End Cap SPN-17EC
Load Capacity N (kgf)	-	785 (80)	-
Material	Stainless Steel (SUS430)	Stainless Steel (SUS304)	Polypropylene (PP)
Finish/Colour	Satin	Polished	White
Page	P.173	P.173	P.173

SHELF ORGANIZERS DIGEST

STAINLESS STEEL STAINLESS 430 STEEL STAINLESS 304 STEEL SPW

- Pitch 20 mm
- w/Numbering
- w/Cover

Item Name	Shelf Standard SPW-1820	Shelf Support SPW-20	End Cap SPW-EC20	End Cap SP-18E
Load Capacity N (kgf)	-	785 (80)	-	-
Material	Stainless Steel (SUS430)	Stainless Steel (SUS304)/Elastomer	Polypropylene (PP)	ABS
Finish/Colour	Satin	Mirror/White, Brown	White, Brown	Black, White
Page	P.179	P.179	P.179	P.171

STAINLESS STEEL STAINLESS 430 STEEL SPE

- Pitch 20 mm
- w/Numbering
- Thin

Item Name	Shelf Standard SPE	Shelf Support SPE-FB20S	End Cap AP-EC20	Shelf Holder AP-FA20	Shelf Holder with Angle Adjusting Function
Load Capacity N (kgf)	-	785 (80)	-	-	98 (10)
Material	Stainless Steel (SUS430)	Stainless Steel (SUS430)/Elastomer	ABS	Polyethylene (PE)	Polyacetal (POM)/Polyethylene (PE)
Finish/Colour	Plain, White, Black	Polished, White, Black	Light Grey, Black	White, Black	White
Page	P.174	P.174	P.176	P.177	P.178

ALUMINIUM AP

- Pitch 20 mm

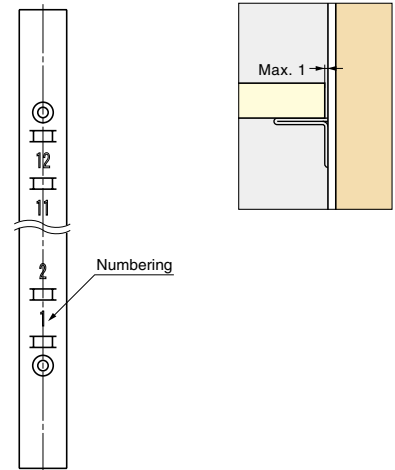
Item Name	Shelf Standard AP-DM, AP-DH	Shelf Support AP-FB20	Cap AP-FC20	End Cap AP-EC20	Shelf Holder AP-FA20	Shelf Holder with Angle Adjusting Function
Load Capacity N (kgf)	-	441 (45)	-	-	-	98 (10)
Material	Aluminium Alloy	Stainless Steel (SUS430)	Elastomer (TPE)	ABS	Polyethylene (PE)	Polyacetal (POM)/Polyethylene (PE)
Finish/Colour	Anodized Silver, White, Black	Mirror, Black	Light Grey, Black	Light Grey, Black	White, Black	White
Page	P.175	P.176	P.176	P.176	P.177	P.178

Features

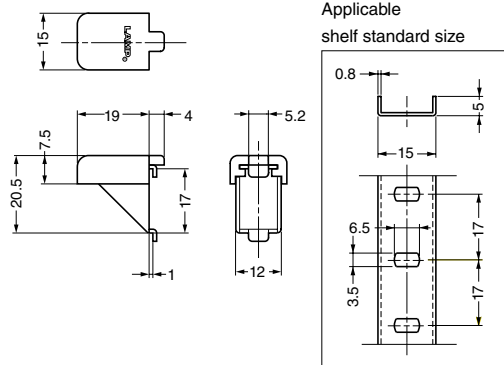
Numbering on shelf standards: Easy to adjust the height of shelf board to the same level.

Remarks

- Make sure the clearance between shelf board and shelf standard is less than 1 mm.
- Load capacity: for 4 pcs /shelf board.



SHELF SUPPORT



TEST METHOD 9

STAINLESS 304 STEEL

SPB-17R

Features

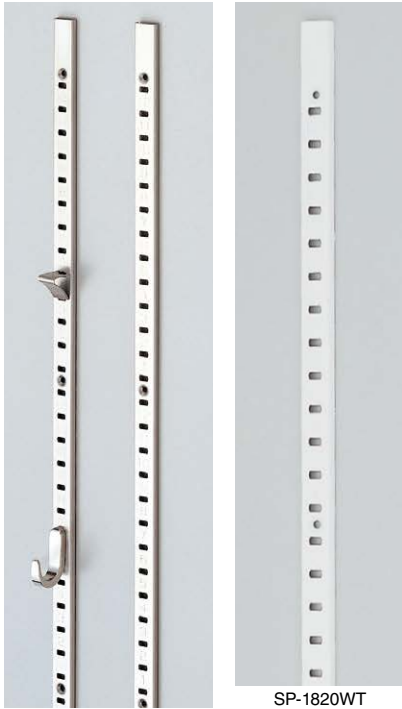
Elastomer cover prevents shelf from slipping. Ideal for glass shelf.

Item Code	Item Name	Material	Finish
120-030-666	SPB-17R	Stainless Steel (SUS304)	Satin
Load Capacity/4 pcs	Weight	Box	Carton
294 N	30 kgf	6.9 g	200 pcs / 2000 pcs

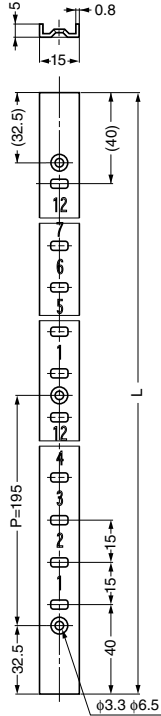
SHELF STANDARD



SP, SPS



SP-1820WT



Features

- Height markers are placed at every 15mm for use as guides.
- This makes height adjustment very easy.
- Profile is only 5mm thick.

Sold Separately

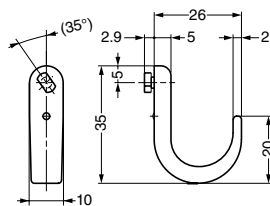
- Hook for shelf standard SP-35 (P.166)
- Shelf support SPB-15R (P.166)
- Shelf support SPB-20 (P.167)
- Shelf support SPF-20 (P.167)
- Leveling shelf support SPF-20LC (P.168)
- Shelf holder SPB-200 (P.168)
- End cap SP-18E (P.171)
- End cap SPW-EC20 (P.179)

Item Code	Item Name	Material	Finish	L	Holes	Weight(g)	Carton(pcs)
120-030-685	SP- 455	Stainless Steel (SUS304)	Satin	455	3	57	60
120-030-686	SP- 650	Stainless Steel (SUS304)	Satin	650	4	81	60
120-030-687	SP- 845	Stainless Steel (SUS304)	Satin	845	5	105	60
120-030-688	SP-1040	Stainless Steel (SUS304)	Satin	1040	6	129	60
120-030-827	SP-1820	Stainless Steel (SUS304)	Satin	1820	10	222	60
120-030-692	SP-1820WT	Stainless Steel (SUS430)	White	1820	10	222	60
120-030-668	SP-2600	Stainless Steel (SUS304)	Satin	2600	14	317	30
120-030-669	SPS-1820	Stainless Steel (SUS430)	Satin	1820	10	222	60
120-030-667	SPS-2600	Stainless Steel (SUS430)	Satin	2600	14	317	30
120-018-227	*SPS-2600T	Stainless Steel (SUS430)	Satin	2600	14	317	30

*Without protection tape

HOOK FOR SHELF STANDARD

SP-35



Features

- For SP and SPS (Above).
- Can be used with a vertical or horizontal standard.

Application

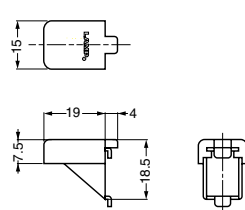
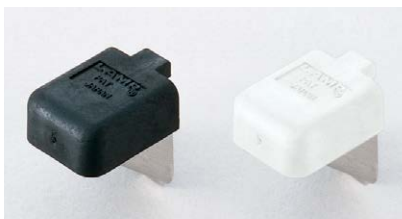


Item Code	Item Name	Material	Finish	Load Capacity	Weight(g)	Box(pcs)	Carton(pcs)
120-020-234	SP-35	Zinc Alloy (ZDC)	Nickel	49 N 5 kgf	15.5	150	600

SHELF SUPPORT



SPB-15R



Features

- Reliably quick installation on and disassembly from shelf standards.
- Cover is made from elastomer preventing slippage, making it ideal for use with glass.

Cover Installation



Item Code	Item Name	Material	Finish/Colour	Load Capacity/4 pcs	Weight(g)	Box(pcs)	Carton(pcs)
120-049-026	SPB-15R	Stainless Steel (SUS304) /Elastomer (TPE)	Satin/Black	980 N 100 kgf	6	300	3000
120-036-306	SPB-15R-WT	Stainless Steel (SUS304) /Elastomer (TPE)	Satin/White	980 N 100 kgf	6	300	3000

SHELF SUPPORT

TEST METHOD 9

STAINLESS 304 STEEL

SPB-20



SPB-20

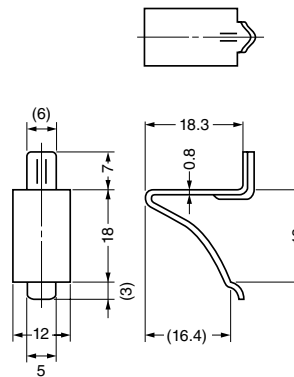
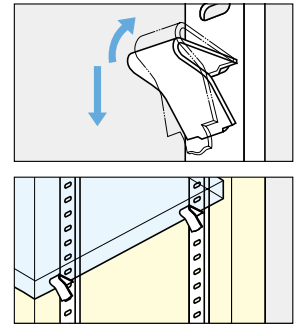


SPB-20WT

Features

- Reliably quick installation on and disassembly from shelf standards.
- Designed to hold items in place even if exposed to small vibrations.

Installation



Item Code	Item Name	Type	Material	Finish	Load Capacity/4 pcs	Weight	Box	Carton	
120-030-015	SPB-20	With Protection Tape	Stainless Steel (SUS304)	Satin	441 N	45 kgf	3.6 g	300 pcs	3000 pcs
120-031-474	SPB-20T	Without Protection Tape	Stainless Steel (SUS304)	Satin	441 N	45 kgf	3.6 g	300 pcs	3000 pcs
120-030-693	SPB-20WT	Without Protection Tape	Stainless Steel (SUS304)	White	441 N	45 kgf	3.6 g	300 pcs	3000 pcs

SHELF SUPPORT

TEST METHOD 9

STAINLESS 304 STEEL

SPF-20



SPF-20



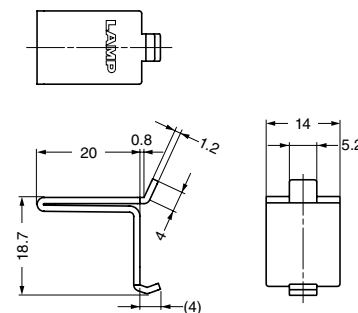
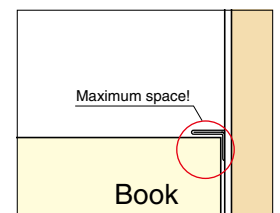
SPF-20WT

Features

- Reliably "clicks" into place during install
- Thin profile reduces dead space, making it a great solution for bookcases

Sold Separately

Shelf holder SPF-20A (P.168)

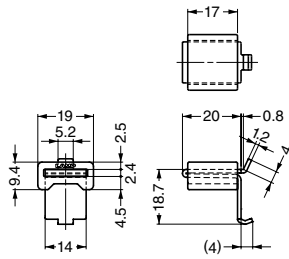


Item Code	Item Name	Type	Material	Finish/Colour	Load Capacity/4 pcs	Weight	Box	Carton	
120-030-116	SPF-20	With Protection Tape	Stainless Steel (SUS304)	Satin	785 N	80 kgf	7 g	300 pcs	3000 pcs
120-030-117	SPF-20T	Without Protection Tape	Stainless Steel (SUS304)	Satin	785 N	80 kgf	7 g	300 pcs	3000 pcs
120-030-684	SPF-20WT	Without Protection Tape	Stainless Steel (SUS304)	White	785 N	80 kgf	7 g	300 pcs	3000 pcs

LEVELING SHELF SUPPORT



SPF-20LC



Features

- For SP and SPS (P.166).
- Shelf level is adjustable by turning the silicone cap upside down.
- Silicone cap prevents shelf from slipping. Ideal for glass shelves.

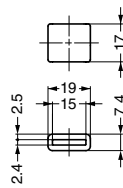
Level Adjustment



Item Code	Item Name	Material	Finish/Colour	Load Capacity/4 pcs	Weight	Box	Carton
120-030-335	SPF-20LC	Stainless Steel (SUS304) /Silicone (Si)	Satin/Natural	785 N	80 kgf	9.5 g	200 pcs

SHELF HOLDER

SPF-20A

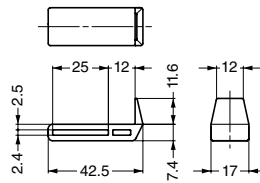
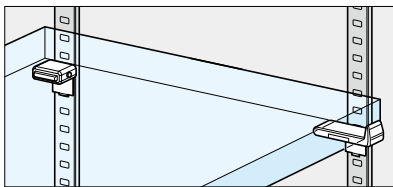


Features

- To be used together with SPF-20
- Keeps shelf in place, protecting against adjustment during cleaning or other maintenance activities.

Remarks

One each of front and back holder as set.



Item Code	Item Name	Material	Colour	Weight	Box	Carton
120-040-548	SPF-20A	Polyethylene (PE)	White	4 g	100 pcs	2500 pcs

SHELF HOLDER



SPB-200

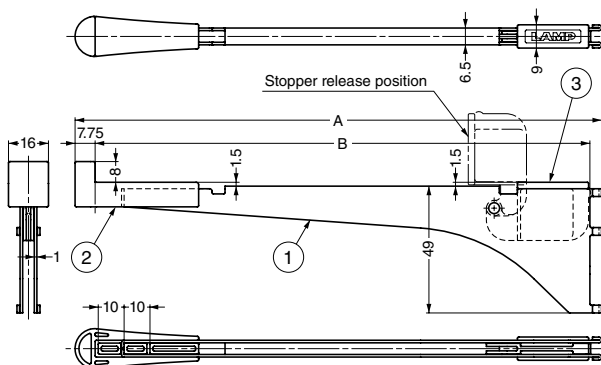


Features

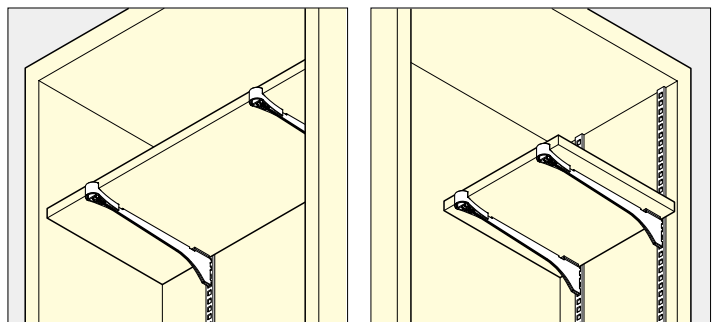
- For SP and SPS shelf standard
- Adjustable to three different lengths
- Raised ends protect against slippage or shelf falling
- Can be used with glass

Remarks

Maximum size of shelf board is Width 900 mm x Depth 200 mm.



Installation



No.	Part Name	Material	Finish/Colour
①	Body	Stainless Steel (SUS304)	Satin
②	Holder	Polypropylene (PP)	White
③	Stopper	Polypropylene (PP)	White

Item Code	Item Name	A	B (Board Depth)	Load Capacity/2 pcs	Load Capacity/3 pcs	Weight	Box
120-022-204	SPB-200	194, 204, 214	180, 190, 200	98 N/2 pcs	147 N/3 pcs	65 g	50 pcs

SHELF STANDARD



SM

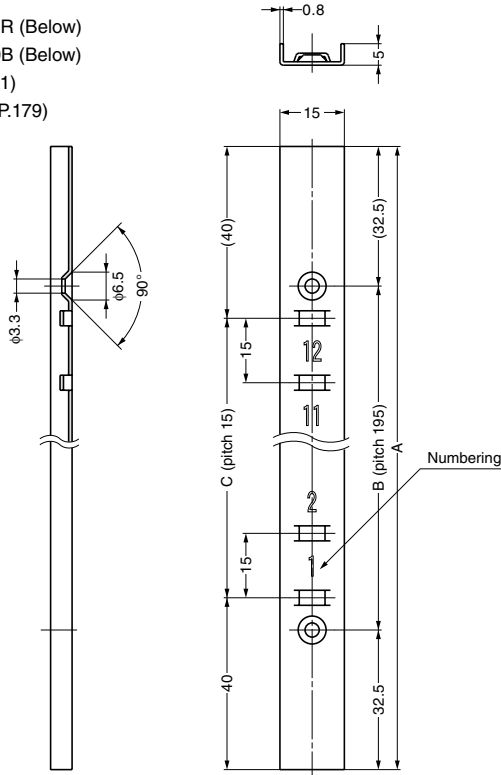


Features

- Design prevents installation mortise from being visible from the front.
- Height markers are placed at every 15mm for use as guides.
- Height adjustment is easy.
- Stainless steel with high load capacity

Sold Separately

- Shelf support SMB-15R (Below)
- Shelf support SMB-20B (Below)
- End cap SP-18E (P.171)
- End cap SPW-EC20 (P.179)



Item Code	Item Name	A	B	C	Material	Finish	Holes	Weight	Carton
120-030-675	SM-1820	1820	1755	1740	Stainless Steel (SUS304)	Satin	10	245 g	60 pcs
120-030-846	SM-2600	2600	2535	2520	Stainless Steel (SUS304)	Satin	14	352 g	30 pcs

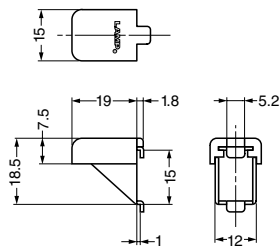
BRACKETS & SHELVING SYSTEM

SHELF STANDARD / SHELF SUPPORT

SHELF SUPPORT



SMB-15R



Features

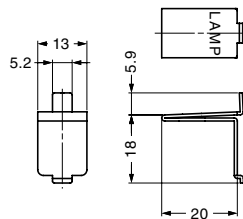
- For SM shelf standard
- Reliably quick installation on and disassembly from shelf standards.
- Cover is made from elastomer preventing slippage.

Item Code	Item Name	Material	Finish	Load Capacity/4 pcs	Weight	Box	Carton
120-030-674	SMB-15R	Stainless Steel (SUS304)	Satin	883 N	90 kgf	300 pcs	3000 pcs

SHELF SUPPORT

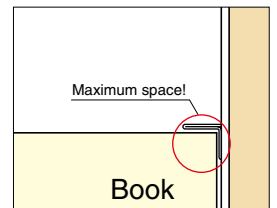


SPM-20B



Features

- For SM shelf standard
- Thin profile reduces dead space, making it a great solution for bookcases



Item Code	Item Name	Material	Finish	Load Capacity/4 pcs	Weight	Box	Carton
120-030-915	SPM-20B	Stainless Steel (SUS304)	Satin	588 N	60 kgf	300 pcs	3000 pcs



SPH

HEAVY DUTY SHELF STANDARD

BRACKETS & SHELVING SYSTEM

HEAVY DUTY SHELF STANDARD / SHELF SUPPORT

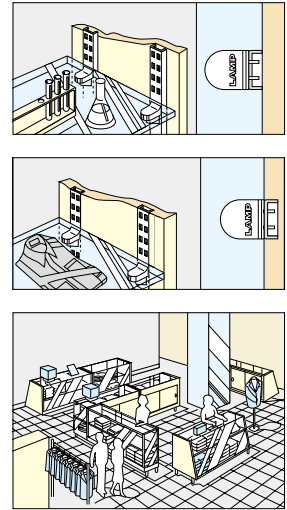
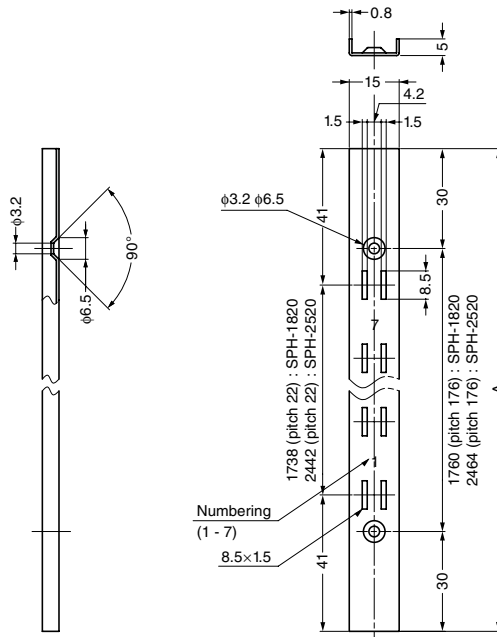


Features

- Height markers are placed at every 22mm for use as guides.
- Height adjustment is easy.
- Made from stainless steel and has a large load capacity making it resistant to distortions forming even with heavier loads.

Sold Separately

- Shelf support SPH-20 (Below)
- Shelf support SPH-5 (P.171)
- Shelf support SPH-15 (P.171)
- End cap SP-18E (P.171)
- End cap SPW-EC20 (P.179)

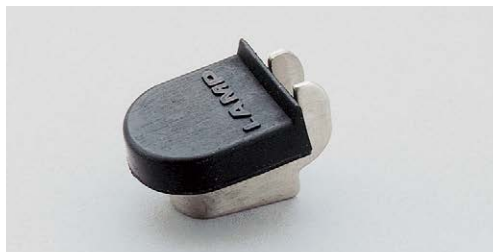


Item Code	Item Name	Material	Finish	A	Holes	Weight	Carton
120-030-673	SPH-1820	Stainless Steel (SUS304)	Satin	1820	11	230 g	80 pcs
120-030-682	SPH-2520	Stainless Steel (SUS304)	Satin	2524	15	330 g	30 pcs

SHELF SUPPORT



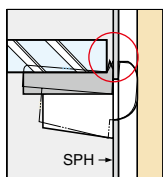
SPH-20



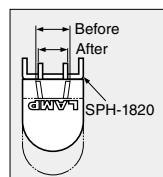
Features

- For SPH Shelf Standard
- Cover is made from synthetic rubber prevents slippage, making it ideal for use with glass.
- Reliably quick installation on and disassembly from shelf standards.
- Designed to hold items in place even if exposed to small vibrations.

Key Points

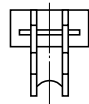
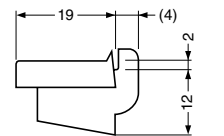
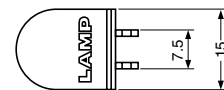
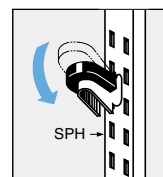


Glass shelf is not directly applied to the side board.



Prevents from coming off with spring effect.

Installation



Item Code	Item Name	Material	Finish	Load Capacity/4 pcs	Weight	Box	Carton
120-041-375	SPH-20	Stainless Steel (SUS304)	Satin	1280 N / 130 kgf	4.5 g	300 pcs	3000 pcs



SHELF SUPPORT (W/HOLDER)



SPH-5

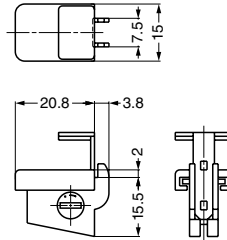


Features

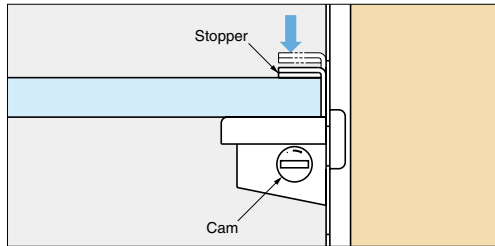
- For SPH Shelf Standard
- Cover is made from synthetic rubber and prevents slippage, making it ideal for use with glass.
- Reliably quick installation on and disassembly from shelf standards.
- Designed to hold items in place even if exposed to small vibrations.

Remarks

Suitable glass thickness: 4 - 8 mm



Installation



Item Code	Item Name	Material	Finish	Load Capacity/4 pcs		Weight	Box	Carton
120-041-374	SPH-5	Stainless Steel (SUS304)	Satin	1280 N	130 kgf	8 g	100 pcs	1000 pcs

SHELF SUPPORT

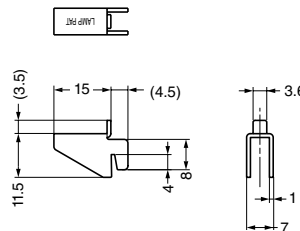


SPH-15



Features

- For SPH Shelf Standard
- Thin profile blends in well with overall design



Item Code	Item Name	Material	Finish	Load Capacity/4 pcs		Weight	Box	Carton
120-030-665	SPH-15	Stainless Steel (SUS304)	Satin	1280 N	130 kgf	2.6 g	400 pcs	4000 pcs

END CAP

SP-18E

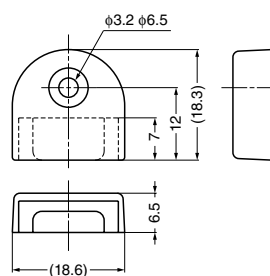


Features

For SPH (P.170), SM (P.169), SP (P.166), SPW (P.179).

Recommended Screws

Countersunk head wood screw 3.1

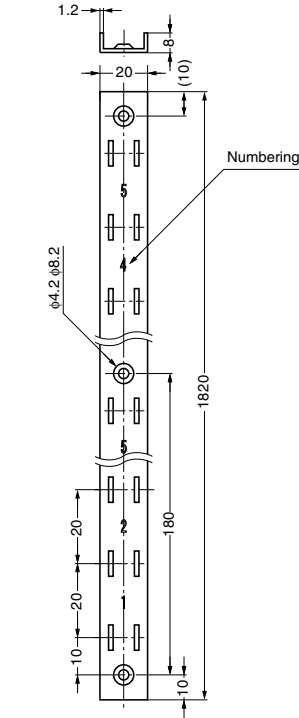


Item Code	Item Name	Colour	Material	Weight	Box	Carton
120-030-214	SP-18E-BL	Black	ABS	1 g	500 pcs	5000 pcs
120-030-215	SP-18E-WT	White	ABS	1 g	500 pcs	5000 pcs

ULTRA THIN SHELF STANDARD



SPHL-1820



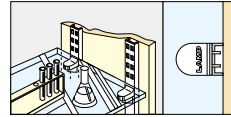
Features

- High load capacity on frame that is only 1.2mm thick, frame is highly resistant to distortions even with heavy loads.
- Height markers are placed at every 20mm for use as guides.
- Height adjustment is easy.
- Made from stainless steel and has a large load capacity.

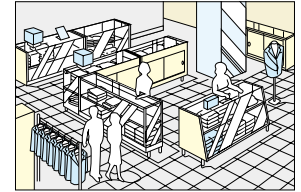
Sold Separately

- Shelf support SPHL-25 (below)
- Shelf support SPHL-30 (below)
- End cap SPHL-23E (below)

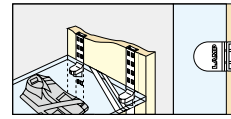
Surface Mount



Installation



Mortise Mount

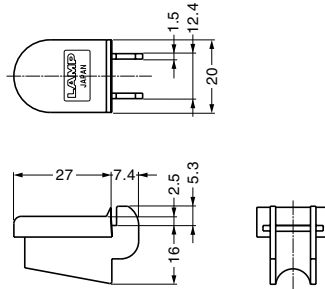


Item Code	Item Name	Material	Finish	Holes	Weight	Carton
120-030-912	SPHL-1820	Stainless Steel (SUS304)	Satin	11	500 g	30 pcs

SHELF SUPPORT



SPHL-30



Features

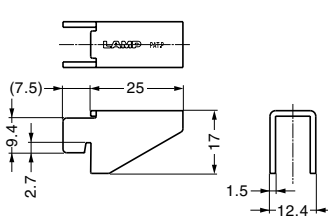
- For SPHL Heavy Duty Shelf Standard
- Reliably quick installation on and disassembly from shelf standards.
- Cover is made from elastomer preventing slippage, making it ideal for use with glass.
- Designed to hold items in place even if exposed to small vibrations.

Item Code	Item Name	Material	Finish	Load Capacity/4 pcs	Weight	Box	Carton
120-030-913	SPHL-30	Stainless Steel (SUS304)	Satin	1470 N	150 kgf	12 g	100 pcs / 1000 pcs

SHELF SUPPORT



SPHL-25



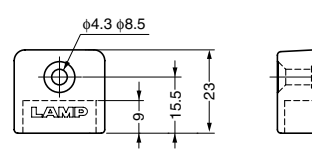
Features

- For SPHL Heavy Duty Shelf Standard
- Thin profile blends in well with overall design

Item Code	Item Name	Material	Finish	Load Capacity/4 pcs	Weight	Box	Carton
120-030-914	SPHL-25	Stainless Steel (SUS304)	Satin	1470 N	150 kgf	11 g	200 pcs / 1200 pcs

END CAP

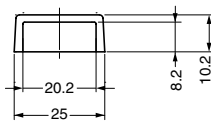
SPHL-23E



Features

For SPHL (Above).

Application Example

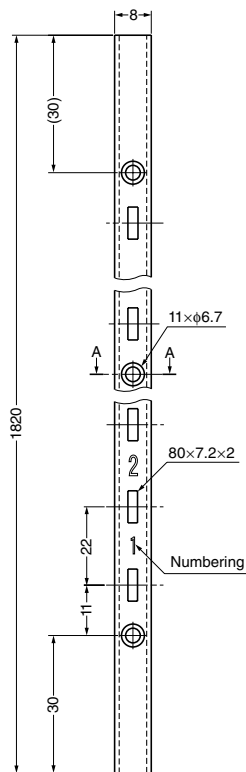


Item Code	Item Name	Material	Colour	Weight	Box	Carton
120-018-660	SPHL-23E-WT	Polypropylene (PP)	White	2 g	400 pcs	4000 pcs
120-018-661	SPHL-23E-BL	Polypropylene (PP)	Black	2 g	400 pcs	4000 pcs

SHELF STANDARD



SPN-1820



Features

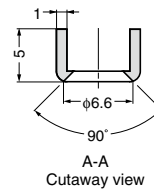
- Slim, 8mm wide shelf standard with a high load capacity.
- Height markers are placed at every 22mm for use as guides.
- This makes height adjustment very easy.
- Design holds shelf supports very firmly, preventing them from unintentionally dislodging.
- Easy to cut to desired length

Sold Separately

- Shelf support SPN-15 (below)
- End cap SPN-17EC (below)

Recommended Screws

Countersunk head tapping screw 3 or countersunk head wood screw 3.1

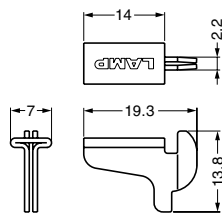


Item Code	Item Name	Type	Material	Finish	Holes	Weight	Carton
120-017-129	SPN-1820	w/Numbering	Stainless Steel (SUS430)	Satin	11	205 g	60 pcs

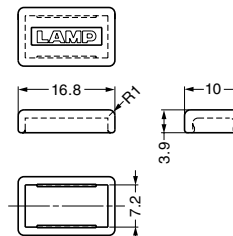
SHELF SUPPORT



SPN-15



Shelf support



Cap for shelf support

Features

For SPN-1820.

Sold Separately

Cap for shelf support SPN-15C

Cap for Shelf Support

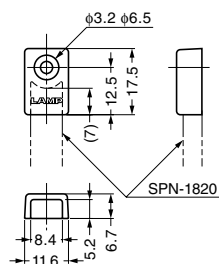
Item Code	Item Name	Material	Colour	Weight	Box	Carton
120-017-693	SPN-15C	Elastomer (TPE)	White	0.5 g	400 pcs	4000 pcs

Shelf Support

Item Code	Item Name	Material	Finish	Load Capacity/4 pcs	Weight	Box	Carton
120-017-692	SPN-15	Stainless Steel (SUS304)	Polished	785 N / 80 kgf	2 g	400 pcs	2000 pcs

END CAP

SPN-17EC



Features

For SPN-1820.

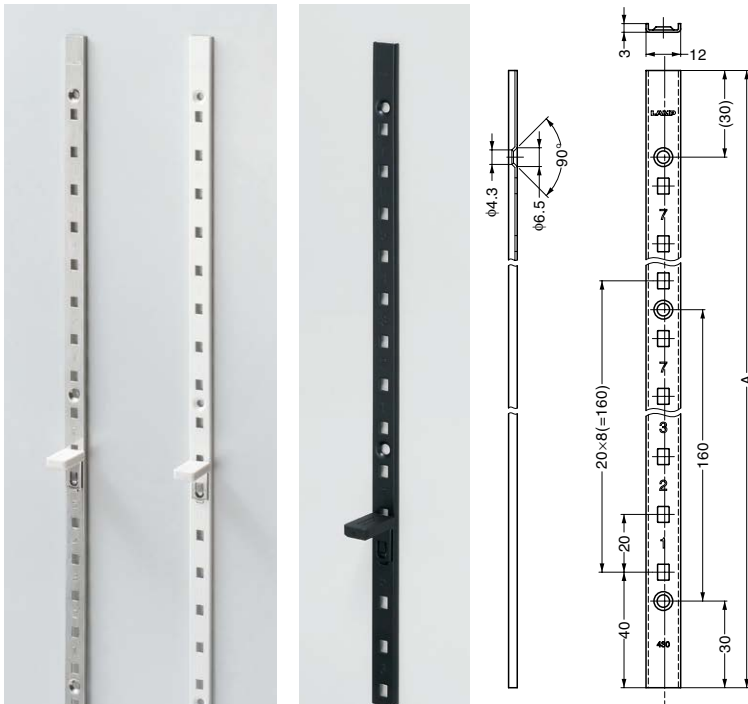
Item Code	Item Name	Material	Colour	Weight	Box	Carton
120-017-694	SPN-17EC	Polypropylene (PP)	White	0.9 g	400 pcs	4000 pcs



EXTRA THIN SHELF STANDARD

STAINLESS
430
STEEL

SPE



Features

- Ultra thin shelf standard (only 3mm). Even if front mounted without a mortise will not stand out or hurt the design.
- Height markers are placed at every 20mm for use as guides.
- This makes height adjustment very easy.
- Available in 3 different colours: plain, white or black.

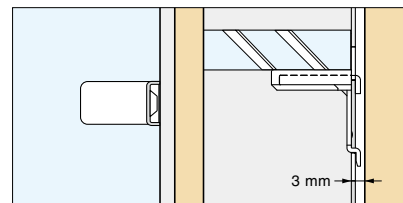
Sold Separately

- Stainless steel shelf support SPE-FB20S (below)
- End cap AP-EC20 (P.176)

Recommended Screws

Countersunk tapping screw 3 or countersunk wood screw 3.1

Installation



Item Code	Item Name	Material	Finish	A	Screw Hole	Weight	Carton
120-019-532	SPE-1820	Stainless Steel (SUS430)	Plain	1820	12	156 g	100 pcs
120-020-757	SPE-1820WT	Stainless Steel (SUS430)	White	1820	12	156 g	100 pcs
120-025-833	SPE-1820BL	Stainless Steel (SUS430)	Black	1820	12	156 g	100 pcs
120-021-423	SPE-2620	Stainless Steel (SUS430)	Plain	2620	17	230 g	60 pcs

SHELF SUPPORT

TEST
METHOD 9STAINLESS
430
STEEL

SPE-FB20S



Features

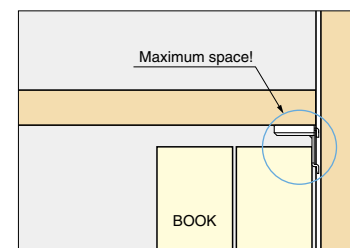
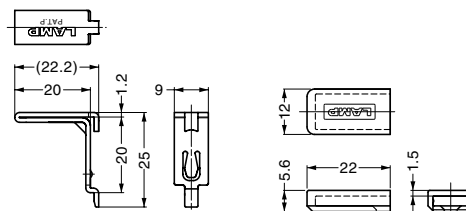
- For SPE extra thin shelf standard
- Reliably quick installation on and disassembly from shelf standards.
- Cover (sold separately) prevents slippage, making it ideal for use with glass.
- Thin design is barely visible from the side, making it ideal for use with displays.

Sold Separately

- Shelf support cap AP-FC20 (P.176)
- Shelf holder AP-FA20 (P.177)
- Shelf holder AP-FK20 (P.178), AP-FK20C (P.177)



With cover



Shelf Support

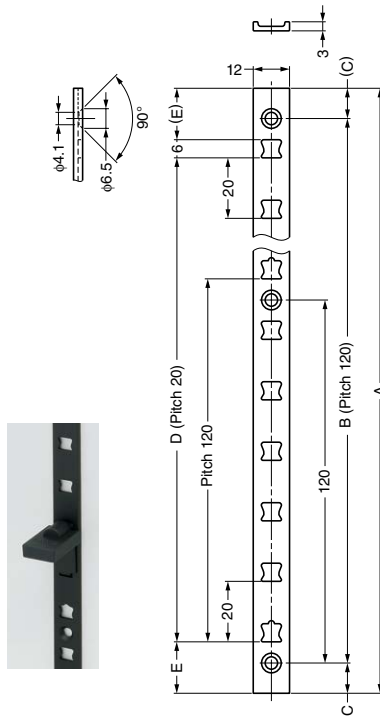
Item Code	Item Name	Material	Finish	Load Capacity/4 pcs	Weight	Box	Carton
120-020-903	SPE-FB20S	Stainless Steel (SUS430)	Polished	785 N	80 kgf	4.5 g	300 pcs
120-021-678	SPE-FB20SWT	Stainless Steel (SUS430)	White	785 N	80 kgf	4.5 g	300 pcs
120-025-834	SPE-FB20SBL	Stainless Steel (SUS430)	Black	785 N	80 kgf	4.5 g	300 pcs

Cover (Sold Separately)

Item Code	Item Name	Material	Colour	Weight	Box	Carton
120-019-642	SPE-FC20	Elastomer (TPE)	Light Grey	0.8 g	300 pcs	3000 pcs
120-028-504	SPE-FC20-BL	Elastomer (TPE)	Black	0.8 g	300 pcs	3000 pcs

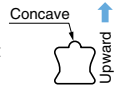
EXTRA THIN ALUMINIUM SHELF STANDARD

AP-DM



Features

- Aluminium shelf standard makes it easy to cut to proper length even while attached to wood or while bundled up.
- 3mm extra thin profile thickness. Front mount installation does not stand out or hurt the design.
- Wider screw allows for shallower cut during installation.
- New design holds objects firmly and prevents shelf support from being dislodged by unintentional force or contact.



Application Example



Sold Separately



Special screw in silver/white finish available.

1 set: 100 pcs

Item Code	Item Name	Screw	Finish
120-030-336	AP-SC3-16	Countersunk Head Tapping Screw 3x16	Paint/Silver
120-016-608	AP-SC3-16WT	Countersunk Head Tapping Screw 3x16	Paint/White
120-014-663	AP-SC3-30	Countersunk Head Tapping Screw 3x30	Paint/Silver
120-016-606	AP-SC3-30WT	Countersunk Head Tapping Screw 3x30	Paint/White
120-028-981	AP-SC3-16BL	Countersunk Head Tapping Screw 3x16	Paint/Black
120-028-982	AP-SC3-30BL	Countersunk Head Tapping Screw 3x30	Paint/Black

Material	Finish	Box(sets)
Steel	Body: Yellow Zinc Chromate Head: Paint/Silver, White, Black	100

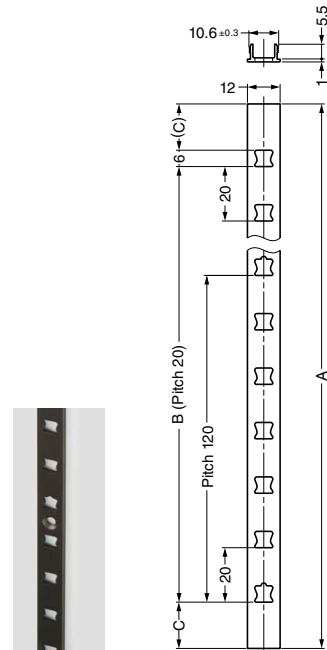
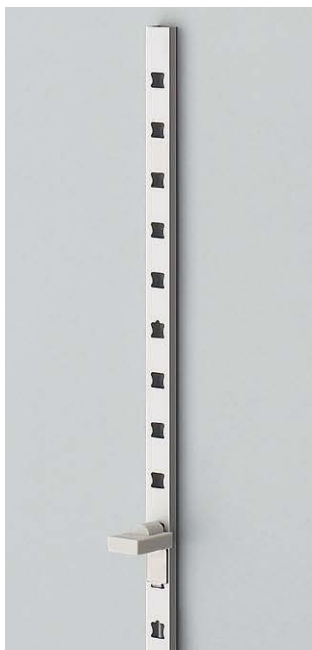
Sold Separately

- Shelf support AP-FB20 (P.176)

Item Code	Item Name	Type	A	B	C	D	E	Material	Finish	Holes	Weight(g)	Carton(pcs)
120-030-086	AP-DM1820	Surface Mount	1820	1800	10	1780	17	Aluminium Alloy	Anodized Silver	16	106	100
120-016-209	AP-DM1820WT	Surface Mount	1820	1800	10	1780	17	Aluminium Alloy	White	16	106	100
120-025-260	AP-DM1820BL	Surface Mount	1820	1800	10	1780	17	Aluminium Alloy	Black	16	106	100
120-030-087	AP-DM2600	Surface Mount	2600	2520	40	2500	47	Aluminium Alloy	Anodized Silver	22	150	60

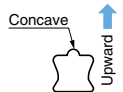
ALUMINIUM PUSH IN SHELF STANDARD

AP-DH



Features

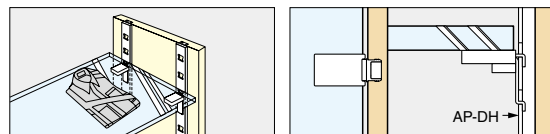
- Aluminium shelf standard makes it easy to cut to proper length even while attached to wood or while bundled up.
- Push in type does not require screws for installation
- New design holds objects firmly and prevents shelf support from being dislodged by unintentional force or contact.



Sold Separately

- Shelf support AP-FB20 (P.176)

Application Example



Item Code	Item Name	Type	A	B	C	Material	Finish	Weight(g)	Carton(pcs)
120-030-088	AP-DH1820	Recessed Mount	1820	1780	17	Aluminium Alloy	Anodized Silver	100	100
120-036-269	AP-DH1820BL	Recessed Mount	1820	1780	17	Aluminium Alloy	Anodized Black	100	100
120-030-089	AP-DH2600	Recessed Mount	2600	2500	47	Aluminium Alloy	Anodized Silver	165	60

SHELF SUPPORT

TEST METHOD 9

STAINLESS 430 STEEL

AP-FB20

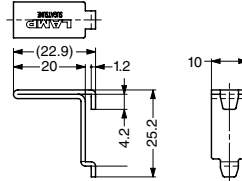


Features

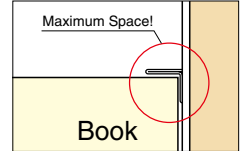
- Mirror & Black colour available.
- For AP-DM and AP-DH (P.175).
- Designed to maximize the space under the shelf.

Sold Separately

- Shelf support cap AP-FC20 (below)
- Shelf holder AP-FA20 (P.177)
- Shelf holder AP-FK20 (P.178)



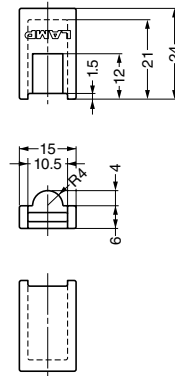
Application Example



Item Code	Item Name	Material	Finish	Load Capacity/4 pcs		Weight(g)	Box(pcs)	Carton(pcs)
120-030-158	AP-FB20	Stainless Steel (SUS430)	Mirror	441 N	45 kgf	5.3	300	3000
120-025-835	AP-FB20BL	Stainless Steel (SUS430)	Black	441 N	45 kgf	5.3	300	3000
120-036-305	AP-FB20WT	Stainless Steel (SUS430)	White	441 N	45 kgf	5.3	300	3000

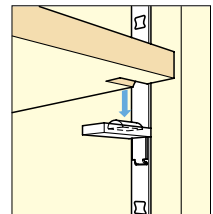
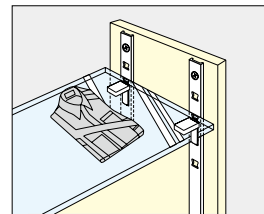
SHELF SUPPORT CAP

AP-FC20



Features

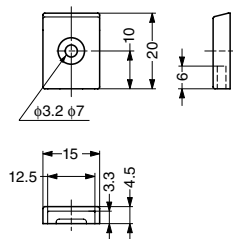
- Light Grey & Black colour available.
- For shelf support AP-FB20.
- Insert the cap with half round shape facing up, and cutout the shelf to prevent from sliding.



Item Code	Item Name	Material	Colour	Weight(g)	Box(pcs)	Carton(pcs)
120-030-159	AP-FC20	Elastomer (TPE)	Light Grey	1.6	400	4000
120-028-502	AP-FC20-BL	Elastomer (TPE)	Black	1.6	400	4000

END CAP

AP-EC20



Features

- Light Grey & Black colour available.
- For AP-DM (P.175) and SPE (P.174).

Application Example



Item Code	Item Name	Material	Colour	Weight(g)	Box(pcs)	Carton(pcs)
120-030-157	AP-EC20	ABS	Light Grey	1.0	400	4000
120-028-503	AP-EC20-BL	ABS	Black	1.0	400	4000

SHELF HOLDER

AP-FA20



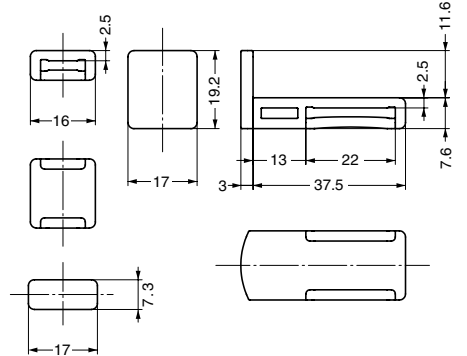
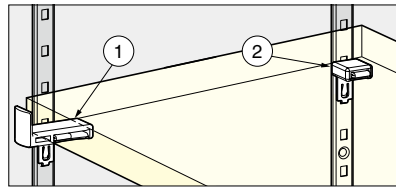
Features

Use with SPE-FB20S (P.174), AP-FB20 (P.176).

Remarks

Sold in sets (2 parts). 2 sets are necessary for 1 shelf.

Installation



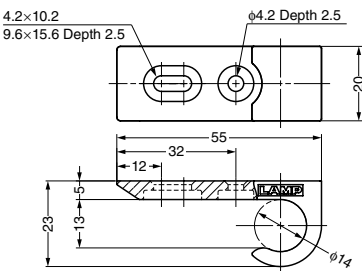
Shelf Support	Board Thickness	Distance (Centre of shelf standard to edge of the shelf board)	
		①	②
AP-FB20 (P.176)	Min.12	18 - 30	20
SPE-FB20S (P.174)	Min.12	17.5 - 30.5	21

Item Code	Item Name	Colour	Material	Weight	Box	Carton
120-024-539	AP-FA20-WT	White	Polyethylene (PE)	4.9 g	100 pcs	2500 pcs
120-026-164	AP-FA20-BL	Black	Polyethylene (PE)	4.9 g	100 pcs	2500 pcs

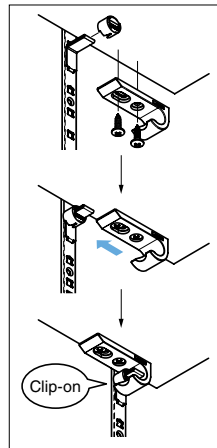
SHELF SUPPORT HOOK



AP-FK20D



How to Install



Features

- Shelf support hook to be used with dowel AP-FK20C and shelf support.
- Recommended angle: 0 - 60°.
- Temporary holding feature.

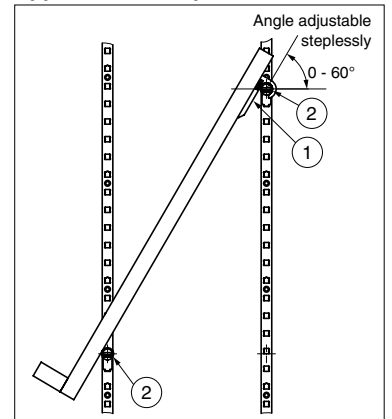
Remarks

- Used in pairs.
- Dowel AP-FK20C and shelf support is sold separately (See below).

Parts Included

Truss head tapping screw 4x16 (SUS) 2 pcs.

Application Example



- ① AP-FK20D
- ② AP-FK20C (Sold separately)

Item Code	Item Name	Material	Colour	Door Thickness	Load Capacity	Weight	Box
120-030-482	AP-FK20D	Polyacetal (POM)	White	Min.18	294 N / 30 kgf	12 g	40 pcs

*AP-FK20D x 2 pcs. / Angle: 60°

DOWEL

AP-FK20C



Installation

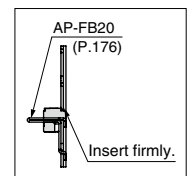
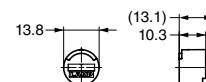
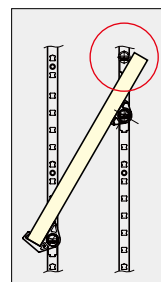


Features

- Recommended to use extra pieces for AP-FK20 (P.178) to hold angled shelf.
- For SPE-FB20S (P.174) and AP-FB20 (P.176).

Remarks

4 pcs are originally included in shelf holder AP-FK20.



Item Code	Item Name	Colour	Material	Weight	Box
120-024-538	AP-FK20C	White	Polyethylene (PE)	1.0 g	1000 pcs

SHELF HOLDER (FOR AP-DM)

AP-FB120

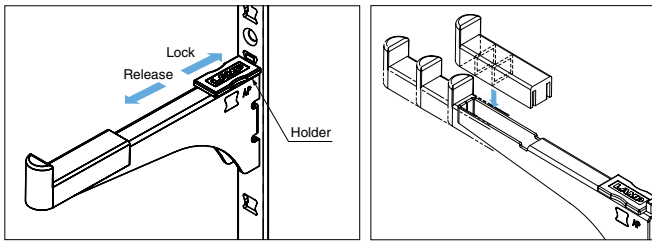


Features

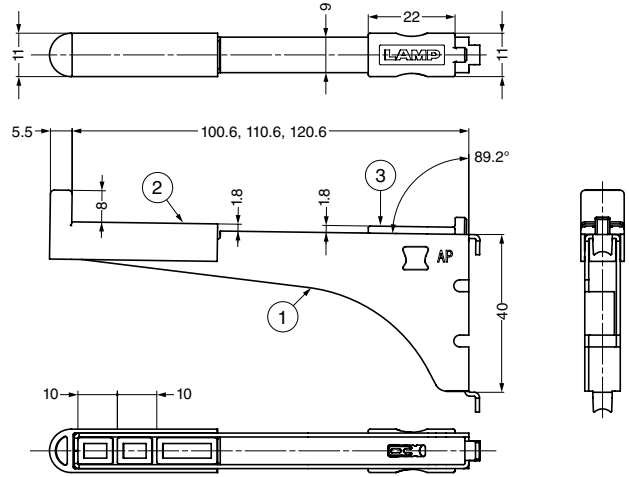
- Used in pairs.
- Holds shelves in place firmly and prevents slippage.
- Adjustable to 3 different lengths.
- Raised ends prevent shelves from detaching or falling off.
- Can also be used on glass.

Remarks

- Maximum size of shelf board: Width 900 mm x 120 mm.
- Load capacity of below table is included the weight of the shelf board.



Depth is adjustable in 3 different positions.



Item Code	Item Name	Load Capacity N / 2 pcs	Load Capacity kgf / 2 pcs	Weight
120-032-997	AP-FB120	49 N	5 kgf	33 g

No.	Parts Name	Material	Finish/Colour
①	Body	Stainless (SUS430)	Satin
②	Holder	Polypropylene (PP)	White
③	Stopper	Polypropylene (PP)	White

SHELF HOLDER WITH ANGLE ADJUSTING FUNCTION

AP-FK20



Features

- Stepless angle adjustment.
- For SPE-FB20S (P.174) and AP-FB20 (P.176).

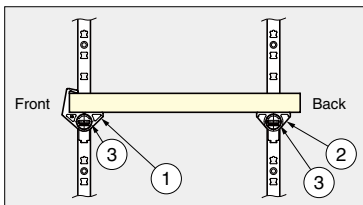
Remarks

Sold in sets (① 2 pcs, ② 2 pcs, ③ AP-FK20C 4 pcs).

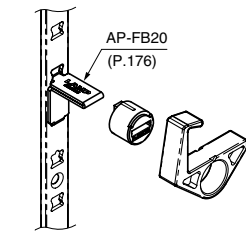
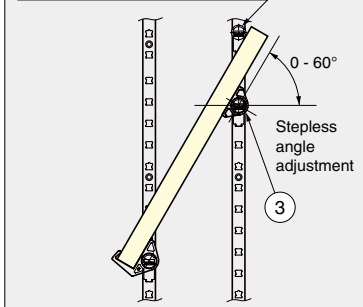
Sold Separately: Extra Dowel

Dowel AP-FK20C (P.177) is sold separately for additional use.

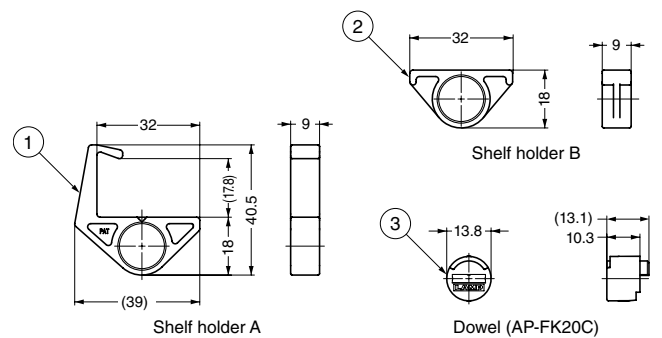
Installation



Recommended to use extra dowels
③ AP-FK20C (Sold separately)



Application Example



No.	Part Name	Colour	Material
①	Shelf Holder A	White	Polyacetal (POM)
②	Shelf Holder B	White	Polyacetal (POM)
③	Dowel	White	Polyethylene (PE)

Item Code	Item Name	Door Thickness	Load Capacity	Weight	Box
120-024-536	AP-FK20	18 - 20	98 N 10 kgf	20 g	200 sets

*AP-FK20x2 pcs./Angle: 60°

SHELF STANDARD



SPW-1820



Features

- Visually appealing design with installation holes not visible from the front.
- Cover (sold separately) hides installation screws
- Height markers are placed at every 20mm for use as guides.
- This makes height adjustment very easy.

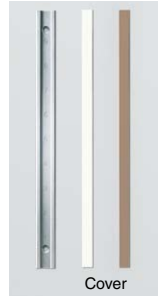
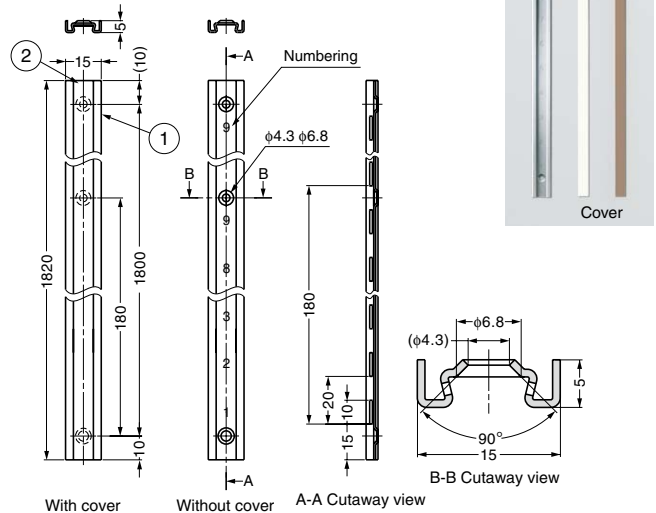
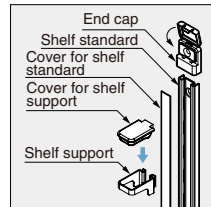
Sold Separately

- Cover
- Shelf support SPW-20 (below)
- End cap SPW-EC20 (below)
- End cap SP-18E (P.171)

Recommended Screws

Countersunk tapping screw 3

Installation



No.	Part Name	Material	Finish/Colour
①	Shelf Standard	Stainless Steel (SUS430)	Satin
②	Cover	Rigid Polyvinyl Chloride	White, Brown

Shelf Standard

Item Code	Item Name	Holes	Weight	Carton
120-017-699	SPW-1820	11	335 g	60 pcs

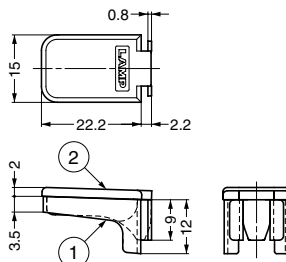
Cover (Sold Separately)

Item Code	Item Name	Colour	Weight	Carton
120-017-817	SPW-CV1820-WT	White	8 g	1000 pcs
120-017-816	SPW-CV1820-BR	Brown	8 g	1000 pcs

SHELF SUPPORT



SPW-20



Features

- For SPW-1820 shelf standard
- Covers with the same colour as SPW-1820 cover colours are available.
- Designed to hold items in place even if exposed to small vibrations.

No.	Part Name	Material	Finish/Colour
①	Shelf Support	Stainless Steel (SUS304)	Mirror
②	Cover	Elastomer (TPE)	White, Brown

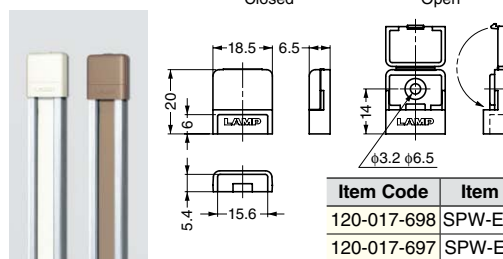
Item Code	Item Name	Colour	Load Capacity/4 pcs	Weight	Box	Carton
120-017-696	SPW-20-WT	White	785 N 80 kgf	4.5 g	200 pcs	2000 pcs
120-017-695	SPW-20-BR	Brown	785 N 80 kgf	4.5 g	200 pcs	2000 pcs

END CAP

SPW-EC20



Installation



Features

For SPW-1820 (above), SP, SPS (P.166), SM (P.169), SPH (P.170) shelf standards.

Item Code	Item Name	Material	Colour	Weight	Box	Carton
120-017-698	SPW-EC20-WT	Polypropylene (PP)	White	2 g	400 pcs	4000 pcs
120-017-697	SPW-EC20-BR	Polypropylene (PP)	Brown	2 g	400 pcs	4000 pcs

ANGLE BRACKET



SSA



Features

- Long L shaped angle bracket.
- Installation connections are hidden by the shelf, allowing for a seamless design
- In the middle is an oval hole, allowing for temporary holding and vertical adjustment of +/- 2mm

Remarks

Please install to sideboard.

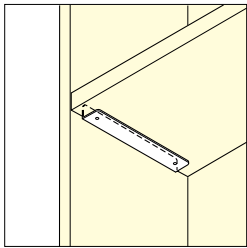
Parts Included

- Countersunk head tapping screw 3.5x16 (SUS)
- Countersunk head tapping screw 3.5x12 (SUS)

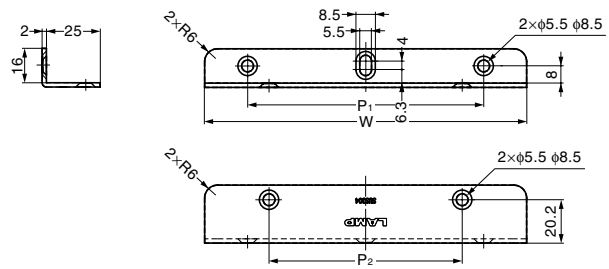
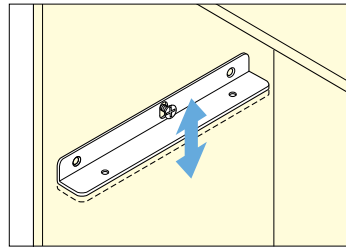
Sold Separately

Screw for plaster board 3.5x40 (SUS)

Installation



Adjustable in a Vertical Direction

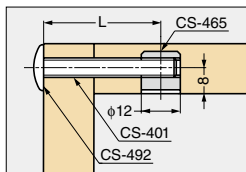
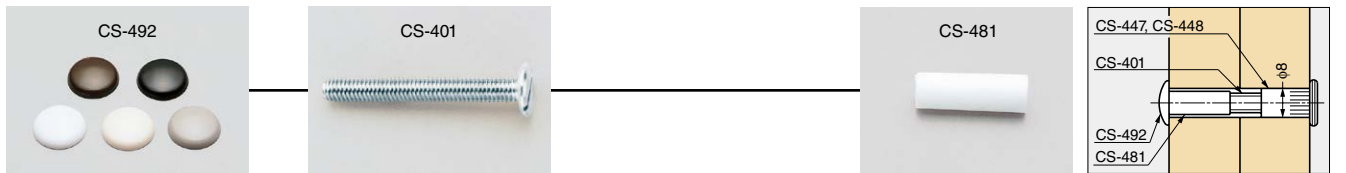


Screw for Plaster Board (Sold Separately)

Item Code	Item Name	Screw	Material	Qty
120-027-279	SSA-SBS35-40	Countersunk Head Tapping Screw 3.5x40	Stainless Steel	3 pcs

Item Code	Item Name	Material	Finish	W	P ₁	P ₂	Load Capacity	Weight	Box	Carton	
120-027-253	SSA-100H	Stainless Steel (SUS304)	Satin	100	60	40	1470 N/pair	150 kgf/pair	65 g	30 pcs	240 pcs
120-027-254	SSA-150H	Stainless Steel (SUS304)	Satin	150	110	90	1470 N/pair	150 kgf/pair	97 g	20 pcs	160 pcs
120-027-255	SSA-200H	Stainless Steel (SUS304)	Satin	200	160	130	1470 N/pair	150 kgf/pair	130 g	15 pcs	120 pcs

CONNECTOR SYSTEM (P.181, 189)



Example



L	Bolt Length
16	*20
22	26
29	*33
36	40
43	*47
50	54
57	*61
61	*65

*Made to order.



Door Thickness	Bolt Length
18 - 28	*20
24 - 34	26
31 - 41	*33
38 - 48	40
45 - 55	*47
52 - 62	54
59 - 69	*61
63 - 73	*65

*Made to order.



Door Thickness	Bolt Length
25 - 28	*20
31 - 34	26
38 - 41	*33
45 - 48	40
52 - 55	*47
59 - 62	54
66 - 69	*61
70 - 73	*65

*Made to order.



Door Thickness	Bolt Length
26 - 28	*20
32 - 34	26
39 - 41	*33
46 - 48	40
53 - 55	*47
60 - 62	54
67 - 69	*61
71 - 73	*65

*Made to order.

STAINLESS STEEL COUNTERSUNK WASHER



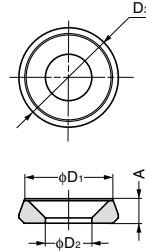
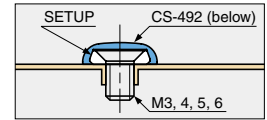
SETUP



Features

- For surface mount of M3, M4, M5, M6 countersunk head screw.
- CS-492 cap sold separately.

Installation



Item Code	Item Name	Material	Finish	A	D ₁	D ₂	D ₃	Weight	Box
120-038-172	SETUP-SUS-M3	Stainless Steel (SUS303)	Plain	1.9	6.5	4	9	0.60 g	1000 pcs
120-038-173	*SETUP-SUS-M4	Stainless Steel (SUS303)	Plain	1.9	8	5	13	1.50 g	1000 pcs
120-138-074	SETUP-SUS-M5	Stainless Steel (SUS303)	Plain	3	10.6	6	14	2.02 g	500 pcs
120-037-149	SETUP-SUS-M6	Stainless Steel (SUS303)	Plain	3.7	12.8	7	15	2.66 g	500 pcs

* Item name has been revised. (Old item name : SETUP-SUS)

CAP FOR SETUP

CS-492

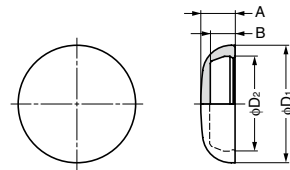


Features

Conceals screw head when used with countersunk washer (above).

Remarks

1 pack contains 300 pieces



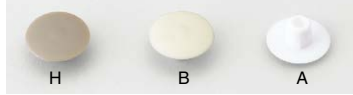
Item Code	Item Name	Material	Colour	A	B	D ₁	D ₂	Weight	Box	Carton
120-038-067	CS492-M3-IV-P100	Polyethylene (PE)	Ivory	3.1	2.1	12.5	9	0.16 g	20 packs	200 packs
120-038-069	CS492-M3-WT-P100	Polyethylene (PE)	White	3.1	2.1	12.5	9	0.16 g	20 packs	200 packs
120-038-068	CS492-M3-LGR-P100	Polyethylene (PE)	Light Grey	3.1	2.1	12.5	9	0.16 g	20 packs	200 packs
120-038-066	CS492-M3-DGR-P100	Polyethylene (PE)	Dark Grey	3.1	2.1	12.5	9	0.16 g	20 packs	200 packs
120-038-073	CS-492-M4-IV-P100	Polyethylene (PE)	Ivory	3.7	2.4	16.5	12.4	0.23 g	20 packs	200 packs
120-038-076	CS-492-M4-WT-P100	Polyethylene (PE)	White	3.7	2.4	16.5	12.4	0.23 g	20 packs	200 packs
120-038-074	CS-492-M4-LGR-P100	Polyethylene (PE)	Light Grey	3.7	2.4	16.5	12.4	0.23 g	20 packs	200 packs
120-038-072	CS-492-M4-DGR-P100	Polyethylene (PE)	Dark Grey	3.7	2.4	16.5	12.4	0.23 g	20 packs	200 packs
120-038-078	CS492-M5-IV-P100	Polyethylene (PE)	Ivory	4.4	3.2	17.5	14	0.35 g	10 packs	100 packs
120-038-080	CS492-M5-WT-P100	Polyethylene (PE)	White	4.4	3.2	17.5	14	0.35 g	10 packs	100 packs
120-038-079	CS492-M5-LGR-P100	Polyethylene (PE)	Light Grey	4.4	3.2	17.5	14	0.35 g	10 packs	100 packs
120-038-077	CS492-M5-DGR-P100	Polyethylene (PE)	Dark Grey	4.4	3.2	17.5	14	0.35 g	10 packs	100 packs
120-038-082	CS492-M6-IV-P100	Polyethylene (PE)	Ivory	5.4	3.9	18.5	15	0.47 g	5 packs	50 packs
120-038-084	CS492-M6-WT-P100	Polyethylene (PE)	White	5.4	3.9	18.5	15	0.47 g	5 packs	50 packs
120-038-083	CS492-M6-LGR-P100	Polyethylene (PE)	Light Grey	5.4	3.9	18.5	15	0.47 g	5 packs	50 packs
120-038-081	CS492-M6-DGR-P100	Polyethylene (PE)	Dark Grey	5.4	3.9	18.5	15	0.47 g	5 packs	50 packs

* Item names have been revised. (Old item names : *¹ CS-492I, *² CS-492W, *³ CS-492-LGR, *⁴ CS-492-DGR)

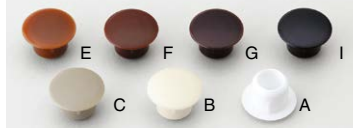


MULTI-PURPOSE CAP

KD-771-6 (Installation hole: $\phi 5$)



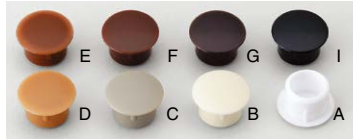
KD-771-65 (Installation hole: $\phi 8$)



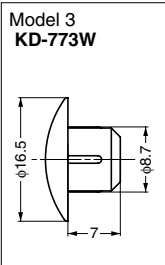
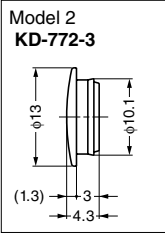
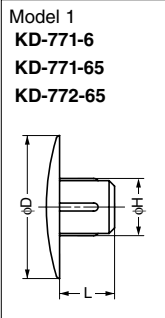
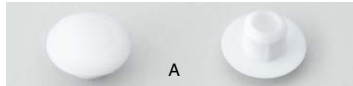
KD-772-3 (Installation hole: $\phi 10$)



KD-772-65 (Installation hole: $\phi 10$)



KD-773W (Installation hole: $\phi 8.6$)



KD-771, KD-772, KD-773W

Item Code	Item Name	Model	Type	Material	Colour	H	D	L	Weight	Box	Carton
120-041-050	KD-771-6W	1	A	Polypropylene (PP)	White	5.2	13	5	0.13 g	2500 pcs	25000 pcs
120-041-054	KD-771-6I	1	B	Polypropylene (PP)	Ivory	5.2	13	5	0.13 g	2500 pcs	25000 pcs
120-049-037	KD-771-6SGR	1	H	Polypropylene (PP)	Grey	5.2	13	5	0.13 g	2500 pcs	25000 pcs

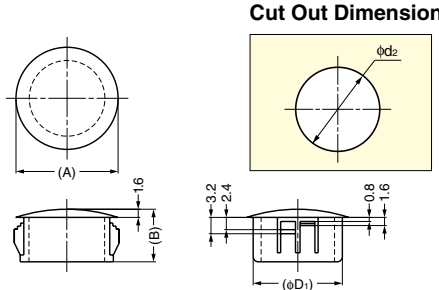
Item Code	Item Name	Model	Type	Material	Colour	H	D	L	Weight	Box	Carton
120-041-060	KD-771-65W	1	A	Polypropylene (PP)	White	8.1	12	6.5	0.19 g	2000 pcs	20000 pcs
120-041-065	KD-771-65I	1	B	Polypropylene (PP)	Ivory	8.1	12	6.5	0.19 g	2000 pcs	20000 pcs
120-041-066	KD-771-65GR	1	C	Polypropylene (PP)	Grey	8.1	12	6.5	0.19 g	2000 pcs	20000 pcs
120-041-063	KD-771-65RBR	1	E	Polypropylene (PP)	Camel	8.1	12	6.5	0.19 g	2000 pcs	20000 pcs
120-041-062	KD-771-65DBR	1	F	Polypropylene (PP)	Dark Brown	8.1	12	6.5	0.19 g	2000 pcs	20000 pcs
120-041-061	KD-771-65BR	1	G	Polypropylene (PP)	Brown	8.1	12	6.5	0.19 g	2000 pcs	20000 pcs
120-041-064	KD-771-65B	1	I	Polypropylene (PP)	Black	8.1	12	6.5	0.19 g	2000 pcs	20000 pcs

Item Code	Item Name	Model	Type	Material	Colour	Weight	Box	Carton
120-041-080	KD-772-3W	2	A	Polypropylene (PP)	White	0.22 g	2000 pcs	20000 pcs
120-041-083	KD-772-3I	2	B	Polypropylene (PP)	Ivory	0.22 g	2000 pcs	20000 pcs
120-041-081	KD-772-3BR	2	G	Polypropylene (PP)	Brown	0.22 g	2000 pcs	20000 pcs
120-041-084	KD-772-3B	2	I	Polypropylene (PP)	Black	0.22 g	2000 pcs	20000 pcs

Item Code	Item Name	Model	Type	Material	Colour	H	D	L	Weight	Box	Carton
120-041-070	KD-772-65W	1	A	Polypropylene (PP)	White	10.3	13	7	0.29 g	1500 pcs	15000 pcs
120-041-075	KD-772-65I	1	B	Polypropylene (PP)	Ivory	10.3	13	7	0.29 g	1500 pcs	15000 pcs
120-049-216	KD-772-65GR	1	C	Polypropylene (PP)	Grey	10.3	13	7	0.29 g	1500 pcs	15000 pcs
120-049-257	KD-772-65MN	1	D	Polypropylene (PP)	Maple	10.3	13	7	0.29 g	1500 pcs	15000 pcs
120-041-073	KD-772-65RBR	1	E	Polypropylene (PP)	Camel	10.3	13	7	0.29 g	1500 pcs	15000 pcs
120-041-072	KD-772-65DBR	1	F	Polypropylene (PP)	Dark Brown	10.3	13	7	0.29 g	1500 pcs	15000 pcs
120-041-071	KD-772-65BR	1	G	Polypropylene (PP)	Brown	10.3	13	7	0.29 g	1500 pcs	15000 pcs
120-041-074	KD-772-65B	1	I	Polypropylene (PP)	Black	10.3	13	7	0.29 g	1500 pcs	15000 pcs

Item Code	Item Name	Model	Type	Material	Weight	Colour	Box	Carton
120-041-003	KD-773W	3	A	Polyethylene (PE)	0.48 g	White	1000 pcs	10000 pcs

MULTI-PURPOSE CAP



Cut Out Dimension

Features

- One touch installation that easily covers up holes.
- Can be installed on wood or sheet metal, recommended as a cap for wiring holes.
- Uses flame retardant material rated UL94V-2.

Item Code	Item Name	Material	Colour	A	B	D ₁	d ₂	Door Thickness	Weight	Carton
120-049-322	KD- 80- 64B	Polyamide (PA)	Black	8	8	6.1	6.4	1.6	0.17 g	100 pcs
120-049-323	KD- 95- 80B	Polyamide (PA)	Black	9.5	8	7.7	8	1.6	0.23 g	100 pcs
120-049-324	KD-120- 95B	Polyamide (PA)	Black	12	10.3	9.3	9.5	0.8 - 3.2	1.00 g	100 pcs
120-049-325	KD-135-110B	Polyamide (PA)	Black	13.5	10.3	10.9	11	0.8 - 3.2	0.47 g	100 pcs
120-049-326	KD-146-127B	Polyamide (PA)	Black	14.6	10.3	12.5	12.7	0.8 - 3.2	0.50 g	100 pcs
120-049-327	KD-167-143B	Polyamide (PA)	Black	16.7	10.3	14.1	14.3	0.8 - 3.2	0.76 g	100 pcs
120-049-328	KD-182-159B	Polyamide (PA)	Black	18.2	10.3	15.8	15.9	0.8 - 3.2	8.78 g	100 pcs
120-049-329	KD-200-175B	Polyamide (PA)	Black	20	10.3	17.3	17.5	0.8 - 3.2	1.10 g	100 pcs
120-049-330	KD-232-190B	Polyamide (PA)	Black	23.2	10.3	18.9	19	0.8 - 3.2	1.00 g	100 pcs
120-049-331	KD-226-206B	Polyamide (PA)	Black	22.6	10.3	20.4	20.6	0.8 - 3.2	1.50 g	100 pcs
120-049-332	KD-258-222B	Polyamide (PA)	Black	25.8	11.5	22	22.2	0.8 - 3.2	2.00 g	100 pcs
120-049-333	KD-305-255B	Polyamide (PA)	Black	30.5	11.5	25.3	25.5	0.8 - 3.2	2.45 g	100 pcs
120-049-334	KD-310-280B	Polyamide (PA)	Black	31	11.5	27.6	28	0.8 - 3.2	2.47 g	100 pcs
120-049-335	KD-333-301B	Polyamide (PA)	Black	33.3	11.5	30	30.1	0.8 - 3.2	2.70 g	100 pcs
120-049-336	KD-349-320B	Polyamide (PA)	Black	34.9	11.5	31.8	32	0.8 - 3.2	3.40 g	100 pcs
120-049-337	KD-380-350B	Polyamide (PA)	Black	38	11.5	34.9	35	0.8 - 3.2	3.70 g	100 pcs
120-049-338	KD-427-380B	Polyamide (PA)	Black	42.7	11.5	37.9	38	0.8 - 3.2	5.00 g	100 pcs
120-049-339	KD-484-450B	Polyamide (PA)	Black	48.4	11.5	44.6	45	0.8 - 3.2	6.00 g	100 pcs
120-499-340	KD-550-510B	Polyamide (PA)	Black	55	11.5	50.6	51	0.8 - 3.2	7.00 g	100 pcs

DOWEL

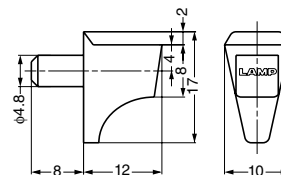
TEST METHOD 9

SS-323



Recommended Mounting Hole

φ5

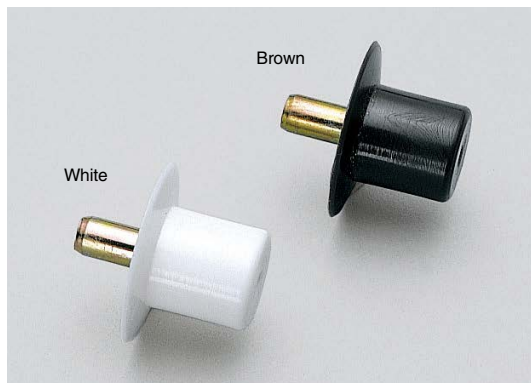


Item Code	Item Name	Material	Colour	Load Capacity	Weight	Box	Carton
120-041-326	SS-323W	Polyamide (PA) (w/ Steel Shaft)	White	392 N/4 pcs 40 kgf/4 pcs	3.4 g	500 pcs	5000 pcs
120-041-327	SS-323BR	Polyamide (PA) (w/ Steel Shaft)	Brown	392 N/4 pcs 40 kgf/4 pcs	3.4 g	500 pcs	5000 pcs

DOWEL

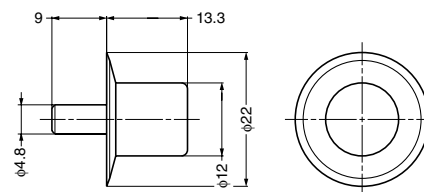
TEST METHOD 9

SS-324



Recommended Mounting Hole

φ5



Item Code	Item Name	Colour	Material	Load Capacity	Weight	Box	Carton
120-041-360	SS-324W	White	Polyamide (PA) (w/ Steel Shaft)	294 N/4 pcs 30 kgf/4 pcs	4 g	300 pcs	3000 pcs
120-041-361	SS-324BR	Brown	Polyamide (PA) (w/ Steel Shaft)	294 N/4 pcs 30 kgf/4 pcs	4 g	300 pcs	3000 pcs

DOWEL

TEST METHOD 9

SS-307

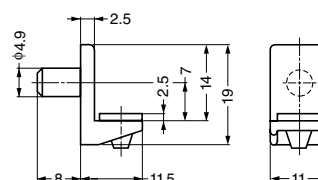


Recommended Mounting Hole

φ5

Remarks

1 pack includes 500 pieces



Item Code	Item Name	Material	Colour	Load Capacity	Weight	Box	Carton
120-038-194	SS-307W-P500	Polyamide (PA) (w/o Rubber)	White	98 N/4 pcs 10 kgf/4 pcs	0.9 g	1 pack	10 packs
120-038-193	SS-307BR-P500	Polyamide (PA) (w/o Rubber)	Brown	98 N/4 pcs 10 kgf/4 pcs	0.9 g	1 pack	10 packs
*120-038-192	SS-307B-P500	Polyamide (PA) (w/o Rubber)	Black	98 N/4 pcs 10 kgf/4 pcs	0.9 g	1 pack	10 packs
120-038-148	SS-307WG-P500	Polyamide (PA) (w/ Rubber)	White	98 N/4 pcs 10 kgf/4 pcs	0.9 g	1 pack	10 packs
120-038-147	SS-307BRG-P500	Polyamide (PA) (w/ Rubber)	Brown	98 N/4 pcs 10 kgf/4 pcs	0.9 g	1 pack	10 packs
*120-038-146	SS-307BG-P500	Polyamide (PA) (w/ Rubber)	Black	98 N/4 pcs 10 kgf/4 pcs	0.9 g	1 pack	10 packs

*...The item will be discontinued after current stock is sold out.

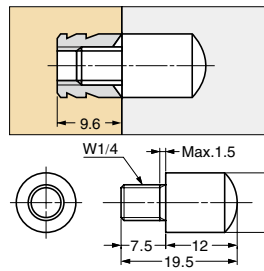
DOWEL

TEST METHOD 9

SS-318



Installation



Recommended Mounting Hole
φ10

Item Code	Item Name	Material	Finish	Load Capacity		Weight	Box
120-041-334	SS-318M (Dowel)	Brass	Nickel	294 N/4 pcs	30 kgf/4 pcs	12 g	500 pcs
120-041-335	SS-318W (Catch)	Brass	Nickel	294 N/4 pcs	30 kgf/4 pcs	12 g	1000 pcs

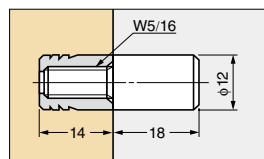
DOWEL

TEST METHOD 9

SS-322



Installation



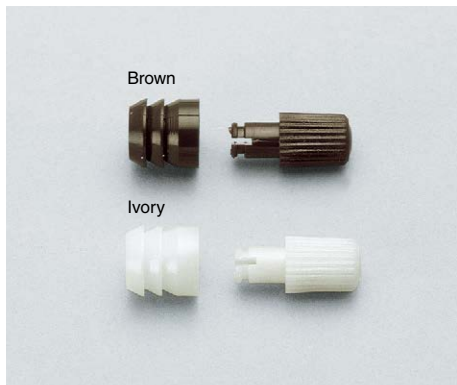
Recommended Mounting Hole
φ12

Item Code	Item Name	Material	Finish	Load Capacity		Weight	Box	Carton
120-041-356	SS-322M (Dowel)	Brass	Nickel	441 N/4 pcs	45 kgf/4 pcs	28.3 g	200 pcs	800 pcs
120-041-357	SS-322W (Catch)	Brass	Nickel	441 N/4 pcs	45 kgf/4 pcs	28.3 g	500 pcs	2500 pcs

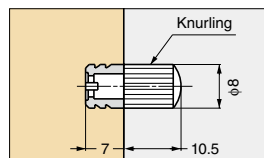
DOWEL

TEST METHOD 9

SS-320



Installation



Features
• One touch easy detachment
Recommended Mounting Hole
φ8

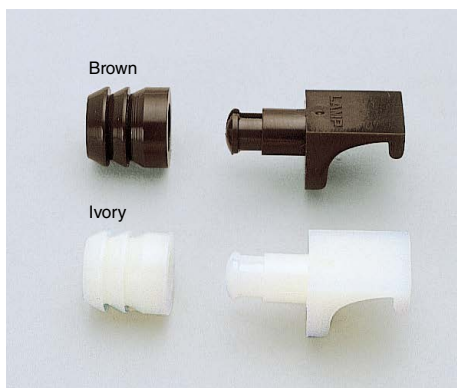
Remarks
Dowel: 1 pack includes 1,000 pieces
Catch: 1 pack includes 2,000 pieces

Item Code	Item Name	Material	Colour	Load Capacity		Weight	Box	Carton
120-038-202	SS-320IM-P1000 (Dowel)	ABS	Ivory	98 N/4 pcs	10 kgf/4 pcs	0.6 g	1 pack	20 packs
120-038-203	SS-320IW-P2000 (Catch)	ABS	Ivory	98 N/4 pcs	10 kgf/4 pcs	0.2 g	1 pack	20 packs
120-038-200	SS-320BRM-P1000 (Dowel)	ABS	Brown	98 N/4 pcs	10 kgf/4 pcs	0.6 g	1 pack	20 packs
120-038-201	SS-320BRW-P2000 (Catch)	ABS	Brown	98 N/4 pcs	10 kgf/4 pcs	0.2 g	1 pack	20 packs

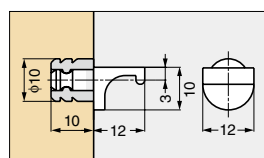
DOWEL

TEST METHOD 9

SS-321



Installation



Features
• One touch easy detachment
Recommended Mounting Hole
φ10

Remarks
Dowel: 1 pack includes 500 pieces
Catch: 1 pack includes 1,000 pieces

Item Code	Item Name	Material	Colour	Load Capacity		Weight	Box	Carton
120-038-206	SS-321IM-P500 (Dowel)	ABS	Ivory	196 N/4 pcs	20 kgf/4 pcs	1.0 g	1 pack	20 packs
120-038-207	SS-321IW-P1000 (Catch)	ABS	Ivory	196 N/4 pcs	20 kgf/4 pcs	0.4 g	1 pack	20 packs
120-038-204	SS-321BRM-P500 (Dowel)	ABS	Brown	196 N/4 pcs	20 kgf/4 pcs	1.0 g	1 pack	20 packs
120-038-205	SS-321BRW-P1000 (Catch)	ABS	Brown	196 N/4 pcs	20 kgf/4 pcs	0.4 g	1 pack	20 packs

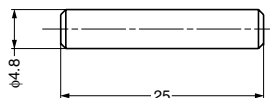
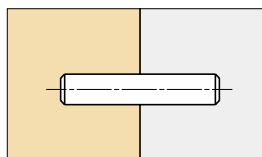
DOWEL

TEST METHOD 9

SS-313



Installation



Remarks

The value of load capacity is based on 12.5 mm depth mounting hole.

Recommended Mounting Hole

$\phi 5$

Remarks

1 pack includes 800 pieces

Item Code	Item Name	Material	Finish	Load Capacity		Weight	Box	Carton
120-038-199	SS-313-P800	Steel	Nickel	196 N/4 pcs	20 kgf/4 pcs	3.5 g	1 pack	5 packs

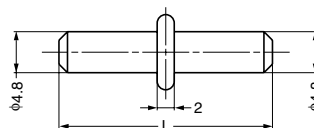
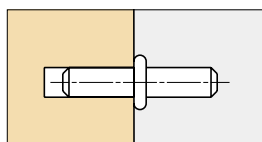
DOWEL

TEST METHOD 9

SS-312



Installation



Recommended Mounting Hole

$\phi 5$

Remarks

1 pack includes 500 pieces

Item Code	Item Name	Material	Finish	L	Load Capacity		Weight	Box	Carton
120-038-197	SS-312-18-P500	Steel	Nickel	18	196 N/4 pcs	20 kgf/4 pcs	3 g	1 pack	10 packs
120-038-198	SS-312-25-P500	Steel	Nickel	25	245 N/4 pcs	25 kgf/4 pcs	4 g	1 pack	10 packs

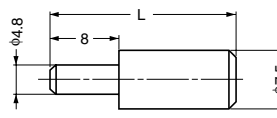
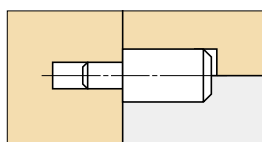
DOWEL

TEST METHOD 9

SS-310



Installation



Recommended Mounting Hole

$\phi 5$

Remarks

1 pack includes 500 pieces

Item Code	Item Name	Material	Finish	L	Load Capacity		Weight	Box	Carton
120-038-195	SS-310-18-P500	Steel	Nickel	18	147 N/4 pcs	15 kgf/4 pcs	5 g	1 pack	10 packs
120-038-196	SS-310-23-P500	Steel	Nickel	23	147 N/4 pcs	15 kgf/4 pcs	6 g	1 pack	10 packs

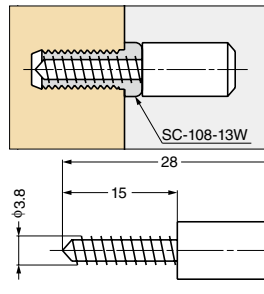
DOWEL

TEST METHOD 9

SS-311



Installation



Remarks

The description of load capacity is when used with SC-108-13W.

Sold Separately

SC-108-13W (P.191)

Item Code	Item Name	Material	Finish	Load Capacity	Weight	Box	Carton
120-041-400	SS-311	Steel	Nickel	196 N/4 pcs 20 kgf/4 pcs	5.1 g	500 pcs	2500 pcs

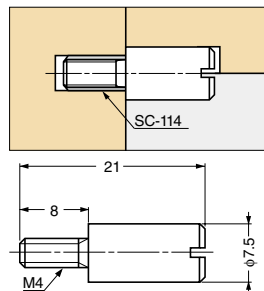
DOWEL

TEST METHOD 9

SS-309



Installation



Remarks

The description of load capacity is when used with SC-114.

Sold Separately

SC-114 (P.191)

Item Code	Item Name	Material	Finish	Load Capacity	Weight	Box	Carton
120-041-332	SS-309	Steel	Nickel	245 N/4 pcs 25 kgf/4 pcs	5 g	500 pcs	5000 pcs

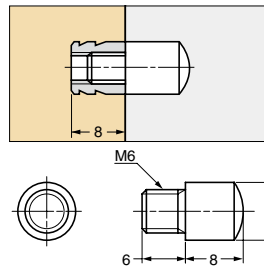
DOWEL

TEST METHOD 9

SS-319



Installation



Recommended Mounting Hole

φ8

Item Code	Item Name	Material	Finish	Load Capacity	Weight	Box
120-041-338	SS-319M (Dowel)	Brass	Nickel	196 N/4 pcs 20 kgf/4 pcs	5.6 g	500 pcs
120-041-339	SS-319W (Catch)	Brass	Nickel	196 N/4 pcs 20 kgf/4 pcs	5.6 g	1000 pcs

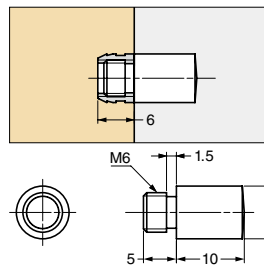
DOWEL

TEST METHOD 9

SS-108



Installation



Recommended Mounting Hole

φ8

Item Code	Item Name	Material	Finish	Load Capacity	Weight	Box
120-049-341	SS-108M (Dowel)	Brass	Bronze	196 N/4 pcs 20 kgf/4 pcs	5.5 g	500 pcs
120-049-342	SS-108W (Catch)	Brass	Bronze	196 N/4 pcs 20 kgf/4 pcs	5.5 g	1000 pcs

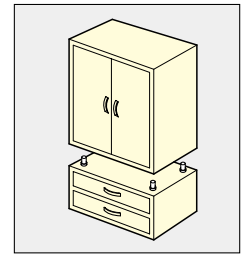
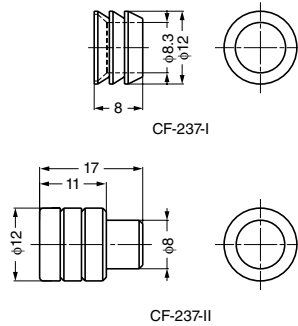
DOWEL

CF-237



Features

- Works ideally with position setting for clothes drawers. CF-237-II (male) has a built in spring, giving it an elasticity that makes it easy to connect.



Item Code	Item Name	Part Name	Material	Finish	Weight	Box	Carton
120-041-118	CF-237	CF-237-I, CF-237-II	Brass	Plain	9 g	100 sets	1000 sets

LIGHT LOAD CONNECTOR

CF-235

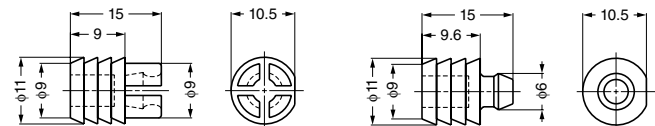
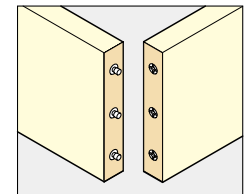


Features

- Works as an alternative to nails, allowing for a one touch simple solution as a connector
- Hooking section is not visible from outside
- Great solution for quick assembly/disassembly furniture

Remarks

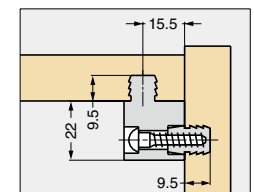
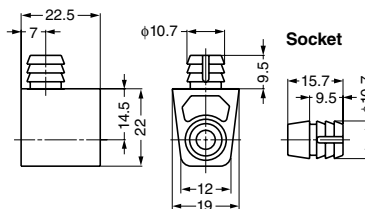
1 pack contains 500 pieces



Item Code	Item Name	Material	Colour	Weight	Box	Carton
120-038-065	CF-235N-P500	Polyamide (PA)	White	2 g	1 pack	10 packs
120-038-064	CF-235G-P500	Polyacetal (POM)	White	2 g	1 pack	10 packs

CORNER FASTENERS

CF-215

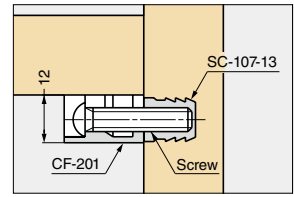
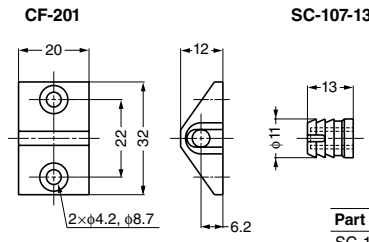


Part Name	Material	Finish/Colour	Size
Socket	Polyamide (PA)	White	5.6x15.7
Screw	Steel	Yellow Zinc Chromate	5.6x23

Item Code	Item Name	Material	Colour	Weight	Box	Carton
120-041-110	CF-215	Polyamide (PA)	White	12 g	100 sets	1000 sets

CORNER FASTENERS

CF-201

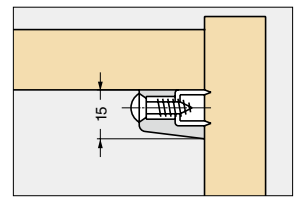
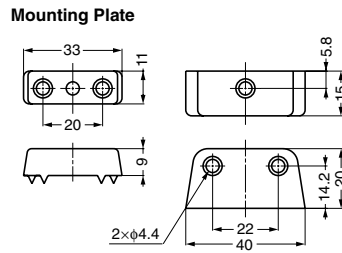


Part Name	Material	Finish/Colour	Size
SC-107-13	Polyamide (PA)	White	M6
Screw	Steel	Yellow Zinc Chromate	M6x25

Item Code	Item Name	Material	Colour	Weight	Box	Carton
120-041-130	CF-201W	Polyamide (PA)	White	10.5 g	100 sets	1000 sets
120-041-101	CF-201BR	Polyamide (PA)	Brown	10.5 g	100 sets	1000 sets

CORNER FASTENERS

CF-203

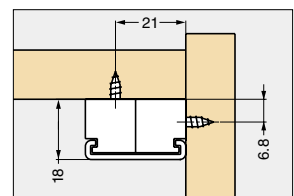
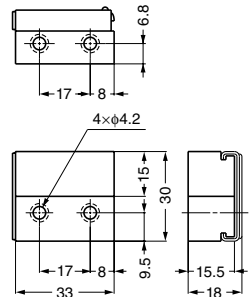
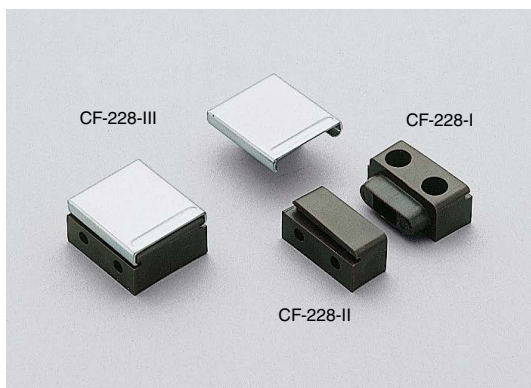


Part Name	Material	Finish	Size
Screw	Steel	Clear Zinc Chromate	5.5x19
Mounting Plate	Steel	Yellow Zinc Chromate	-

Item Code	Item Name	Material	Colour	Weight	Box	Carton
120-041-104	CF-203W	Polystyrene (PS)	White	14 g	80 sets	320 sets
120-041-105	CF-203BR	Polystyrene (PS)	Brown	14 g	80 sets	320 sets

CORNER FASTENERS

CF-228

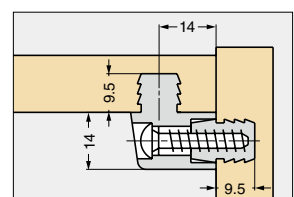
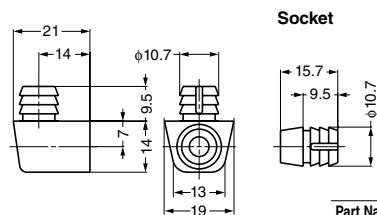


Part Name	Material	Finish/Colour
CF-228-I	Polystyrene (PS)	Brown
CF-228-II	Polystyrene (PS)	Brown
CF-228-III	Steel	Nickel

Item Code	Item Name	Weight	Box	Carton
120-041-116	CF-228	24 g	50 sets	500 sets

CORNER FASTENERS

CF-213



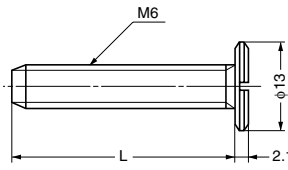
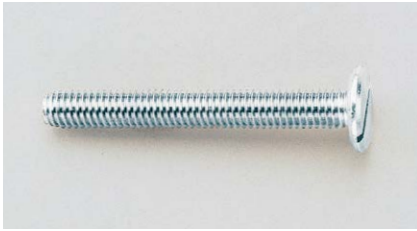
Part Name	Material	Finish/Colour	Size
Socket	Polyamide (PA)	White	5.6x15.7
Screw	Steel	Yellow Zinc Chromate	Bronze 5.6x23

Item Code	Item Name	Material	Colour	Weight	Box	Carton
120-041-108	CF-213W	Polyamide (PA)	White	10 g	100 sets	1000 sets
120-041-109	CF-213BR	Polyamide (PA)	Brown	10 g	100 sets	1000 sets

Please refer to P.180

CONNECTOR SYSTEM

CS-401

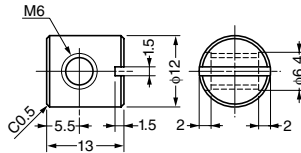


Sold Separately
Cap CS-492 (P.181).

Item Code	Item Name	Material	Finish	L	Weight	Carton
120-040-537	CS-401-26	Steel	Yellow Zinc Chromate	26	6.2 g	3500 pcs
120-040-535	CS-401-40	Steel	Yellow Zinc Chromate	40	8.6 g	2500 pcs
120-040-539	CS-401-54	Steel	Yellow Zinc Chromate	54	11.0 g	1500 pcs

CONNECTOR SYSTEM

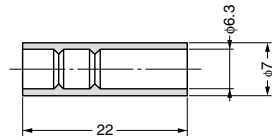
CS-465



Item Code	Item Name	Material	Finish	Weight	Box	Carton
120-041-029	CS-465	Zinc Alloy (ZDC)	Nickel	6.9 g	250 pcs	2000 pcs

CONNECTOR SYSTEM

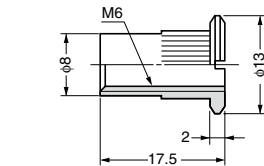
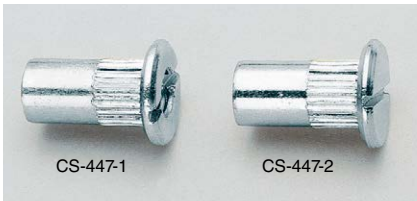
CS-481



Item Code	Item Name	Material	Color	Weight	Box	Carton
120-041-031	CS-481	Polyethylene (PE)	White	0.28 g	1000 pcs	10000 pcs

CONNECTOR SYSTEM

CS-447



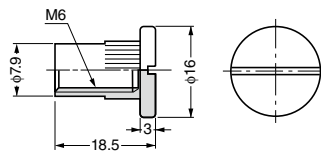
Features
 • CS-447-1 : Screw hole is pierced.
 • CS-447-2 : Screw hole is not pierced.

Sold Separately
 CS-492 (P.181)

Item Code	Item Name	Material	Finish	Weight	Box	Carton
120-040-530	CS-447-1	Steel	Yellow Zinc Chromate	4.3 g	400 pcs	4000 pcs
120-040-531	CS-447-2	Steel	Yellow Zinc Chromate	4.9 g	400 pcs	4000 pcs

CONNECTOR SYSTEM

CS-448



Item Code	Item Name	Material	Finish	Weight	Box	Carton
120-041-027	CS-448	Steel	Nickel	7.2 g	300 pcs	3000 pcs

ANCHOR

Made To Order

SC-127



Remarks
 Made to order with a minimum order of 5 cartons.

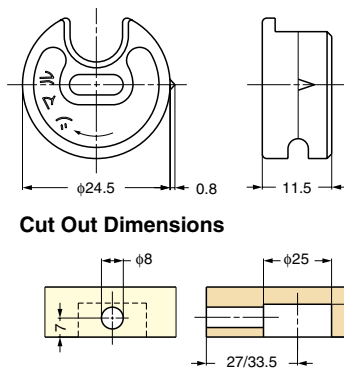
Item Code	Item Name	Material	Finish	Screw	C	H	Weight	Carton
-	SC-127-8	Zinc Alloy (ZDC)	Yellow Zinc Chromate	M6	11	8	1.7 g	10000 pcs
-	SC-127-10B	Zinc Alloy (ZDC)	Yellow Zinc Chromate	M5	9	10	1.5 g	10000 pcs
-	*SC-127-10B6	Zinc Alloy (ZDC)	Yellow Zinc Chromate	M5	9.5	10	1.6 g	10000 pcs
-	SC-127-13C	Zinc Alloy (ZDC)	Yellow Zinc Chromate	M6	11	13	2.8 g	6000 pcs
-	*SC-127-13C6	Zinc Alloy (ZDC)	Yellow Zinc Chromate	M6	11	13	2.9 g	6000 pcs
-	SC-127-13E	Zinc Alloy (ZDC)	Yellow Zinc Chromate	M8	13	13	3.8 g	4000 pcs
-	*SC-127-13E6	Zinc Alloy (ZDC)	Yellow Zinc Chromate	M8	13.5	13	4.5 g	4000 pcs
-	SC-127-20E	Zinc Alloy (ZDC)	Yellow Zinc Chromate	M8	13	20	5.7 g	2500 pcs
-	#SC-127-20G	Zinc Alloy (ZDC)	Yellow Zinc Chromate	M10	15	20	6.7 g	1800 pcs
-	SC-127-25	Zinc Alloy (ZDC)	Yellow Zinc Chromate	M8	14	25	3.9 g	1800 pcs

*For Hex nut #Flanged type.

BRACKETS & SHELVING SYSTEM
CONNECTOR SYSTEM

SHELF CLAMP

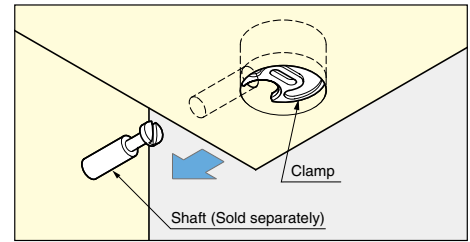
KD-703



Sold Separately

- Shafts (Below).
- Cover, KD-752 (Below).

Installation Example



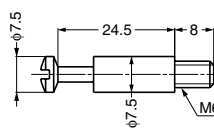
Item Code	Item Name	Material	Finish	Weight	Box	Carton
120-041-037	KD-703	Zinc Alloy (ZDC)	Plain	11.6 g	200 pcs	2000 pcs

SHAFT FOR SHELF CLAMP

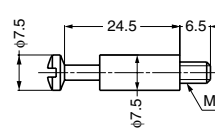
KD-601



KD-601-245C (M6)



KD-601-245A (M4)



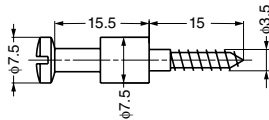
Features

For KD-703.

Item Code	Item Name	Screw	Material	Finish	Weight	Box	Carton
120-041-048	KD-601-245C	M6	Steel	Yellow Zinc Chromate	8.5 g	300 pcs	3000 pcs
120-041-049	KD-601-245A	M4	Steel	Yellow Zinc Chromate	8.5 g	300 pcs	3000 pcs

SHAFT FOR SHELF CLAMP

KD-622-155



Features

For KD-703.

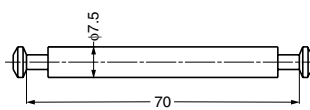
Sold Separately

Insert screw SC-108-W (P.191), SC-110-W (P.191).

Item Code	Item Name	Material	Finish	Weight	Box	Carton
120-041-091	KD-622-155	Steel	Yellow Zinc Chromate	5.1 g	400 pcs	2000 pcs

SHAFT FOR SHELF CLAMP

KD-681-70



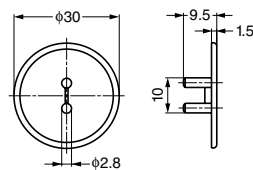
Features

For KD-703.

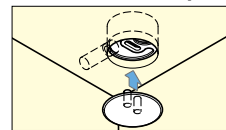
Item Code	Item Name	Material	Finish	Weight	Box	Carton
120-041-039	KD-681-70	Steel	Yellow Zinc Chromate	23.3 g	100 pcs	500 pcs

COVER FOR KD-703

KD-752



Installation Example



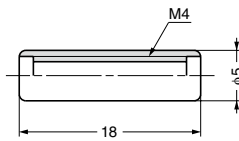
Features

For KD-703.

Item Code	Item Name	Material	Colour	Weight	Box	Carton
120-041-040	KD-752W	Polypropylene (PP)	White	0.56 g	500 pcs	10000 pcs
120-041-056	KD-752C	Polypropylene (PP)	Cream	0.56 g	500 pcs	10000 pcs
120-041-041	KD-752BR	Polypropylene (PP)	Brown	0.56 g	500 pcs	10000 pcs
120-041-055	KD-752B	Polypropylene (PP)	Black	0.56 g	500 pcs	10000 pcs
120-041-036	KD-752I	Polypropylene (PP)	Ivory	0.56 g	500 pcs	10000 pcs

BUSHING

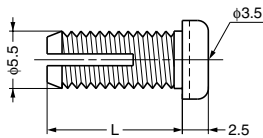
SC-121-18



Item Code	Item Name	Material	Finish	Weight	Box	Carton
120-041-308	SC-121-18	Brass	Plain	1.3 g	2500 pcs	10000 pcs

BUSHING

SC-108



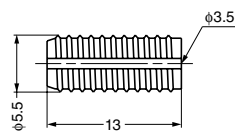
Remarks

1 pack includes 2,000 pieces

Item Code	Item Name	Material	Colour	L	Weight	Box	Carton
120-038-169	SC-108-95W-P2000	Polyamide (PA)	White	9.5	0.2 g	1 pack	10 packs
120-038-168	SC-108-13W-P2000	Polyamide (PA)	White	13	0.2 g	1 pack	10 packs

BUSHING

SC-110-W



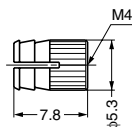
Remarks

1 pack includes 2,000 pieces

Item Code	Item Name	Material	Colour	Weight	Box	Carton
120-038-170	SC-110-W-P2000	Polyamide (PA)	White	0.2 g	1 pack	10 packs

INSERT SCREW

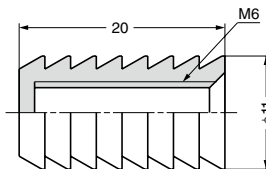
SC-114



Item Code	Item Name	Material	Finish	Weight	Box	Carton
120-041-319	SC-114	Brass	Plain	0.6 g	5000 pcs	20000 pcs

INSERT SCREW

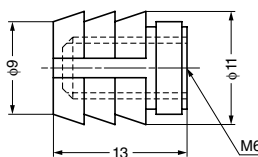
SC-106



Item Code	Item Name	Material	Colour	Weight	Box	Carton
120-041-313	SC-106	Polyacetal (POM)	White	1.5 g	500 pcs	10000 pcs

INSERT SCREW

SC-107-13



Item Code	Item Name	Material	Colour	Weight	Box	Carton
120-041-310	SC-107-13	Polyamide (PA)	White	0.8 g	1000 pcs	10000 pcs

CONNECTING PART

4063A



Features

- Can be installed on many different materials including particle board, plastic, veneer and plywood.
- Useful for installation to thin surfaces like cupboards, product shelves and shelves.
- Special shoulder screw (sold separately) holds joint firmly and prevents slipping.

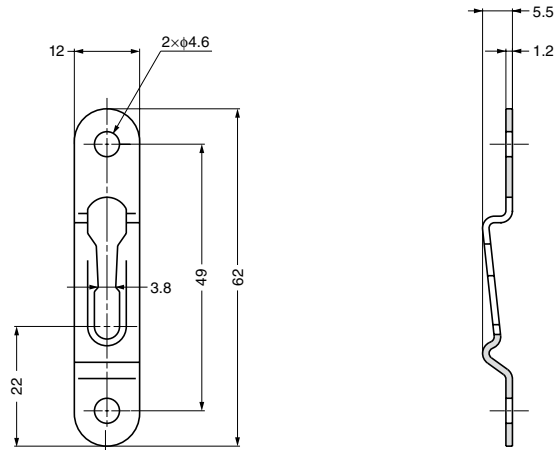
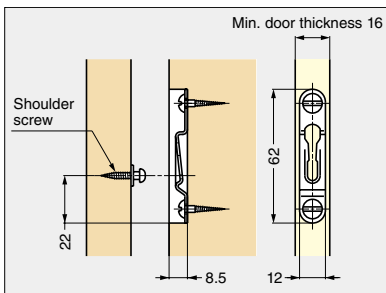
Sold Separately

Shoulder screw (P.193)

Remarks

1 pack includes 350 pieces

Installation



Item Code	Item Name	Material	Finish	Weight	Box	Carton
120-033-281	4063A-P350	Steel	Yellow Zinc Chromate	5.2 g	1 pack	10 packs

CONNECTING PART

5063



Features

- Strong clip that is highly resistant to distortion and warping.
- Easy to attach and detach clip using special should screw (sold separately).

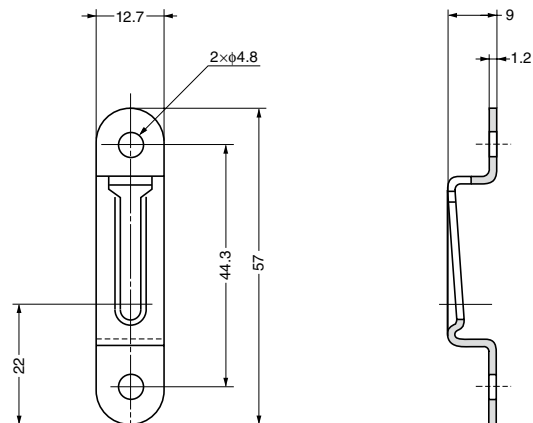
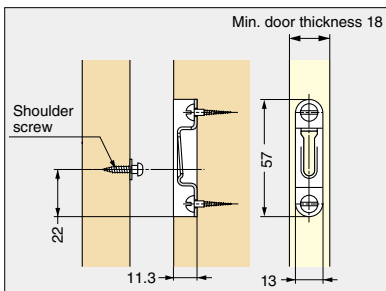
Sold Separately

Shoulder screw (P.193)

Remarks

1 pack includes 300 pieces

Installation



Item Code	Item Name	Material	Finish	Weight	Box	Carton
120-038-032	5063-P300	Steel	Black	5.9 g	1 pack	6 packs

CONNECTING PART

6063



Features

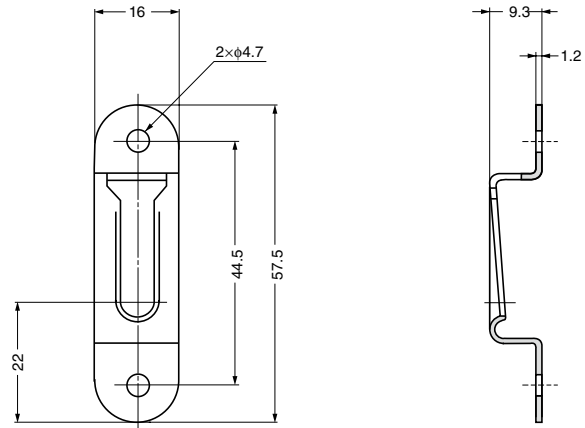
- Developed for use with thicker surfaces, not only for furniture but also small garage sheds and bungalows.
- Easy to attach and detach clip using special should screw (sold separately).

Sold Separately

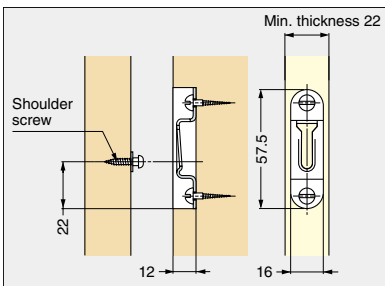
Shoulder screw (below)

Remarks

1 pack includes 250 pieces



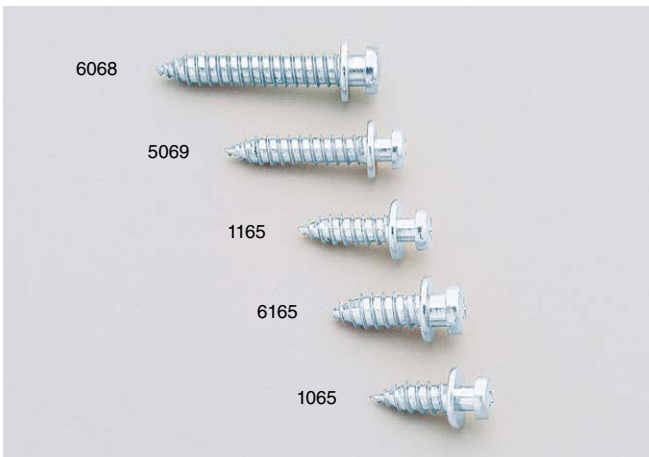
Installation



Item Code	Item Name	Material	Finish	Weight	Box	Carton
120-038-034	6063-P250	Steel	Yellow Zinc Chromate	7.7 g	1 pack	10 packs

SHOULDER SCREW

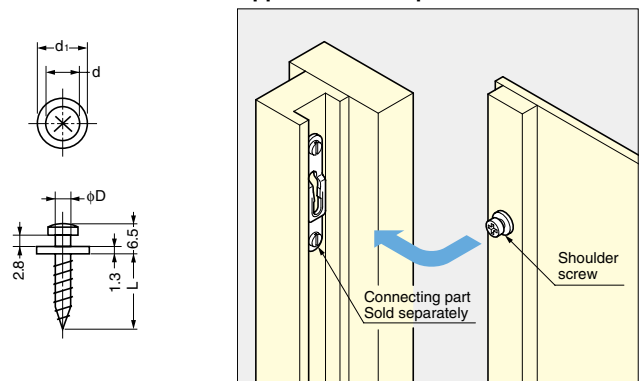
10, 11, 50, 60, 61



Remarks

- 1065 Type: 1 pack includes 800 pieces
- 1165 Type: 1 pack includes 600 pieces
- 5069 Type: 1 pack includes 500 pieces
- 6165 Type: 1 pack includes 500 pieces
- 6068 Type: 1 pack includes 250 pieces

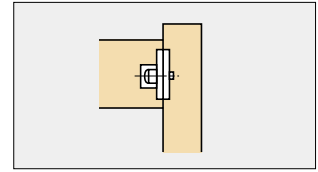
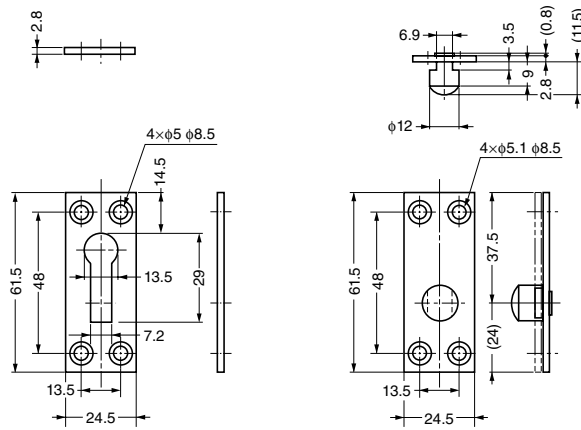
Application Example



Item Code	Item Name	Suitable Connecting Part	Material	Finish	L	D	d	d ₁	Nominal Size	Weight	Box	Carton
120-038-021	1065-P800	4063A/5063	Steel	Yellow Zinc Chromate	13	4	7	10	5.5	2.8 g	1 pack	10 packs
120-038-022	1165-P600	4063A/5063	Steel	Yellow Zinc Chromate	16	4	7	10	5.5	3.2 g	1 pack	10 packs
120-038-033	5069-P500	4063A/5063	Steel	Yellow Zinc Chromate	25.5	4	7	10	5.5	4 g	1 pack	10 packs
120-038-036	6165-P500	6063	Steel	Yellow Zinc Chromate	16	5.5	8.3	11	6.3	4.4 g	1 pack	10 packs
120-038-035	6068-P250	6063	Steel	Yellow Zinc Chromate	32	5.5	8.3	11	6.3	7 g	1 pack	10 packs

CONNECTING PART

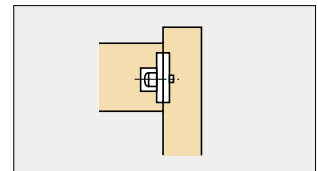
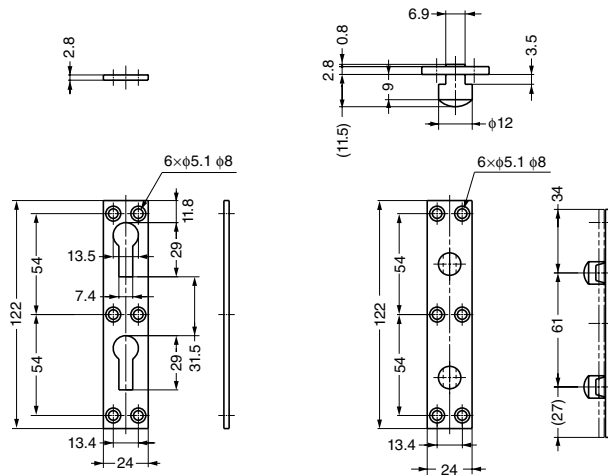
BF-842S



Item Code	Item Name	Material	Finish	Weight	Box	Carton
120-040-741	BF-842S	Steel	Clear Zinc Chromate	61.4 g	20 sets	400 sets

CONNECTING PART

BF-842W



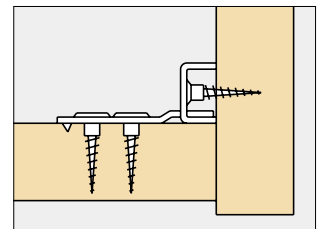
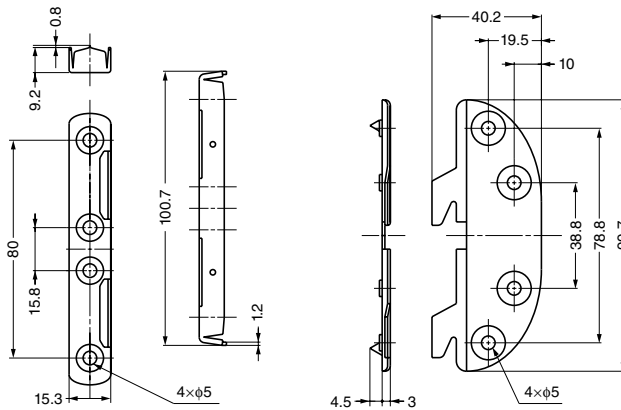
Item Code	Item Name	Material	Finish	Weight	Box	Carton
120-041-259	BF-842W	Steel	Clear Zinc Chromate	126 g	20 sets	200 sets

CONNECTING PART

BF-803



BF-8031

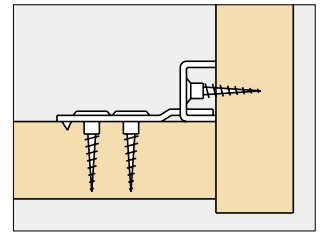
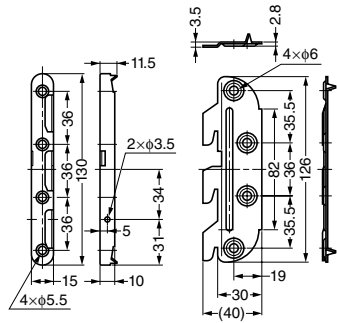


The drawing shows BF-8031: a mirror-image of BF-8032.

Item Code	Item Name	Material	Finish	Weight	Box	Carton
120-041-260	BF-8031	Steel	Yellow Zinc Chromate	52.4 g	50 sets	450 sets
120-041-261	BF-8032	Steel	Yellow Zinc Chromate	52.4 g	50 sets	450 sets

CONNECTING PART

BF-806

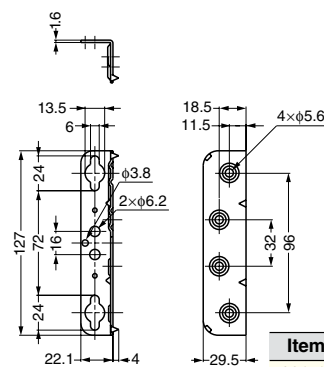


The drawing shows BF-8061: a mirror-image of BF-8062.

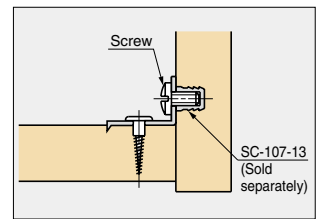
Item Code	Item Name	Material	Finish	Weight	Box	Carton
120-041-262	BF-8061	Steel	Yellow Zinc Chromate	72.5 g	30 sets	270 sets
120-041-263	BF-8062	Steel	Yellow Zinc Chromate	72.5 g	30 sets	270 sets

CONNECTING PART

BF-810



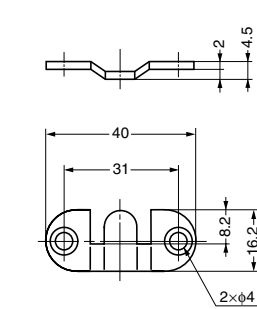
Sold Separately
SC-107-13 (P.191)
Recommended Screw
Tapping screw M6×10



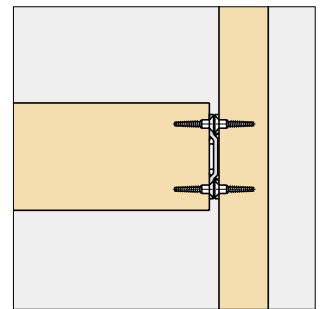
Item Code	Item Name	Material	Finish	Weight	Box	Carton
120-041-264	BF-810	Steel	Yellow Zinc Chromate	69.3 g	50 pcs	500 pcs

CONNECTING PART

BF-857



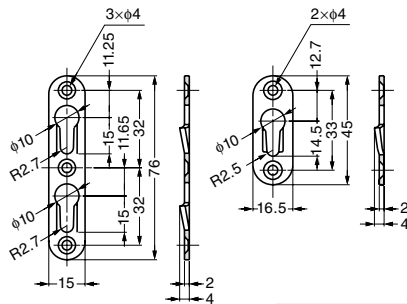
Remarks
Please use 2 pcs as a set.
1 pack includes 500 pieces



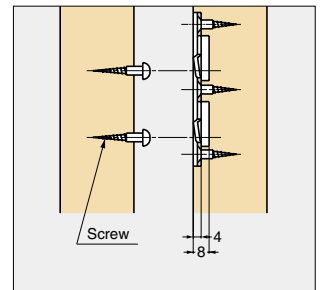
Item Code	Item Name	Material	Finish	Weight	Box	Carton
120-038-037	BF-857-P500	Steel	Yellow Zinc Chromate	7.4 g	1 pack	4 packs

CONNECTING PART

BF-K



Remarks
1 pack includes 20 pieces



Item Code	Item Name	Material	Finish	Weight	Box	Carton
120-038-039	BF-KW-P20	Steel	Clear Zinc Chromate	10.1 g	10 packs	100 packs
120-038-038	BF-KS-P20	Steel	Clear Zinc Chromate	6.8 g	10 packs	200 packs

BRACKETS & SHELVING SYSTEM

CONNECTING PART

Zwei L GLASS SHELF CLAMP



ZL-2202

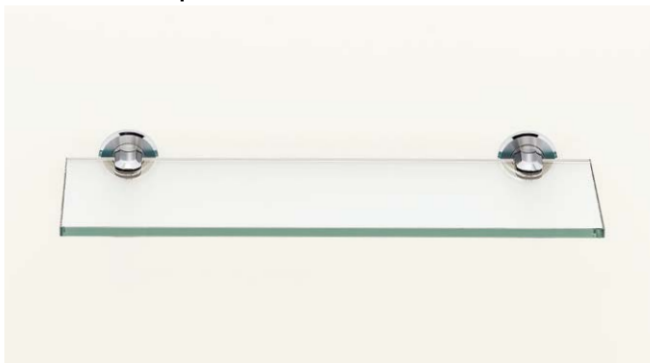
BRACKETS & SHELVING SYSTEM

FOR GLASS

GLASS SHELF CLAMP



Installation Example



Features

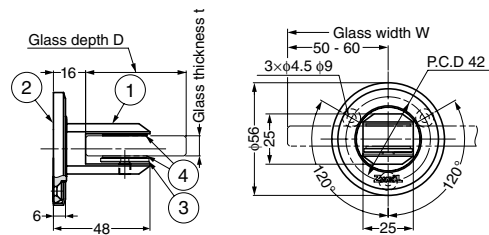
- Made of highly corrosion resistant SUS316
- Ultrapremium Zwei L finish. Zwei L finish: Using top class polishing technology, these products combine the elegance of Satin with the deep glow of a Mirror.
- Designed so that installation screw is not visible after installation

Remarks

- Glass thickness : 8 mm or 10 mm.
- Sold by piece.

Parts Included

- Allen key 2.5
- Countersunk head wood screw 4.1×32
- Plug



No.	Part Name	Material	Finish/Colour
①	Clamp	Stainless Steel (SUS316)	Zwei L Finish
②	Base Plate	Stainless Steel (SUS316)	Zwei L Finish
③	Bumper Plate	Stainless Steel (SUS316)	Zwei L Finish
④	Bumper	Rubber	Black

Item Code	Item Name	Glass Size / 2 pcs			Weight	Box
		t	D	W		
120-031-003	ZL-2202	8 or 10	Max. 160	Max. 480	480 g	2 pcs

Zwei L GLASS SHELF CLAMP



ZL-2203



Installation Example



Features

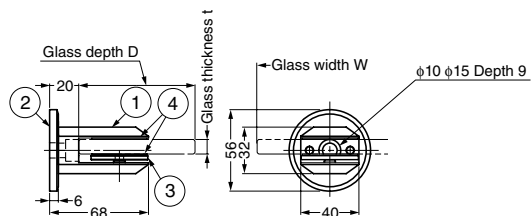
- Made of highly corrosion resistant SUS316
- Ultrapremium Zwei L finish. Zwei L finish: Using top class polishing technology, these products combine the elegance of Satin with the deep glow of a Mirror.
- Designed so that installation screw is not visible after installation

Remarks

- Glass thickness : 8 mm or 10 mm.
- Sold by piece.

Parts Included

- Allen key 6
- Countersunk head wood screw M8×60
- Plug



No.	Part Name	Material	Finish/Colour
①	Clamp	Stainless Steel (SUS316)	Zwei L Finish
②	Base Plate	Stainless Steel (SUS316)	Zwei L Finish
③	Bumper Plate	Stainless Steel (SUS316)	Zwei L Finish
④	Bumper	Rubber	Black

Item Code	Item Name	Glass Size / 2 pcs			Weight	Box
		t	D	W		
120-031-004	ZL-2203	8 or 10	Max. 240	Max. 640	495 g	1 pc

Zwei L GLASS SHELF CLAMP



ZL-2201



Features

- Made of highly corrosion resistant SUS316
- Ultrapremium Zwei L finish. Zwei L finish: Using top class polishing technology, these products combine the elegance of Satin with the deep glow of a Mirror.
- Comes with a lever adjuster to do fine adjustments and make sure the glass is level
- Designed to hold glass firmly
- Designed so that installation screw is not visible after installation

Remarks

- Glass thickness : 8 mm or 10 mm.
- Pilot hole $\phi 14$
- Sold by piece.

Parts Included

- Allen key 6
- Hexagon top bolt M8x55
- Plug M8

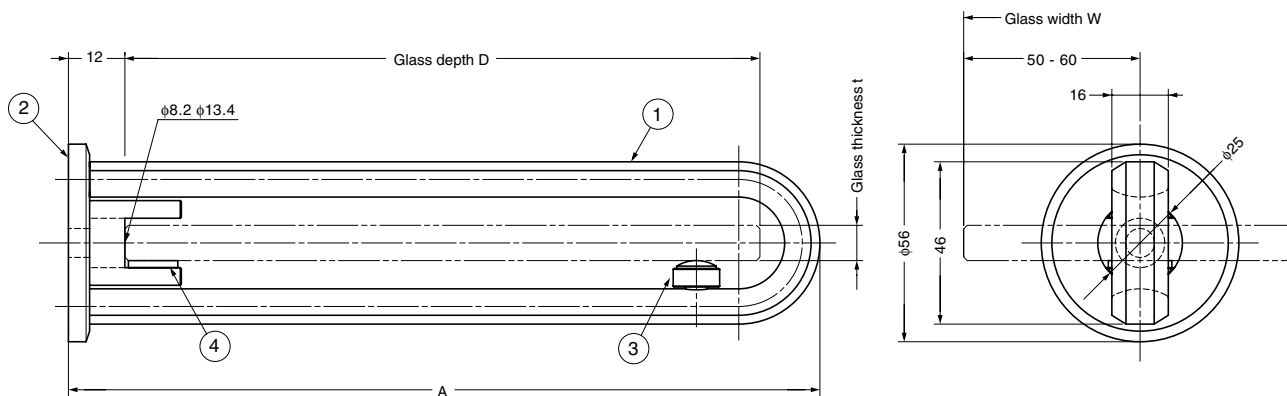
Installation Example



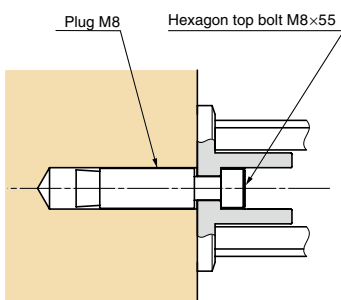
BRACKETS & SHELVING SYSTEM

FOR GLASS

GLASS SHELF CLAMP



Installation



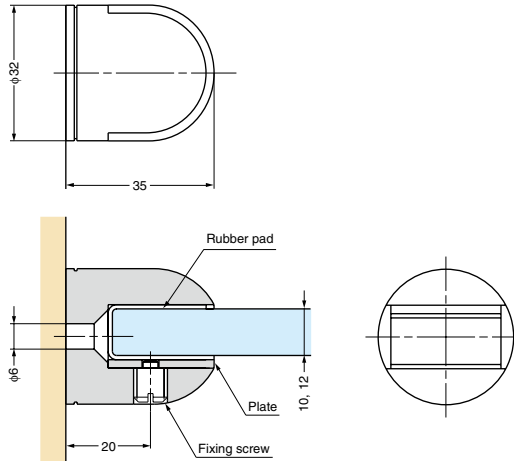
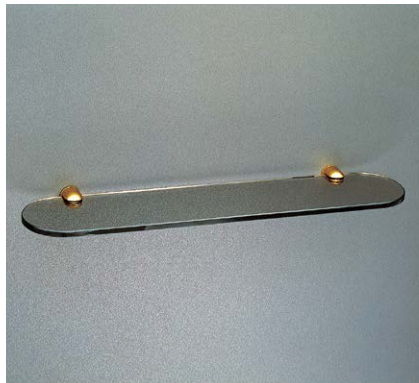
No.	Part Name	Material	Finish/Colour
①	Arm	Stainless Steel (SUS316)	Zwei L Finish
②	Mounting Plate	Stainless Steel (SUS316)	Zwei L Finish
③	Level Adjuster	Stainless Steel (SUS316) / Polyurethane (PUR)	Zwei L Finish/Clear
④	Bumper	Rubber	Black

Item Code	Item Name	A	Glass Size / 2 pcs			Weight	Box
			t	D	W		
120-031-000	ZL-2201-120	150	8 or 10	120	Max. 640	625 g	2 pcs
120-031-001	ZL-2201-180	210	8 or 10	180	Max. 800	625 g	2 pcs
120-031-002	ZL-2201-240	270	8 or 10	240	Max. 960	875 g	2 pcs

GLASS SHELF CLAMP



SPV-G01-GP



Features

- Pre-drilling on glass not required.
- Glass thickness : 10 mm or 12 mm.

Remarks

- Sold in pairs.
- Compatible with glass sizes up to 600mm width, 200mm depth.

Parts Included

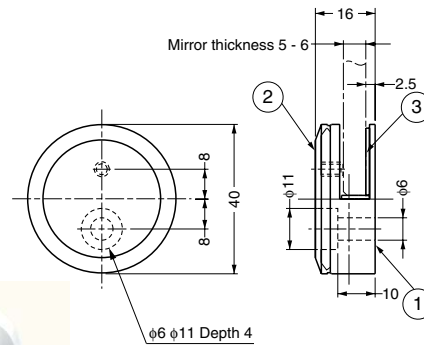
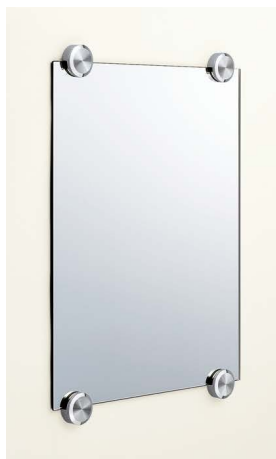
- Countersunk head wood screw 5.1x32
- Allen key

Item Code	Item Name	Glass Thickness	Material	Finish	Weight	Box	Carton
120-173-651	SPV-G01-GP	10 or 12	Brass	24K Gold	134 g	2 pcs	40 pcs

Zwei L MIRROR SUPPORT



ZL-3102-40



Features

- Made of highly corrosion resistant SUS316
- Ultrapremium Zwei L finish. Zwei L finish: Using top class polishing technology, these products combine the elegance of Satin with the deep glow of a Mirror.

Remarks

- Mirror not included.
- Sold by piece.

Parts Included

- Round head wood screw 5.1x45 (SUS)
- Wall plug
- Hex key

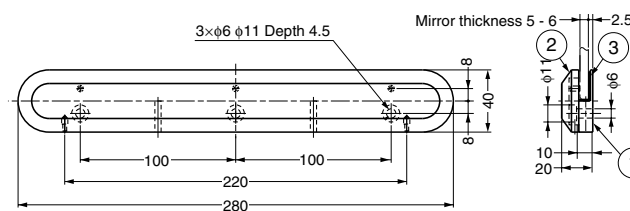
No.	Part Name	Material	Finish/Colour
①	Body	Stainless Steel (SUS316)	Zwei L Finish
②	Cover	Stainless Steel (SUS316)	Zwei L Finish
③	Bumper	Rubber	Black

Item Code	Item Name	Mirror Thickness	Weight	Box
120-031-006	ZL-3102-40	5 - 6	148 g	4 pcs

Zwei L MIRROR SUPPORT



ZL-3101-200



Features

- Made of highly corrosion resistant SUS316
- Ultrapremium Zwei L finish. Zwei L finish: Using top class polishing technology, these products combine the elegance of Satin with the deep glow of a Mirror.

Remarks

- Mirror not included.
- Sold by piece.

Parts Included

- Round head wood screw 5.1x45 (SUS)
- Wall plug
- Hex key

No.	Part Name	Material	Finish/Colour
①	Body	Stainless Steel (SUS316)	Zwei L Finish
②	Cover	Stainless Steel (SUS316)	Zwei L Finish
③	Bumper	Rubber	Black

Item Code	Item Name	Mirror Thickness	Weight	Box
120-031-005	ZL-3101-200	5 - 6	1192 g	1 pc

UNIT SHELF

Great variety of the optional parts for various spaces

- Simple design with aluminium alloy and glass.
- Great variety of fashionable and functional parts.
- Chamfered vertical frames and clamps in calm design.
- Vertical frame is made of light and strong aluminium alloy.
- Meets your requirements by combining the optional parts.

UNIT SHELF TYPE "B" (Next Page)

XLA-US02B



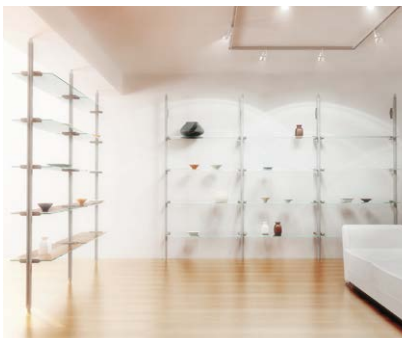
- The shelf is hanged as it is floating.
- The shelf is stable due to having it hold by the frame.
- The glass shelf is in front of the frame, making it look neat.

Optional Parts

Glass Thickness		Wood Shelf	Center Panel	Back Side Panel
8 mm	10 mm			
○	○	-	-	○

UNIT SHELF TYPE "C" (P.204)

XLA-US02C



Can also be used as partition.

Optional Parts

Glass Thickness		Wood Shelf	Center Panel	Back Side Panel
8 mm	10 mm			
○	○	○	○	-

UNIT SHELF TYPE "K" (P.207)

XLA-US02K



- The shelf is clamped from bottom on the frame.
- Can also be used for wooden shelf.

Optional Parts

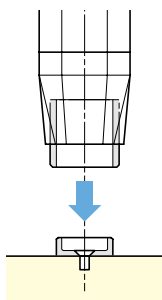
Glass Thickness		Wood Shelf	Center Panel	Back Side Panel
8 mm	10 mm			
-	○	○	○	-



Fixable on wall.



Adjustable height by using the optional parts.



Prevents the slippage by using the optional part.



Wood shelf is also installable.



Cover for groove.

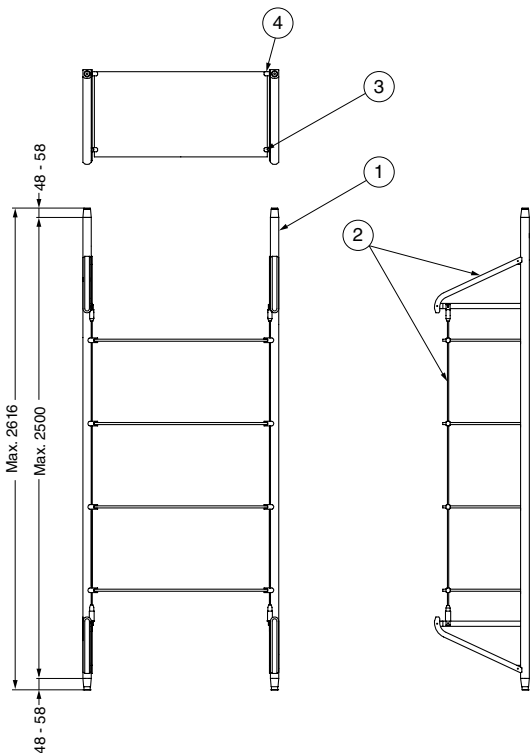
Suits various space

- Not only ceiling and floor but also fixable with wall and floor.
- Wooden shelves are also installable.
- Groove of the frame can be hidden with the original cover.

UNIT SHELF TYPE "B"

XLA-US02B

BRACKETS & SHELVING SYSTEM FOR GLASS UNIT SHELF XLA-US02B



Features

- Held in place by a rod, giving the impression that it is floating.
- Held in place firmly through the vertical frame
- Glass shelf ends go past the vertical frame giving a sleek appearance.
- Glass is secured by clamps attached to the frame, making it resistant to vibrations
- Shelf height can be adjusted freely.

Application

Showcases, displays in retail stores, walk in closets, residential interiors

Load Capacity N		294 N/Shelf
Load Capacity kgf		30 kgf/Shelf
Glass Thickness		8 or 10
Glass Width	Glass Width: 8 mm	Max. 1200
	Glass Width: 10 mm	Max. 1500
Glass Depth		400 - 450
Vertical-Frame Height		2000 - 2500

XLA-US02B Parts Set (for 1 shelf)

Item Code	Item Name (set)	Weight
130-031-021	XLA-US02B	19.8 kg

Parts Included

	Item Name	Part Name	Qty
①	XLA-US02-S006	Vertical Frame	2 sets
②	XL-US02-S011	Wire Kit	2 sets
③	XL-US01-F20	Shelf Clamp for Wire Shaft	8 pcs
④	XL-US01-B20	Shelf Clamp for Main Frame	8 pcs

Glass is not included.

Application Example



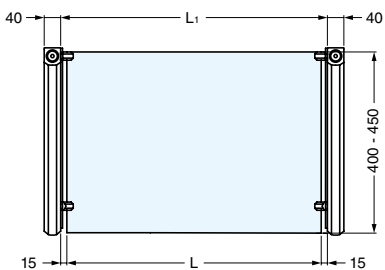
• Can be used as glass partition by installing glass panel at the back side.

BRACKETS & SHELVING SYSTEM

FOR GLASS

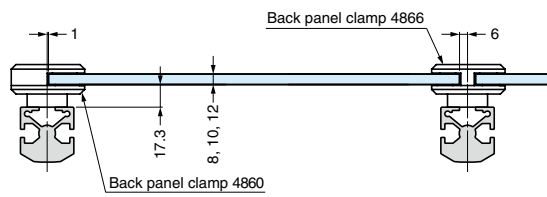
UNIT SHELF XLA-US02B

Glass Shelf Dimensions

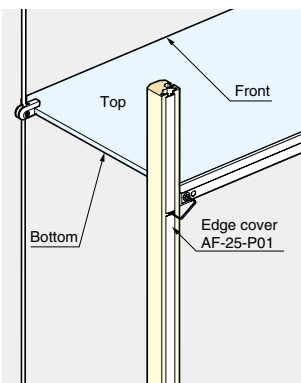


L (Glass width) = L₁ (Distance between frames) - 30

Back Panel Installation



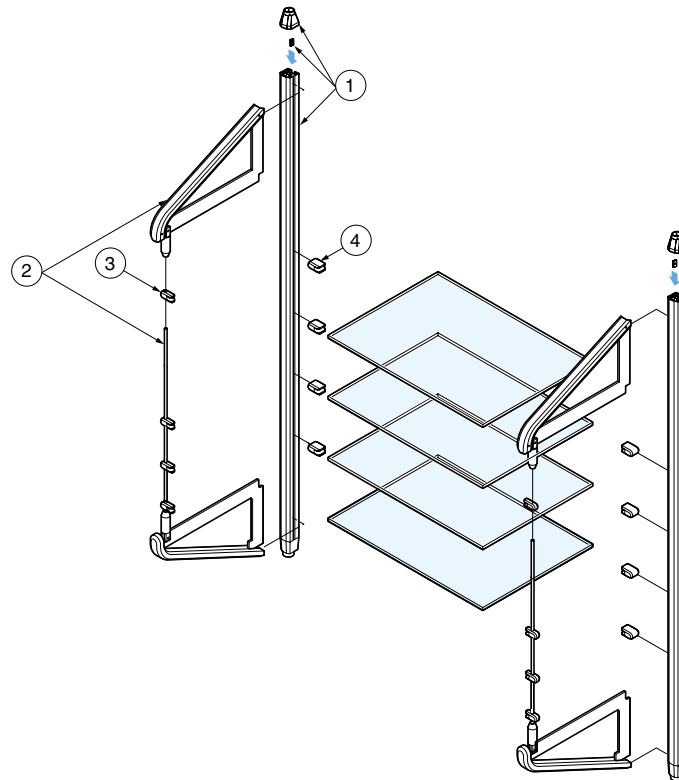
Glass Preparation (When Using LED)



- Sandblasting on top, bottom, front and sides of glass shelf with use of LED will provide the "glow" look.
- Ultra clear glass recommended.
- Edge cover AF-25-P01 covers and keeps wires inside frame slot.


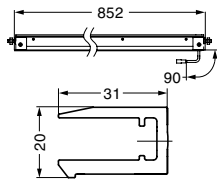

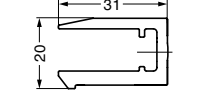
Detailed View

BRACKETS & SHELVING SYSTEM
FOR GLASS
UNIT SHELF XLA-US02B


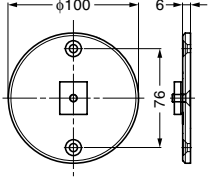

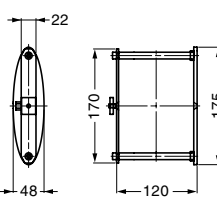

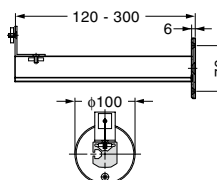

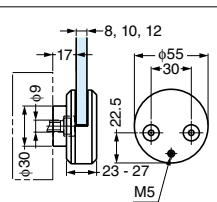

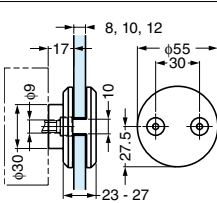

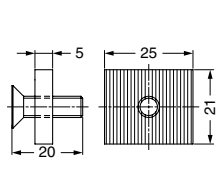

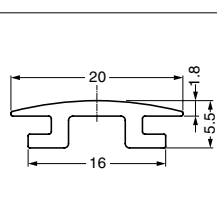


XLA-US02B Part Details

No.	Item Code	Item Name	Dimensions	Type	Qty
①	130-031-023	XLA-US02-S006 Vertical Frame (1 Slot Type)		<ul style="list-style-type: none"> Material: Aluminium, Zinc Alloy Finish / Colour: Anodized, Grey Length: Max. Height : 2600 mm (Floor to ceiling) 	1 set
②	130-018-058	XL-US02-S011-P Type B Wire Kit		<ul style="list-style-type: none"> Material: Aluminium, Steel, 430 Stainless Steel Finish / Colour: Matte Chrome *For main frame 2100 mm - 2500 mm. 	1 set
③	130-186-001	XL-US01-F20 Type B Shelf Clamp (For Wire Shaft)		<ul style="list-style-type: none"> Material: Zinc Alloy Finish / Colour: Matte Chrome *2 pcs necessary for 1 shelf. 	1 pc
④	130-186-002	XL-US01-B20 Type B Shelf Clamp (For Main Frame)		<ul style="list-style-type: none"> Material: Zinc Alloy Finish / Colour: Matte Chrome *2 pcs necessary for 1 shelf. 	1 pc

No.	Item Code	Item Name		Dimensions	Type	Qty
⑤	130-030-287	XL-US01-W900L-B	Shelf Support with Blue LED (For Main Frame 1 pc / shelf)		 <ul style="list-style-type: none"> Aluminium Zinc Alloy Width For glass width 900 mm LED Colour Blue, White Power adapter not included. *Recommended adapter Output : DC 24 V 1 A, Plug : 2.5 x 5.5 mm (+), 2 shelves per adapter Finish / Colour Matte Chrome 	1 pc
⑥	130-030-285	XL-US01-W900L-W	Shelf Support with White LED (For Main Frame 1 pc / shelf)		 <ul style="list-style-type: none"> Aluminium Zinc Alloy Width For glass width 900 mm LED Colour Blue, White Power adapter not included. *Recommended adapter Output : DC 24 V 1 A, Plug : 2.5 x 5.5 mm (+), 2 shelves per adapter Finish / Colour Matte Chrome 	1 pc

XLA-US02B Option Parts

Item Code	Item Name		Dimensions	Type	Qty
130-180-819	XL-US02-S010	Wall Mounting Plate (For Type B)		 <ul style="list-style-type: none"> Material Aluminium Finish / Colour Anodized *To be used with main frame. 	1 pc
130-188-732	XL-US02-S008	Wall Mounting Bracket		 <ul style="list-style-type: none"> Material 304 Stainless Steel, Steel Finish / Colour Grey 	1 pc
130-180-591	XL-US02-S009	Wall Mounting Bracket		 <ul style="list-style-type: none"> Material 304 Stainless Steel, Steel Finish / Colour Anodized 	1 pc
120-180-042	4860ZN1	Back Panel Clamp	 	<ul style="list-style-type: none"> Material Zinc Alloy Finish / Colour Matte Chrome (ZN1) Chrome (ZN5) Panel Thickness 8 - 12 mm *Holds panel between main frames. 	1 pc
120-180-043	4860ZN5				
120-180-044	4866ZN1	Back Panel Clamp	 	<ul style="list-style-type: none"> Material Zinc Alloy Finish / Colour Matte Chrome (ZN1) Chrome (ZN5) Panel Thickness 8 - 12 mm *Holds panel between main frames (2 slot type). 	1 pc
120-180-045	4866ZN5				
130-031-035	XL-US02-S013	Back Panel Clamp Fastener		 <ul style="list-style-type: none"> Material 304 Stainless Steel Finish / Colour Plain *Nut / Bolt to fasten back panel clamp and main frame. 	1 pc
270-940-959	AF-25-P01-25	Edge Cover		 <ul style="list-style-type: none"> Material Synthetic Rubber Finish / Colour Light Grey Length 2500 mm 	1 pc

*SCS13 is equivalent of SUS304.

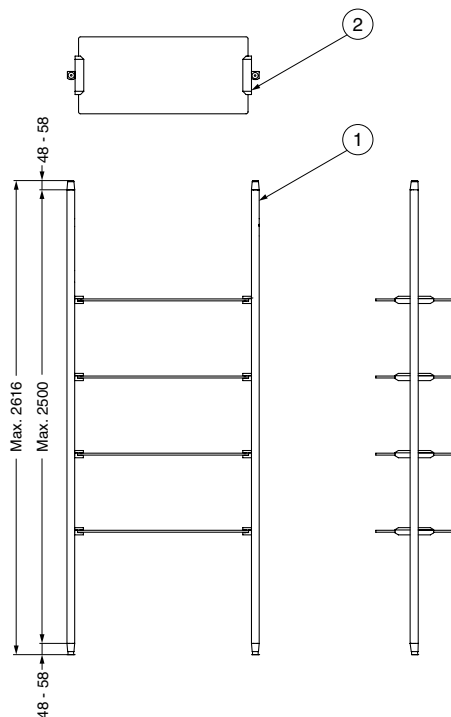
UNIT SHELF TYPE "C"

XLA-US02C

BRACKETS &
SHELVING SYSTEM

FOR GLASS

UNIT SHELF XLA-US02C



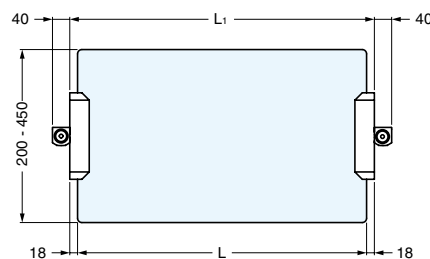
Load Capacity N		343 N/Shelf
Load Capacity kgf		35 kgf/Shelf
Glass Thickness		8 or 10
Glass Width	Glass Width: 8 mm	Max. 1200
	Glass Width: 10 mm	Max. 1500
Glass Depth		200 - 450
Vertical-Frame Height		Max. 2500

Features

- Simple and modern design
- There is no front or back to the shelves and they can be used either way can also be used as partitioning shelves.
- When placed in the middle of an interior, provides a gentle feeling to the entire area.
- In the middle of the frame are large clamps which provide a strong feeling of stability to the shelves.
- Can be used with LED type glass shelves
- Shelf height can be adjusted freely.

Application

Showcases, displays in retail stores, walk in closets, residential interiors

Glass Shelf Dimensions

$$L(\text{Glass width}) = L_1 (\text{Distance between frames}) - 36$$

XLA-US02C Parts Set (for 1 shelf)

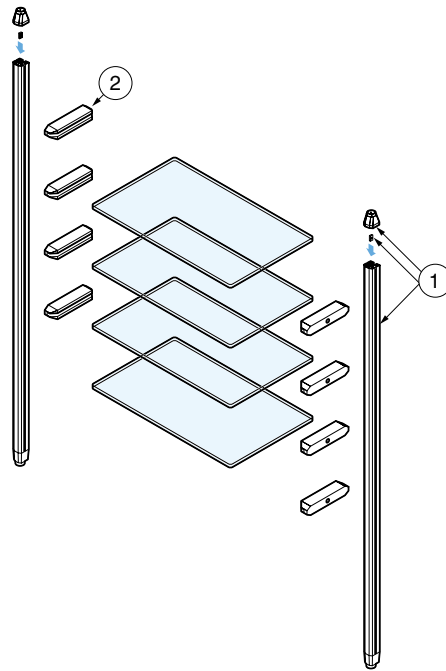
Item Code	Item Name (set)	Weight
130-031-020	XLA-US02C	15.1 kg

• Parts Included

	Item Name	Part Name	Qty
①	XLA-US02-S007	Vertical Frame	2 sets
②	XL-US01-S200	Shelf Clamp (For Glass Shelf)	8 pcs

Glass is not included.

Detailed View



XL-US02-S008



XL-US02-S009

BRACKETS & SHELVING SYSTEM

FOR GLASS

UNIT SHELF XLA-US02C


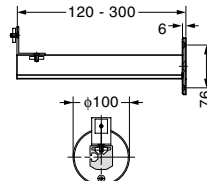

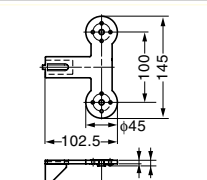

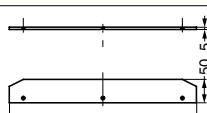

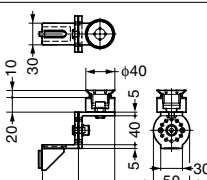


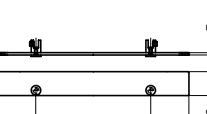
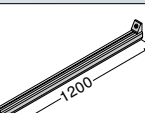
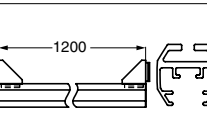
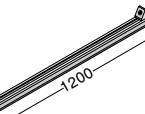
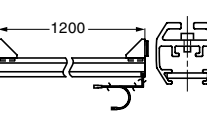

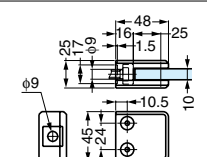

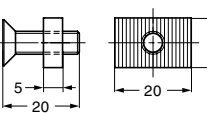

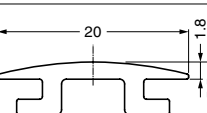
XLA-US02C Part Details

No.	Item Code	Item Name		Dimensions	Type	Qty
①	130-031-024	XLA-US02-S007	Vertical Frame (2 Slot Type)		<ul style="list-style-type: none"> Material: Aluminium, Zinc Alloy Finish / Colour: Anodized, Grey Length: Max. Height : 2600 mm (Floor to Ceiling) <p>*Single slotted frame available. Please see XLA-US02-S006 below for details.</p>	1 set
②	120-186-000	XL-US01-S200	Shelf Clamp (For Glass Shelf)		<ul style="list-style-type: none"> Material: Zinc Alloy, Elastomer Finish / Colour: Matte Chrome, Black Glass Thickness: 8 mm, 10 mm <p>*2 Clamps necessary for 1 shelf. *Glass shelf not included.</p>	1 pc

XLA-US02C Option Parts

Item Code	Item Name		Dimensions	Type	Qty
130-031-023	XLA-US02-S006	Vertical Frame (1 Slot Type)		<ul style="list-style-type: none"> Material: Aluminium, Zinc Alloy Finish / Colour: Anodized, Grey Length: Max. Height : 2600 mm (Floor to Ceiling) 	1 set
130-188-732	XL-US02-S008	Wall Mounting Bracket		<ul style="list-style-type: none"> Material: 304 Stainless Steel, Steel Finish / Colour: Grey 	1 pc

*SCS13 is equivalent of SUS304.

Item Code	Item Name		Dimensions	Type	Qty
130-180-591	XL-US02-S009	Wall Mounting Bracket	 	<ul style="list-style-type: none"> Material: 304 Stainless Steel, Steel Finish / Colour: Anodized 	1 pc
130-031-027	XL-US02-S002	Shelf Support (For Wood Shelf)	 	<ul style="list-style-type: none"> Material: Stainless Steel (SCS13) Finish / Colour: Shot Blast 	2 sets
130-180-553	XLA-US02-S014	Shelf Edge (For Wood Shelf)	 	<ul style="list-style-type: none"> Material: 304 Stainless Steel, Steel Finish / Colour: Anodized 	1 pc
130-031-028	XL-US02-S003	Shelf Support for Glass (Angle Adjustable)	 	<ul style="list-style-type: none"> Material: Stainless Steel (SCS13) Finish / Colour: Shot Blast 	2 sets
270-180-387	Z058	Adjustable Face Pin		Required to Install Shelf Support for Glass	1 pc
130-031-029	XLA-US02-S015	Shelf Edge (For Glass Shelf)	 	<ul style="list-style-type: none"> Material: Aluminium, Zinc Alloy Finish / Colour: Anodized, Matte Chrome *Prevents items from falling off. *For glass shelf. *To be mounted on front or back edge. 	1 set
130-031-030	XL-US02-S004	Hanger for Horizontal Frame	 	<ul style="list-style-type: none"> Material: Aluminium, Zinc Alloy Finish / Colour: Matte Chrome 	1 set
220-031-031	XL-US02-S004L-B	Hanger for Horizontal Frame with LED (Blue)	 	<ul style="list-style-type: none"> Material: Aluminium, Zinc Alloy Finish / Colour: Matte Chrome 	1 set
220-031-032	XL-US02-S004L-W	Hanger for Horizontal Frame with LED (Cyan)			
120-181-389	9344VA2	Centre Panel Clamp	 	<ul style="list-style-type: none"> Material: Stainless Steel SUS316 Finish / Colour: Satin 	1 pc
130-031-034	XL-US02-S012	Centre Panel Fastener	 	<ul style="list-style-type: none"> Material: Steel Parts Included: Screw (Stainless Steel) Finish / Colour: Nickel 	1 pc
270-940-959	AF-25-P01-25	Edge Cover	 	<ul style="list-style-type: none"> Material: PTE Finish / Colour: Grey 	1 pc

*SCS13 is equivalent of SUS304.

UNIT SHELF TYPE "K"

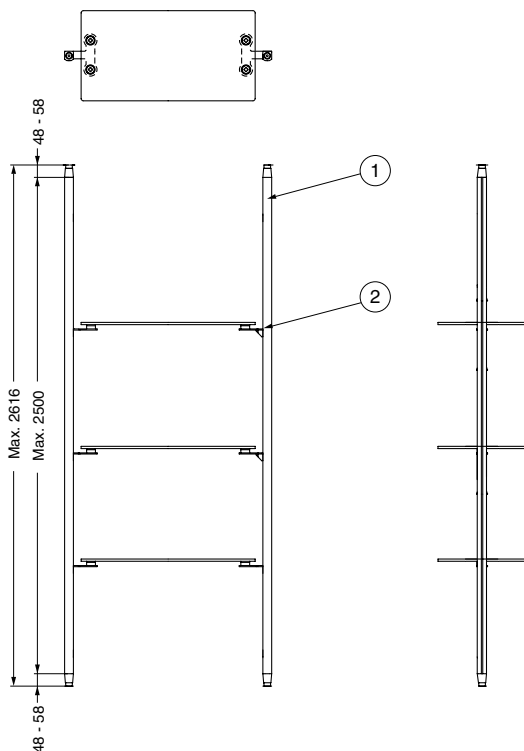
XLA-US02K



BRACKETS & SHELVING SYSTEM

FOR GLASS

UNIT SHELF XLA-US02K



Features

- The shelves support the frame for a strong feeling of stability.
- Glass lies flat and parallel on top of hardware for a clean and sleek appearance.
- Optional items (sold separately) include angle adjusters and wooden shelves.
- The shelf height can be adjusted freely even after installation

Application

Showcases, displays in retail stores, walk in closets, residential interiors

Load Capacity N	490 N/Shelf
Load Capacity kgf	50 kgf/Shelf
Glass Thickness	10
Glass Width	Max. 1200
Glass Length	Max. 450
Height & Vertical Frame	Max. 2500

XLA-US02K Parts Set (for 1 shelf)

Item Code	Item Name (set)	Weight
130-031-022	XLA-US02K	12.4 kg

• Parts Included

	Item Name	Part Name	Qty
①	XLA-US02-S007	Vertical Frame	2 sets
②	XL-US02-S001	Shelf Clamp (For Glass Shelf)	3 sets

Glass is not included.



Application Example

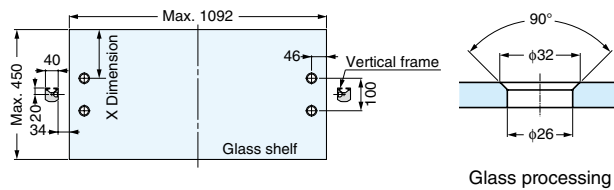


- The shelf is adjustable every 30 degrees by an optional part.

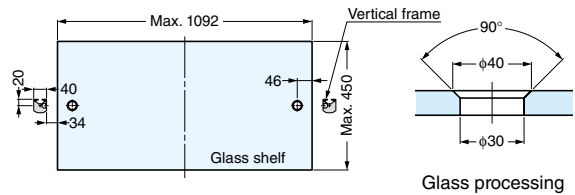
BRACKETS & SHELVING SYSTEM FOR GLASS

UNIT SHELF XLA-US02K

Glass Shelf Dimension



Glass Shelf Dimension (For Angular Adjustment Shelf)



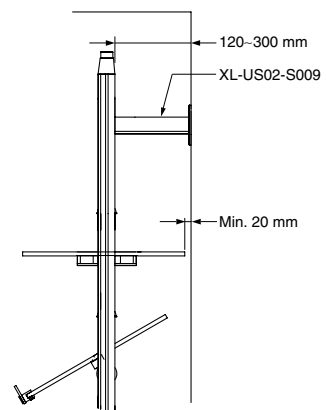
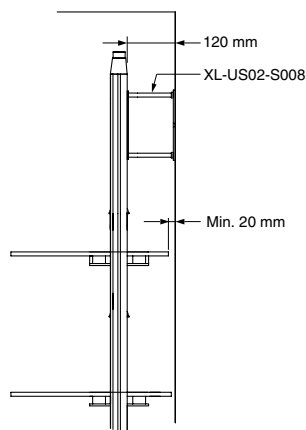
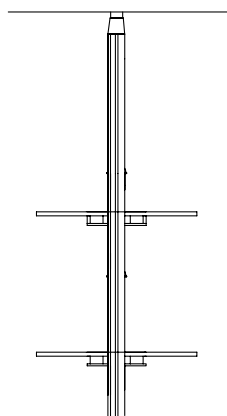
Dimension X

With	X
XL-US02-S008	70
XL-US02-S009	70 - 175

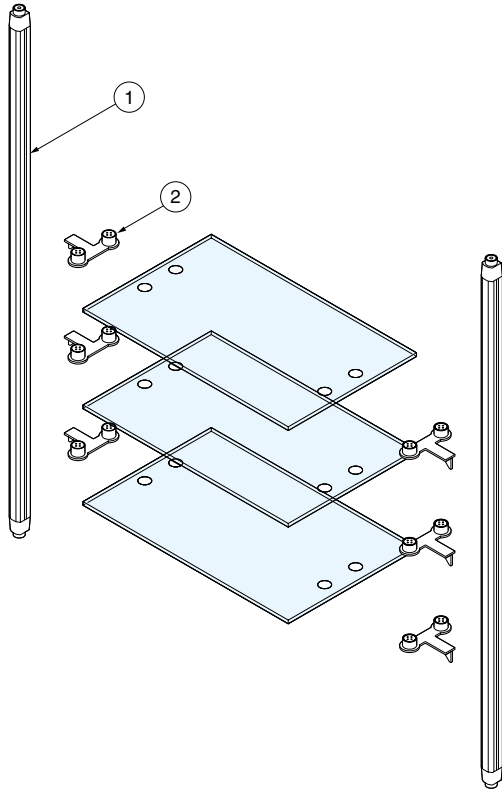
- The dimension is different depend on how to fix vertical frame.

Install Variation of Vertical Frame

- Fixing on roof and floor
- Fixing on wall by Wall Mounting Bracket (XL-US02-S008)
- Fixing on wall by Wall Mounting Bracket (XL-US02-S009)



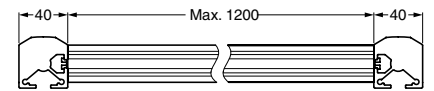
Detailed View



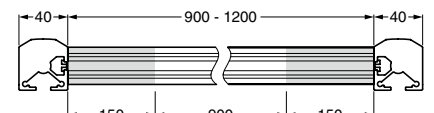
Installation



Used with XL-US02-S004 for hanging clothes.



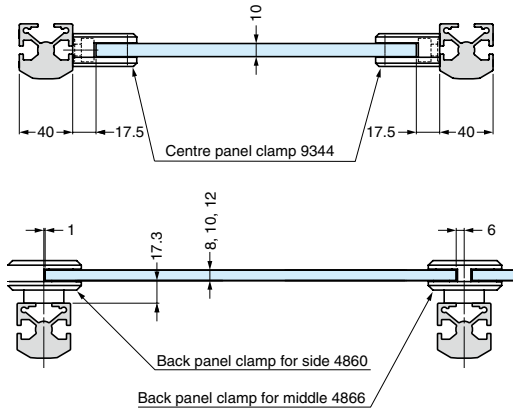
Hanger bar XL-US02-S004



LED light bar XL-US02-S004L-B
XL-US02-S004L-W

Length (Max.)	1200
LED Position	Mid-900
Cut-off Range	Both ends 150

Installation

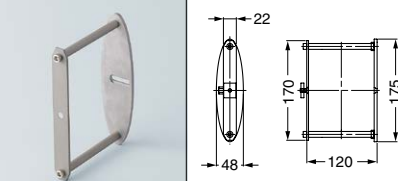
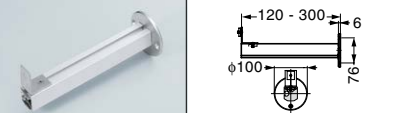
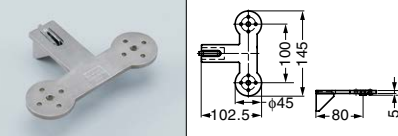
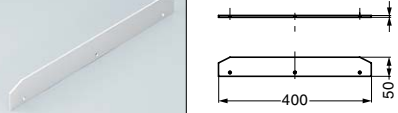
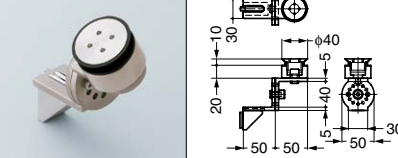

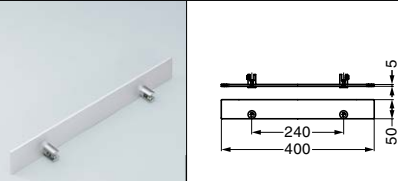
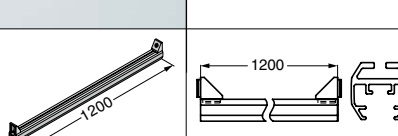
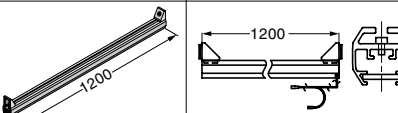
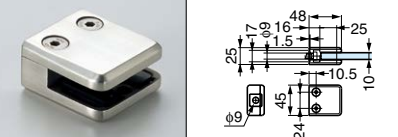
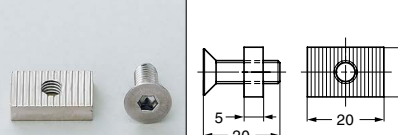


XLA-US02K Part Details

No.	Item Code	Item Name	Dimensions	Type	Qty
①	130-031-024	XLA-US02-S007	Vertical Frame (2 Slot Type)	<ul style="list-style-type: none"> Material: Aluminium, Zinc Alloy Finish / Colour: Anodized, Grey Length: Max. Height : 2600 mm (Floor to Ceiling) 	1 set
②	130-031-026	XL-US02-S001	Shelf Support (For Glass)	<ul style="list-style-type: none"> Glass Shelf Support for Type K. Material: Stainless Steel SCS13 Finish / Colour: Polished, Shot Blast 	2 sets

*SCS13 is equivalent of SUS304.

XLA-US02K Option Parts

Item Code	Item Name		Dimensions	Type	Qty
130-188-732	XL-US02-S008	Wall Mounting Bracket		<ul style="list-style-type: none"> Material: 304 Stainless Steel, Steel Finish / Colour: Grey 	1 pc
130-180-591	XL-US02-S009	Wall Mounting Bracket		<ul style="list-style-type: none"> Material: 304 Stainless Steel, Steel Finish / Colour: Anodized 	1 pc
130-031-027	XL-US02-S002	Shelf Support (For Wood)		<ul style="list-style-type: none"> Material: Stainless Steel (SCS13) Finish / Colour: Shot Blast 	2 sets
130-180-553	XLA-US02-S014	Shelf Edge (For Wood Shelf)		<ul style="list-style-type: none"> Material: 304 Stainless Steel, Steel Finish / Colour: Anodized 	1 pc
130-031-028	XL-US02-S003	Shelf Support For Glass (Angle Adjustable)		<ul style="list-style-type: none"> Material: Stainless Steel (SCS13) Finish / Colour: Shot Blast 	2 sets
270-180-387	Z058	Adjustable Face Pin		Required to Install Shelf Support for Glass.	1 pc
130-031-029	XLA-US02-S015	Shelf Edge (For Glass Shelf)		<ul style="list-style-type: none"> Material: Aluminium, Zinc Alloy Finish / Colour: Anodized, Matte Chrome <p>*Prevents items from falling off. *For glass shelf. *To be mounted on front or back edge.</p>	1 set
130-031-030	XL-US02-S004	Hanger for Horizontal Frame		<ul style="list-style-type: none"> Material: Aluminium, Zinc Alloy Finish / Colour: Matte Chrome 	1 set
220-031-031	XL-US02-S004L-B	Hanger for Horizontal Frame with LED (Blue)		<ul style="list-style-type: none"> Material: Aluminium, Zinc Alloy Finish / Colour: Matte Chrome 	1 set
220-031-032	XL-US02-S004L-W	Hanger for Horizontal Frame with LED (Cyan)			
120-181-389	9344VA2	Centre Panel Clamp		<ul style="list-style-type: none"> Material: Stainless Steel SUS316 Finish / Colour: Satin 	1 pc
130-031-034	XL-US02-S012	Centre Panel Fastener		<ul style="list-style-type: none"> Material: Steel Finish / Colour: Nickel Parts Included: Screw (Stainless Steel) 	1 pc

*SCS13 is equivalent of SUS304.

LEVEL ADJUSTABLE SHELVING SYSTEM

VT-DS

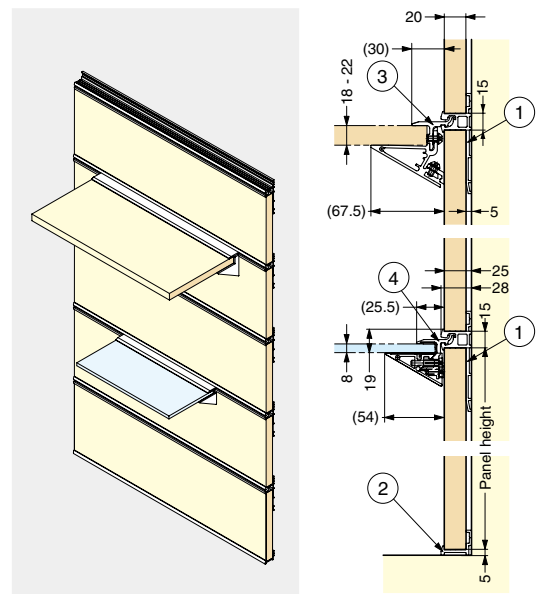
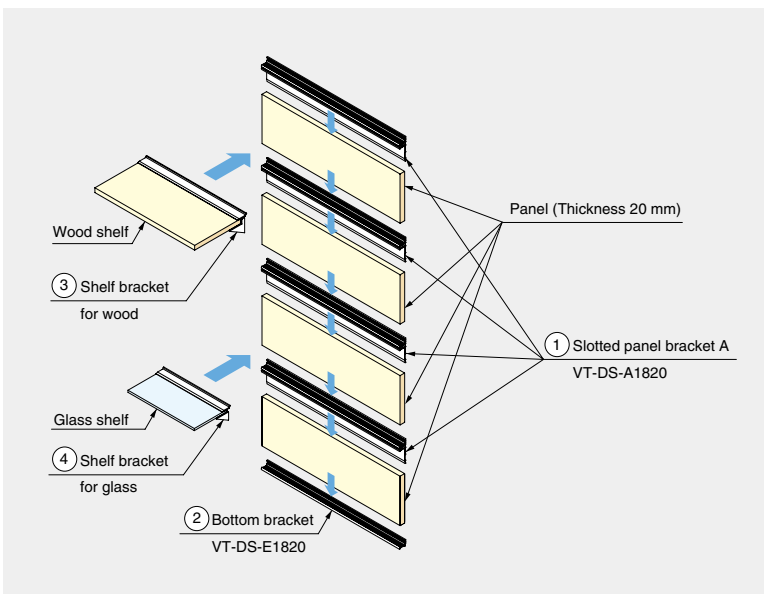


Features

- Heavy load capacity freely adjustable slotted shelving system
- Uses the wall to give an open feeling of a hanging display
- Adjustment of layout, installation and removal of shelves can be done freely
- Shelves are inserted into grooves in the wall
- No need to bore grooves into the wall, installation is simple and easy
- New feature makes it more difficult to remove shelves once they are set
- Both glass and wooden shelves are available (both sold separately) so that you can produce the type of designs you are looking for.
- Shelf Size : Thickness - 20 mm Width - Max. 1820 mm Height - 105 - 405 mm
- *Shelf not included

Application

Displays in retail stores, walk in closets, residential interiors



Item Code	Item Name	Item Description	Dimensions	Material	Finish/ Colour	Length L	Panel Thickness	Shelf Board			Load Capacity*	Weight
								Width	Depth	Thickness		
① 130-031-205	VT-DS-A1820	Slotted Panel Bracket A		Aluminium Alloy	Anodized Silver	1820	20	-	-	-	-	2.6 kg
② 130-031-207	VT-DS-E1820	Top/Bottom Bracket		Aluminium Alloy	Anodized Silver	1820	20	-	-	-	-	0.8 kg
③ 130-031-201	VT-DS-X-450	Shelf Bracket for Wood		Aluminium Alloy, ABS	Anodized Silver, Grey	443	-	450 - 600	150 - 300	18 - 22	392 N	40 kgf
130-031-202	VT-DS-X-800					793		800 - 900				2.0 kg
④ 130-031-203	VT-DS-G-450	Shelf Bracket for Glass		Aluminium Alloy, ABS	Anodized Silver, Grey	443	-	450 - 600	150 - 300	8	98 N	10 kgf
130-031-204	VT-DS-G-685					678		685 - 900				1.2 kg

*Load capacity does not include weight of shelf.

LEVEL ADJUSTABLE SHELVING SYSTEM

VT-DF

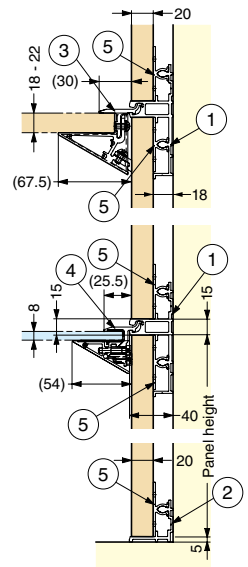
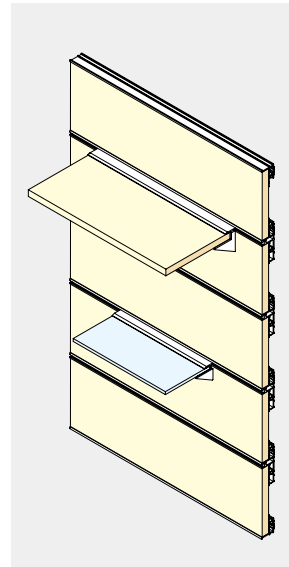
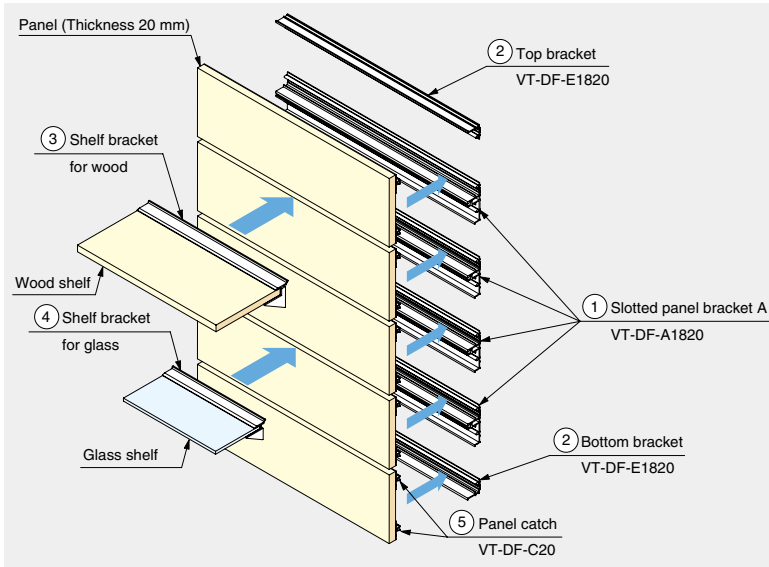
BRACKETS & SHELVING SYSTEM

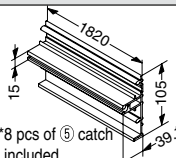
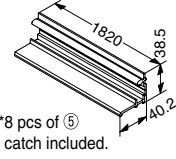
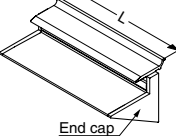
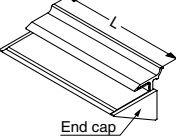
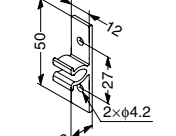
LEVEL ADJUSTABLE SHELVING SYSTEM VT-DF



Features

- Slotted shelving system for flexible layout.
- Shelves can be installed anywhere in the slot.
- Simple and easy installation.
- Use with desired panel to match the surrounding design.
- Snap-in type catch for easy panel installation.
- Panel Size : Thickness - 20 mm
Width - Max. 1820 mm
Height - 105 - 405 mm
- *Panel not included
- Designed to have space behind panels for electric wiring.
- Shelf bracket for wood or glass available. (Shelf board not included)
- Level adjustable.



Item Code	Item Name	Dimensions	Material	Finish/Colour	Length L	Panel Thickness	Shelf Board			Load Capacity*	Weight	
							Width	Depth	Thickness			
① 130-031-206	VT-DF-A1820	Slotted Panel Bracket A 	Aluminium Alloy	Anodized Silver	1820	20	-	-	-	-	3.4 kg	
② 130-031-208	VT-DF-E1820	Top/Bottom Bracket 	Aluminium Alloy	Anodized Silver	1820	20	-	-	-	-	1.4 kg	
③ 130-031-201	VT-DS-X-450	Shelf Bracket for Wood 	Aluminium Alloy, ABS	Anodized Silver, Grey	443	-	450 - 600	150 - 300	18 - 22	392 N	40 kgf	1.2 kg
130-031-202	VT-DS-X-800				793		800 - 900					2.0 kg
④ 130-031-203	VT-DS-G-450	Shelf Bracket for Glass 	Aluminium Alloy, ABS	Anodized Silver, Grey	443	-	450 - 600	150 - 300	8	98 N	10 kgf	0.8 kg
130-031-204	VT-DS-G-685				678		685 - 900					1.2 kg
⑤ 130-031-209	VT-DF-C20	Panel Catch 	Polyacetal (POM)	Natural	-	-	-	-	-	-	-	3 g

*Load capacity does not include weight of shelf.

SHELVING SYSTEM

VT



BRACKETS & SHELVING SYSTEM

SHELVING SYSTEM VT

Application examples

Features

- Shelving system which uses the back wall to create an opening feeling.
- Layout and combination can be freely adjusted, installed and removed.
- Has increased load capacity.
- Larger load capacity allows for many different types of shelves or panels to be installed.
- Many types of accessories including LED equipped glass shelves, wooden shelves, cosmetic trays, hooks and more.
- Easy to adapt to a wide range of purposes and designs.
- Easy to remove parts.
- High load capacity
Wooden shelf : 40 kgf



Application

Residential interiors

*Remarks : VT series are not compatible with VT-DS (P.211) and VT-DF (P.212).



VT-H15 hook example



VT-H15 hook example



VT-K350 shelf example

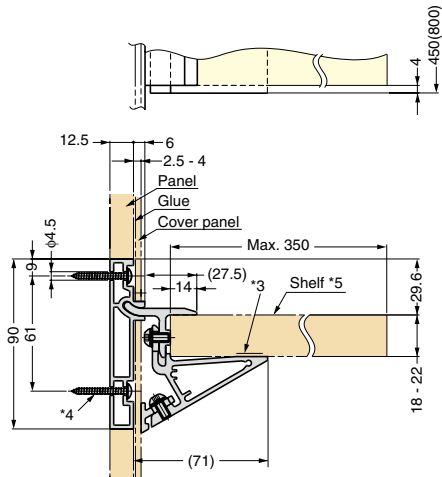
	Door Thickness	Depth	Max. Width	Load Capacity *2	
Wood Shelf Panel *1	18 - 22	350	800	392 N	40 kgf
Glass Shelf Panel *1	8	270	890	98 N	10 kgf

*1 Shelf panels are not included.

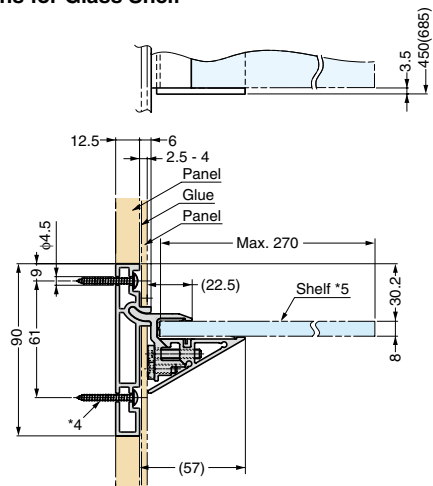
*2 Load capacity does not include the weight of shelf panel.



Dimensions for Wood Shelf



Dimensions for Glass Shelf

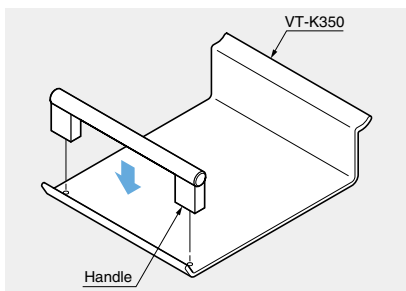
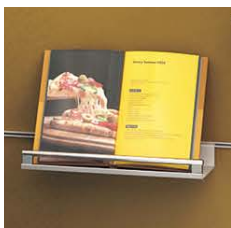


*3: Adhesive tape required. *4: Required screws: 4x50 *5: Shelves are not included.

Application Examples

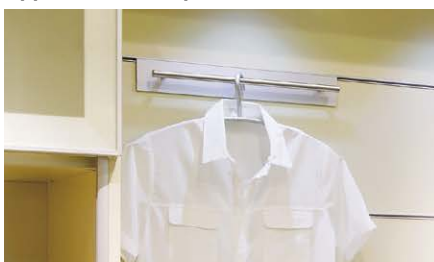


Application Examples



Combination of VT-K350 (P.216) and handle.

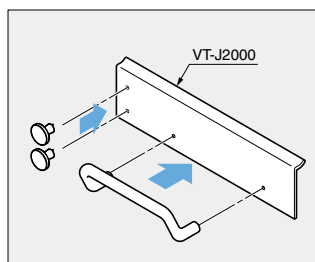
Application Examples



with I1014 (P.29)

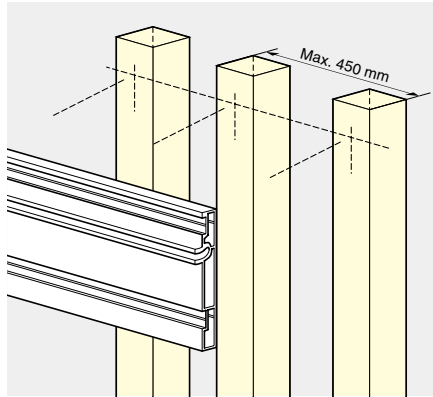


with TS (P.80) and LF-12 (P.24)

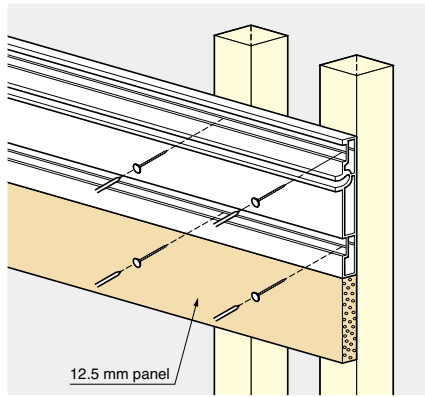


- Combination of VT-J2000 (P.216) and handle.
- Aluminium profile that can be cut to length.

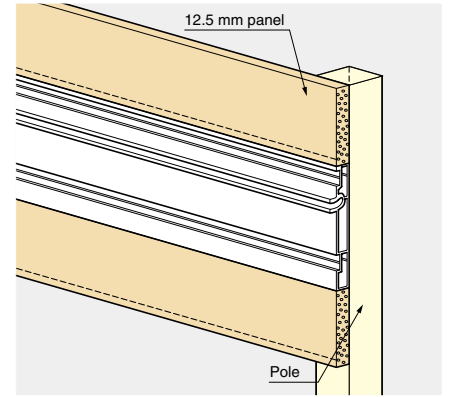
Installation



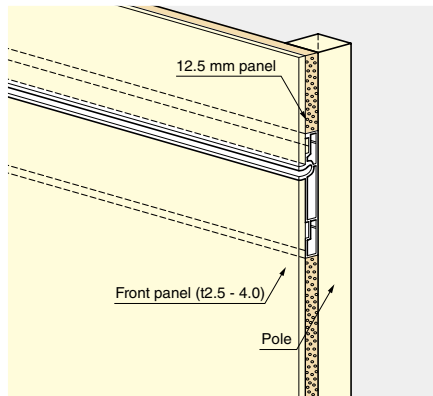
1. Decide application position. Make sure to place horizontally.



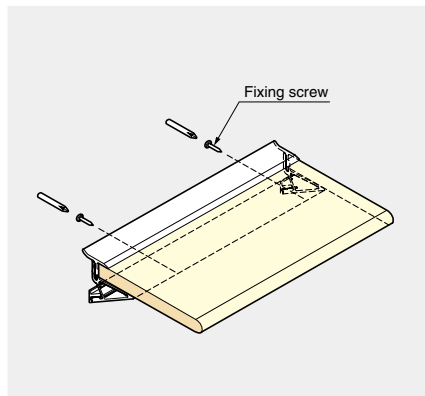
2. Apply an extra panel (12.5 mm) below the rail. Screw the board in place.



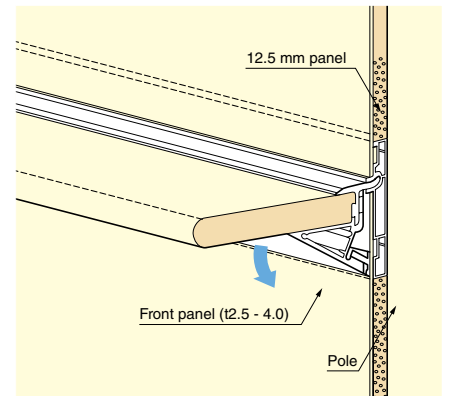
3. Next, apply a second panel (12.5 mm) above the rail.



4. Conceal rail, panels with 2.5 mm - 4.0 mm board.

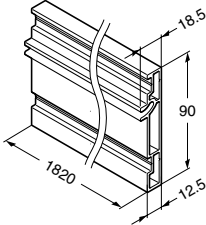
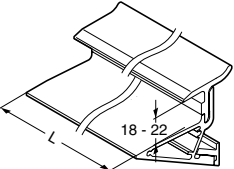


5. Attach shelf and shelf holder with screws as shown in the above.



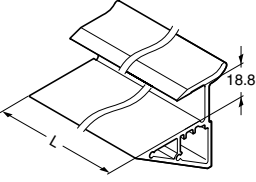
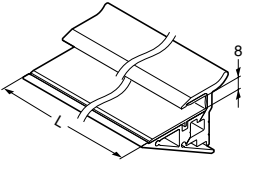
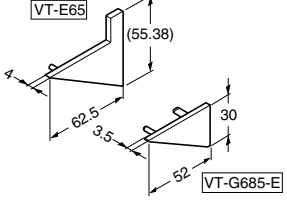
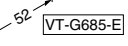
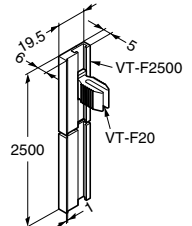
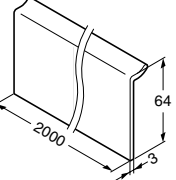
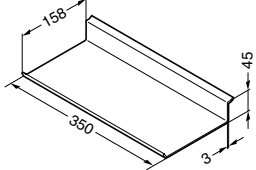
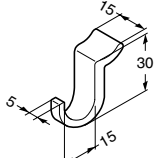
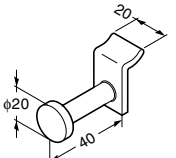
6. Slant the shelf board into the rail slot and drop down once the board is horizontal.

VT Part Details

Item Code	Item Name		Dimensions	Material/Finish	Length L	Shelf Thickness	Load Capacity	Weight
130-030-690	VT-A1820	Slotted Panel Bracket		Aluminium Alloy / Anodized Silver	1820	-	-	2.5 kg
130-031-196	VT-X450	Shelf Bracket for Wood		Aluminium Alloy / Anodized Silver	442	18 - 22	392 N*	1.2 kg
130-030-691	VT-X800				792			2.2 kg

*End cap VT-E65 is included.

*Load capacity does not include the weight of shelf panel.

Item Code	Item Name		Dimensions	Material/Finish	Length L	Shelf Thickness	Load Capacity		Weight
130-031-198	VT-18-X450	Bracket for Wood Shelf 18 mm		Aluminium Alloy / Anodized Silver	443	18	98 N*	10 kgf*	0.8 kg
130-031-199	VT-18-X800			Aluminium Alloy / Anodized Silver	793	18	98 N*	10 kgf*	1.3 kg
130-031-197	VT-G450	Bracket for Glass Shelf 8 mm		Aluminium Alloy / Anodized Silver	443	8	98 N*	10 kgf*	0.9 kg
130-030-689	VT-G685			Aluminium Alloy / Anodized Silver	678	8	98 N*	10 kgf*	1.2 kg
130-130-483	VT-G890			Aluminium Alloy / Anodized Silver	883	8	98 N*	10 kgf*	1.6 kg
130-038-979	VT-E65	End Cap (left/right set)		ABS Resin / Grey Finish	-	-	-	-	9 g
130-941-007	VT-G685-E	End Cap (left/right set)		ABS Resin / Grey Finish	-	-	-	-	6 g
130-030-379	VT-F2500	End Parts		Aluminium Alloy / Anodized Silver	2500	-	-	-	0.6 kg
130-941-008	VT-F20	End Connector		Polyacetal (POM) / Natural	-	-	-	-	2 g
130-030-382	VT-J2000	Plate Hook		Aluminium Alloy / Anodized Silver	2000	-	392 N	40 kgf	1.5 kg
130-030-384	VT-K350	Tray		Aluminium Alloy / Anodized Silver	350	-	98 N	10 kgf	0.8 kg
130-020-327	VT-H15	Hook A		Aluminium Alloy / Anodized Silver	-	-	49 N	5 kgf	9 g
130-020-325	VT-H20	Hook B		Aluminium Alloy / Anodized Silver	-	-	49 N	5 kgf	21 g

*Load capacity does not include the weight of shelf panel.

FLUQS® WALL SHELVING SYSTEM

BRACKETS &
SHELVING SYSTEM

FLUQS® WALL SHELVING SYSTEM



FLUQS®

Exto Series

FLUQS is a unique wall shelving system with an artistic touch and a contemporary look.

The word FLUQS is from Latin "flatus" for wave, FLUQS frees you to arrange shelves in any pattern or configuration, how and when you please. The aluminium profile system is easy to install and adjust and visually coordinates well with gleaming aluminium, white or black finishes.

Easily blends into any atmosphere.

- Fixing screws are invisible after installation.
- Shelves available in acrylic and aluminium plate.
- 2 types available: FLUQS 250/750 which can be used as wall panels and FLUQS 25/ ONE which has single hook base match with any wall design.

Designed for safety and flexibility

- Easy installation - simply screw in place (base required).
- Accessories such as hooks and shelves fit firmly and stay put.



FLUQS® WALL SHELVING SYSTEM

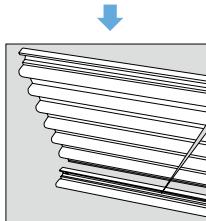
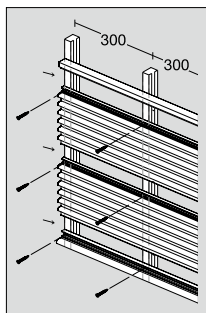
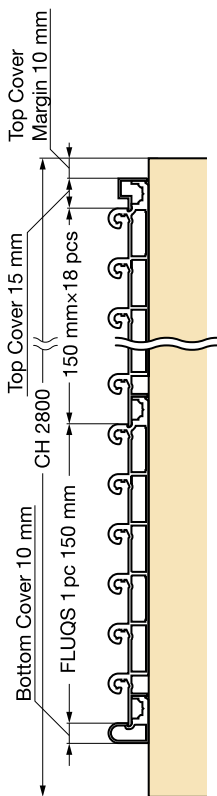
FLUQS® 250/750

BRACKETS & SHELVING SYSTEM

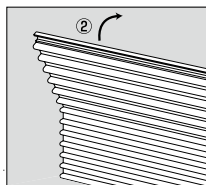
FLUQS® WALL SHELVING SYSTEM



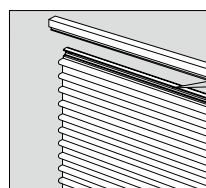
Installation Example
Ceiling Height (CH) : 2800 mm



Install the bottom rail ①. Level the bottom rail before fastening. Insert the profile ② into the bottom rail. Fasten with screws.

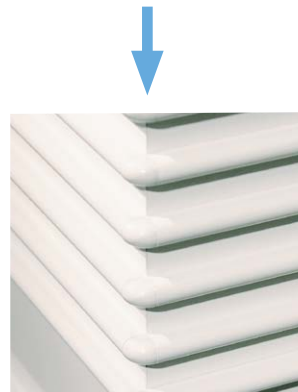
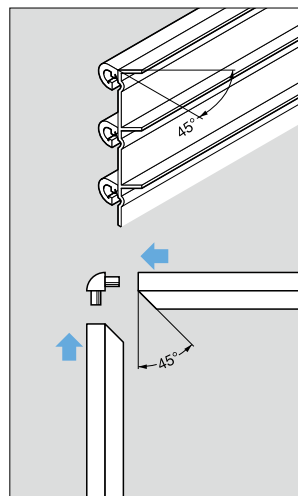


Install the profile ② until it reaches required height. The profile will cover the screws.



Snap-in the top rail to cover all the screws.

Corner Installation



Corner Example

FLUQS 250/750 Part Details

No.	Item Code	Item Name		Dimensions	Material/Finish	Length	Description
①	130-031-306	EX001-21	Main Panel FLUQS 250		Aluminium / Anodized	1820 mm	<ul style="list-style-type: none"> • Basic Aluminium Wall Panel (Rail pitch 25 mm) • Screw hole pitch 300 mm
②	130-031-307	EX004-21	Main Panel FLUQS 750		Aluminium / Anodized		<ul style="list-style-type: none"> • Basic Aluminium Wall Panel (Rail pitch 75 mm) • Screw hole pitch 300 mm
③	130-031-308	EX007-21	Top Cover		Aluminium / Anodized		<ul style="list-style-type: none"> • Top Cover Track • Covers the screw heads
④	130-031-309	EX008-21	Bottom Rail		Aluminium / Anodized		<ul style="list-style-type: none"> • Bottom Track • Screw hole pitch 300 mm
⑤	130-030-422	EX905-21	End Cap (1Way Type)		ABS / Matte Silver	-	-
⑥	130-030-424	EX906-21	End Cap (2Way Type)		ABS / Matte Silver	-	-
⑦	130-031-385	EX901-21	Corner Angle		Aluminium / Anodized	3000 mm	<ul style="list-style-type: none"> • Corner plate to cover the edge of aluminium panel. • Screws not included.

*Please see P.222 for accessories.

BRACKETS &
SHELVING SYSTEM

FLUQS® WALL SHELVING SYSTEM

FLUQS® WALL SHELVING SYSTEM

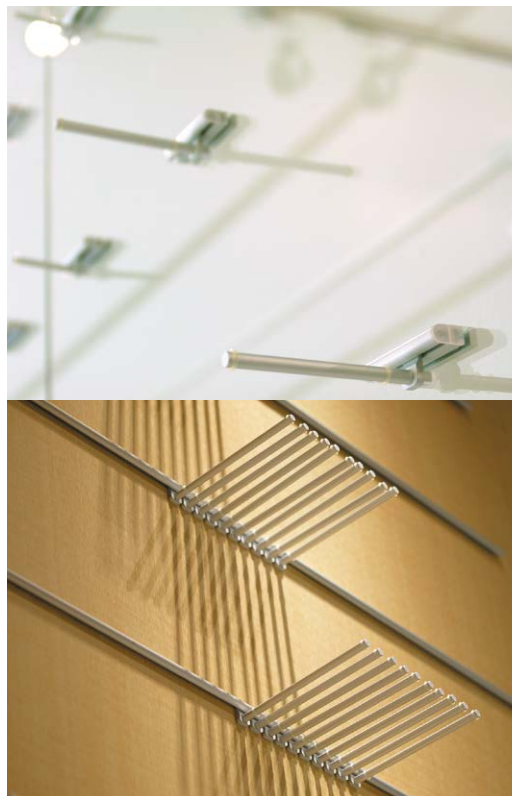
FLUQS® 25/ONE

BRACKETS & SHELVING SYSTEM

FLUQS® WALL SHELVING SYSTEM



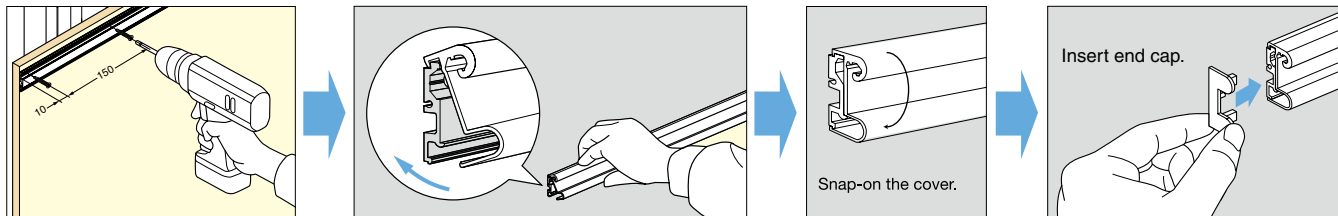
FLUQS 25



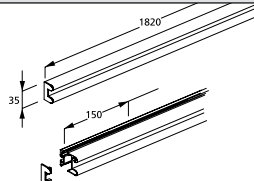
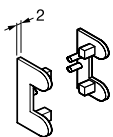
FLUQS ONE

FLUQS® 25

Installation



FLUQS® 25 Part Details

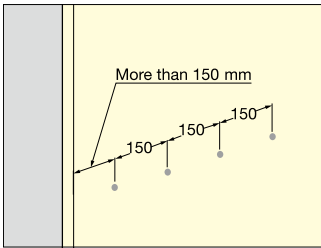
No.	Item Code	Item Name		Dimensions	Material/Finish	Length	Description
①	130-031-316	EX022-21	FLUQS 25		Aluminium / Anodized	1820 mm	<ul style="list-style-type: none"> • Single Aluminium Profile. • Easy installation type • End Cap 2 pcs included. • Screw hole pitch 150 mm
②	130-031-889	EX025-31	End Cap for FLUQS 25		ABS / Grey	-	<ul style="list-style-type: none"> • Non-handed (2 pcs included).

Please see P.222 for accessories.

FLUQS® ONE

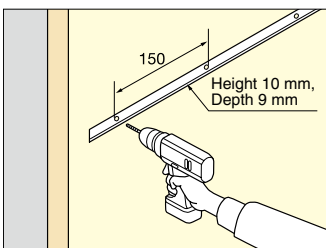
Installation

Surface Mount (Wood/Acrylic)

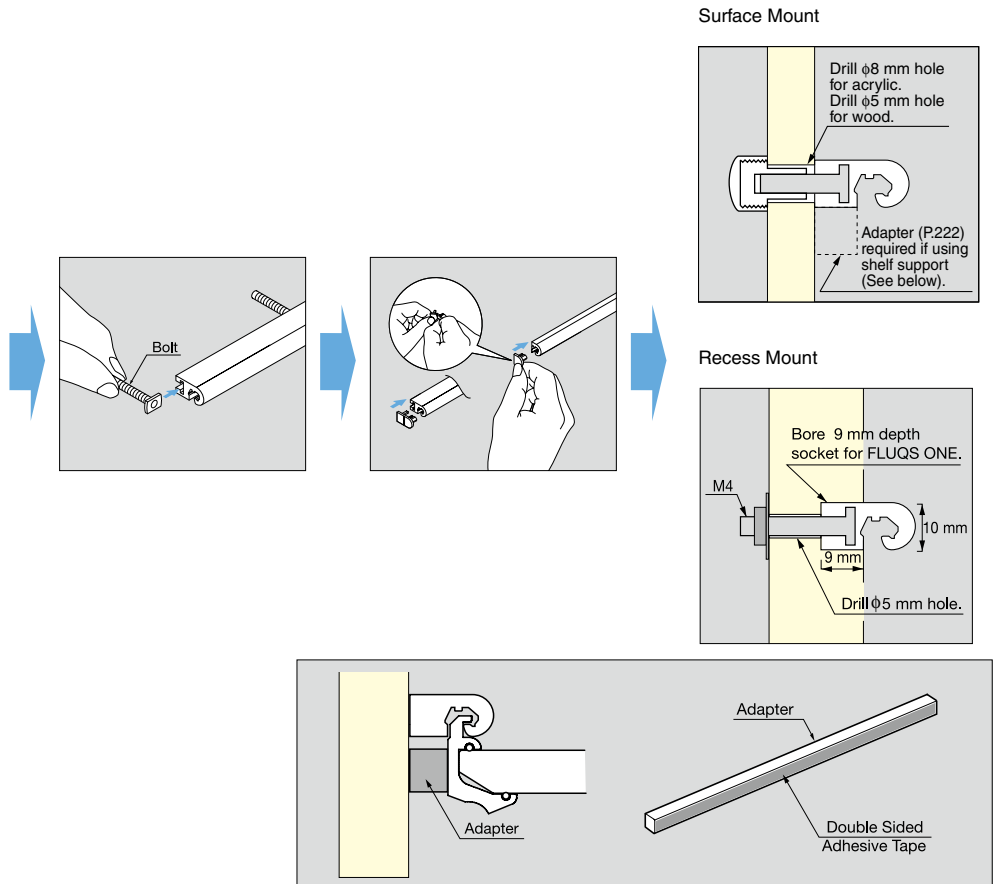


*Thickness:
Acrylic 10 mm, wood 20 mm
*Can not be used with hook.

Recess Mount (Wood)



*Thickness:
Wood 24 mm



FLUQS® ONE Part Details

No.	Item Code	Item Name	Dimensions	Material/Finish	Length	Description
①	130-031-312	EX012-21		Aluminium / Anodized	50 mm	<ul style="list-style-type: none"> Single Aluminium Profile Simple and flexible layout design End Cap 2 pcs included For Recess Mount, cut the End Cap at the cut line and use the *1 shape part.
	130-031-311	EX010-21			1820 mm	<ul style="list-style-type: none"> * Access behind the wall/panel is required to install.
②	130-031-313	EX018-45		Polypropylene / Plain	-	<ul style="list-style-type: none"> For Recess Mount, cut the End Cap at the cut line and use the *2 shape part. (2 pcs included)
③	130-031-314	EX019-25		Steel / Chromate	-	<ul style="list-style-type: none"> Fastener to attach FLUQS ONE to Wood Panel (surface mount: Max. 20 mm / recessed mount: Max. 24 mm thick)
④	130-031-315	EX020-20		Steel / Silver	-	<ul style="list-style-type: none"> Fastener to attach FLUQS ONE to Acrylic Panel (10 mm thick)

Please see P.222 for accessories.

ACCESSORIES

Hook (For FLUQS 250/750/25/ONE Recess Mount)

No.	Item Code	Item Name		Dimensions	Material	Finish/Colour		Length	Load Capacity
①	130-031-321	EX030-20	Hook (φ3)		Steel	Chrome		15	1 kg
	130-031-323	EX031-20						30	
	130-031-325	EX032-20						55	
②	130-031-333	EX040-20	Hook (φ6)		Steel	Chrome		50	2 kg
	130-031-336	EX041-20						100	
	130-031-339	EX042-20						150	
③	130-031-342	EX046-20	Hook (φ9)		Steel	Chrome		100	3 kg
	130-031-345	EX047-20						150	
	130-031-348	EX048-20						200	

*Can not be used with surface mount FLUQS ONE.

Shelf (For FLUQS 250/750/25/ONE)

No.	Item Code	Item Name		Dimensions	Material	Finish/Colour	W	D	t	Description						
①	130-031-369	EX201-41	Acrylic Shelf Set		Aluminium (Bracket)	Anodized (Bracket)	300	150	10	Load Capacity: 2.4 kg						
	130-031-370	EX202-41									Acrylic (Shelf)	Light Green (Shelf)	450	200	250	Load Capacity: 3.6 kg
	130-031-371	EX203-41														
	130-031-373	EX206-41			600	200	250	Load Capacity: 4.8 kg								
	130-031-374	EX207-41							600	200	250	Load Capacity: 4.8 kg				
	130-031-375	EX208-41			600	200	250	Load Capacity: 4.8 kg								
	130-031-377	EX211-41							600	200	250	Load Capacity: 4.8 kg				
	130-031-378	EX212-41			600	200	250	Load Capacity: 4.8 kg								
	130-031-379	EX213-41							600	200	250	Load Capacity: 4.8 kg				
②	130-031-372	EX204-41	Adapter		Acrylic	-	300	-					-	For Shelf Holder when used with FLUQS ONE surface mount profile and bracket. (with double sided adhesive tape)		
	130-031-376	EX209-41							450							
	130-031-380	EX214-41							600							
③	130-031-318	EX026-21	Shelf Holder		Aluminium	Anodized	1820	10	9	*For 10 mm glass *Maximum shelf depth: 250 mm *For permanent installation, apply caulk to bracket and glass/acrylic *1 rubber strip (clear, 1820 mm) included *Glass not included, chamfer required as shown Load Capacity: 14.4 kg						
④	130-031-319	EX027-21	Shelf Holder		Aluminium	Anodized	1820	-	-	*For 10 mm glass *Maximum shelf depth: 450 mm *For permanent installation, apply caulk to bracket and glass/acrylic *1 clear rubber strip (1820 mm) included *Glass not included, chamfer required as shown Load Capacity: 30 kg						
⑤	130-031-368	EX090-21	Mini Hook		Aluminium	Anodized	10	-	-	Load Capacity: 3 kg						