

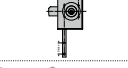

















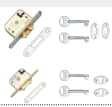











# LOCKS

## CABINET LOCKS







Picture	Item Name	Series	Key Changes	Master Key Option	Page	
	7810W <b>NEW</b>	-	1 million	2,520 changes per Master Key	309-3	
	CABINET LOCK W/ SHAFT KEY <b>NEW</b>	-	1 million	-	309-4	
	MILLION LOCK 3-POINT LOCK FOR CABINET <b>NEW</b>	Million Lock	1 million	-	309-5	
	5830	-	3,120	780 changes per master key	310	
	6830-30MK	-	7,800	750 changes per master key	312	
	7810	Million Lock	1 million	2,520 changes per master key	313	
	7810K	Million Lock	1 million	2,520 changes per master key	314	
	8810 (W/ BUILT IN KEY CHANGE)	-	3 million	300 changes per master key	315	
	2200QL	2200 Lock	300	170 changes per master key	316	
	2200	2200 Lock	12 (300 special order)	170 changes (1 master only)	317	
	2100	2100 Lock	12	-	318	
	3810S	 	-	12 (300 special order)	300 changes (1 master only)	319
	3310	3310 Lock	156	-	320	
	3320	3310 Lock	156	-	321	
	2550	-	300	80 changes per master key	322	
	2650	-	48 (2650-16) 120 (2650-22, 30)	-	323	
	RH-80-D, RHL-80-D	-	3	-	358	
	SK-80-D, SKL-80-D	-	3	-	358	

Picture	Item Name	Series	Key Changes	Master Key Option	Page
	RC-180-D, RCL-180-D	-	3	-	359
	SC-180-D, SCL-180-D	-	3	-	359















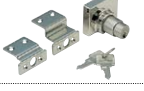


**PUSH LOCKS**

Picture	Item Name	Series	Key Changes	Master Key Option	Page
	2150M, 2160M	-	24	-	324
	2300M	Million Lock	1 million	2,520 changes per master key	325
	2400M	-	47,000	1,000 changes per master key	325
	2100M	2100 Lock	12	-	326
	2110M	2100 Lock	12	-	326
	2100B	2100 Lock	12	-	346
	2110B	2100 Lock	12	-	346
	2150B, 2160B	-	24	-	347












**CENTRAL LOCKING SYSTEMS**

Picture	Item Name	Series	Key Changes	Master Key Option	Page
	ALS3310	3310 Lock	100	-	327
	1830-MK	-	7,800	750 changes per master key	328 - 329
	ALF1800	Million Lock	1 million	2,520 changes per master key	330 - 331
	ALF1600	3310 Lock	100	-	332 - 333
	ALS2200	2200 Lock	12 (300 special order)	170 changes (1 master only)	334
	ALS2100	2100 Lock	12	-	335








## GLASS DOOR LOCKS

Picture	Item Name	Series	Key Changes	Master Key Option	Page
	CYLINDER PUSH LOCK W/ SHAFT KEY <b>NEW</b>	-	1 million	-	309-6
	GS-GL5 <b>NEW</b>	Million Lock	1 million	2,520 changes per Master Key	309-9
	GS-GL20 <b>NEW</b>	Million Lock	1 million	2,520 changes per Master Key	309-10
	GS-GL50 <b>NEW</b>	-	3 million	300 changes per master key (made to order)	309-11
	1310GL-SQ <b>NEW</b>	Million Lock	1 million	2,520 changes per master key (made to order)	309-12
	XL-GC01	-	24	-	337
	XL-GC02	-	24	-	337
	XL-GC03	-	24	-	337
	1330GL-MK	-	7,800	750 changes per master key	340
	1300GL	Million Lock	1 million	2,520 changes per master key	341
	1310GL	Million Lock	1 million	2,520 changes per master key	342
	1310GLW	Million Lock	1 million	2,520 changes per master key	343
	2200GL	2200 Lock	12 (300 special order)	170 changes (1 master only)	344
	2100GL	2100 Lock	12	-	344
	MKL-2100	2100 Lock	1 (12 special order)	-	345
	6300-D	-	96	-	347
	2100GLK	2100 Lock	12	-	348

CAM LOCKS

Picture	Item Name	Series	Key Changes	Master Key Option	Page
	DIS-022R-D	-	1	-	348
	NO990	-	40,000	-	349
	920BS	-	3,200	120 changes per master key	349
	900	Million Lock	1 million	2,520 changes per master key	350
	DCY-34	-	2,000	866 changes per master key	350
	3800S	 	300	300 changes (1 master only)	351
	910MS	-	47,000	1,000 changes per master key	351
	NAL	-	5,000	-	352
	NAL-S	-	1	-	352

OTHER LOCKS

Picture	Item Name	Series	Key Changes	Master Key Option	Page
	DIT-19	-	-	-	353
	PWL	-	110	-	354
	BL-70Y	-	5	-	354
	WL-N1800	-	10,000	200 changes per master key	355
	WL-S1800	-	250	250 changes per master key	356
	WL-S2200-B	-	-	250 changes per master key	356
	WL-P1800-B	-	250	-	357

MILLION LOCK CABINET LOCK (FOR DOUBLE SWING DOOR / DRAWER INTERLOCKING TYPE) **7810W**

LOCKS

MILLION LOCK CABINET LOCK (FOR DOUBLE SWING DOOR / DRAWER INTERLOCKING TYPE)



7810W-24NI

**Features**

- With 2 dead bolts, suitable for double swing doors and drawers, etc.
- Can lock upper and lower drawers by using one lock.
- Reversible key. Turn the key 360° to lock or unlock.
- Body and dead bolt are made of stainless steel (SUS304) with excellent rust resistance.
- 1 million key changes available.  
Master Key system available at surcharge. (Max. 2,520 key changes/Master Key.)
- Polished and clear finish for cylinder and ring also available by made to order.
- Keys can be shared with other Million Lock Series.

**Remarks**

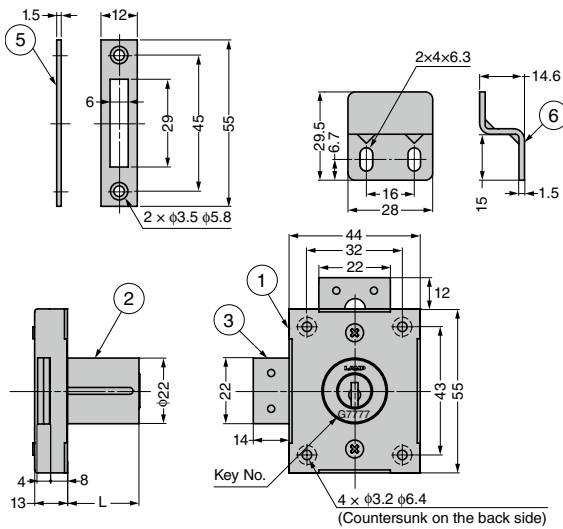
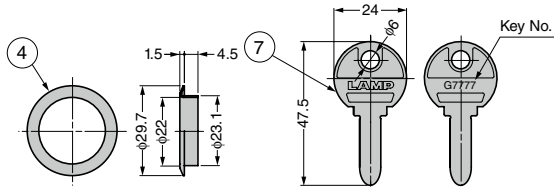
- For key numbers and their combination, please consult our sales representative.
- Be sure to read the "Cautions".

**Parts Included**

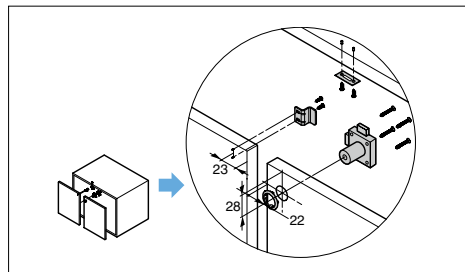
Countersunk head wood screw 2.7 x 13, 3.1 x 22 (SUS)

**Sold Separately**

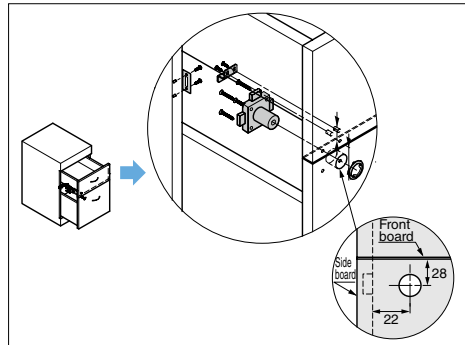
Spacer 6810-SP



**Installation on Double Swing Door**



**Installation on Drawer**



No.	Part Name	Material	Finish
①	Body	Stainless Steel (SUS304)	Satin
②	Cylinder	Brass	Dull Nickel, Chrome
③	Dead Bolt	Stainless Steel (SUS304)	Plain
④	Ring	Brass	Dull Nickel, Chrome
⑤	Strike A	Stainless Steel (SUS304)	Satin
⑥	Strike B		
⑦	Key	Brass	Nickel

CAD	Item Code	Item Name	Key Type	Cylinder Diameter	Door Thickness (mm)	Finish	L	Weight (g)	Box (pcs)	Carton (pcs)
2D/3D	150-034-439	7810W-24NI-B	Key Different	22	22 - 24	Dull Nickel	24	170	12	60
2D/3D	150-001-259	7810W-24NI-D	Key Alike			12			60	
2D/3D	150-034-441	7810W-24CR-B	Key Different			12			60	
2D/3D	150-001-260	7810W-24CR-D	Key Alike			12			60	
2D/3D	150-034-443	7810W-30NI-B	Key Different		28 - 30	30	Dull Nickel	180	12	60
2D/3D	150-001-261	7810W-30NI-D	Key Alike						12	60
2D/3D	150-034-445	7810W-30CR-B	Key Different						12	60
2D/3D	150-001-262	7810W-30CR-D	Key Alike						12	60
2D/3D	150-034-447	7810W-36NI-B	Key Different		34 - 36	36	Dull Nickel	195	12	60
2D/3D	150-001-263	7810W-36NI-D	Key Alike						12	60
2D/3D	150-034-449	7810W-36CR-B	Key Different						12	60
2D/3D	150-001-264	7810W-36CR-D	Key Alike						12	60



7110

# CABINET LOCK WITH SHAFT KEY



Use	Installation Surface	Key Changes	Master Key	When Unlocked	Compatible Locks
<b>Drawer / Single swing door</b>	Wood	500,000	Available*	Key is released	-

\*Maximum 300 changes per master key

**Features**

- The shaft key can be inserted at any angle.
- The round keyhole allows for use on both drawers and swing doors.
- Dimple key design makes it difficult to duplicate the keys or pick the lock.
- More effective in preventing break-ins than many other types of keys.

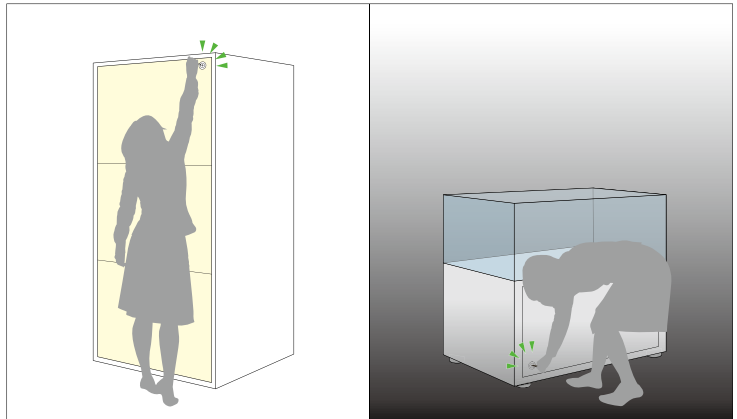
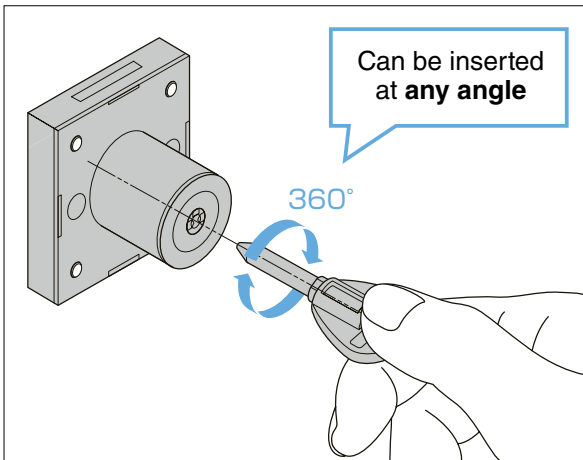
**Remarks**

Read the remarks on handling the lock before use.

**Parts Included**

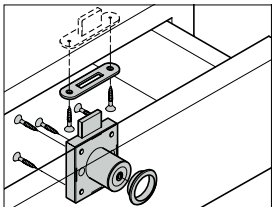
- Key (3pcs)
- Strike
- Ring
- Countersunk head wood screw 3.1 × 25 (SUS)
- Countersunk head wood screw 2.1 × 10 (SUS)

**For applications where keyholes are hard to see**

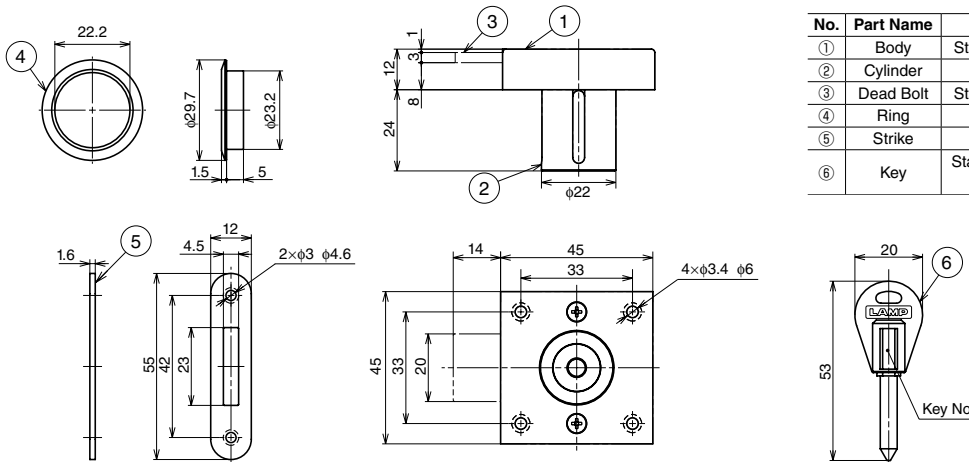
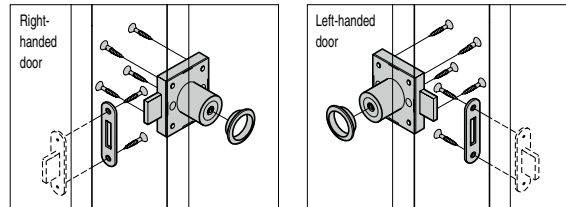


Easy to insert keys even when keyholes are high or low, or in dark places.

**Installation on Drawer**



**Installation on Single Swing Door**



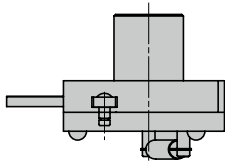
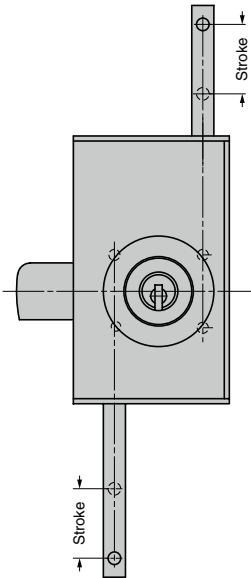
No.	Part Name	Material	Finish
①	Body	Stainless Steel (SUS304)	Plain
②	Cylinder	Brass	Nickel
③	Dead Bolt	Stainless Steel (SUS304)	Plain
④	Ring	Brass	Nickel
⑤	Strike	Steel (SPCC)	Nickel
⑥	Key	Stainless Steel (SUS303/) Polyacetal (POM)	Plain

RoHS	CAD	Item Code	Item Name	Key Type	Cylinder Diameter	Door Thickness	Weight	Box	Carton
Yes	Yes	150-044-383	7110-24-DN-B	Key Different	22	22-24	160 g	12 pcs	60 pcs
Yes	Yes	150-001-059	7110-24-DN-D	Key Alike				12 pcs	60 pcs



# MILLION LOCK 3-POINT LOCK FOR CABINET (MILLION LOCK SERIES)

Under Development



Use	Installation Surface	Key Changes	Master Key	Unlocking	Compatible Locks
Double swing door Arm type flat door	Wood	1 million key changes	Made to order	Key released	Million Lock Series

\* Maximum 2,520 changes per master key (made to order)

**Features**

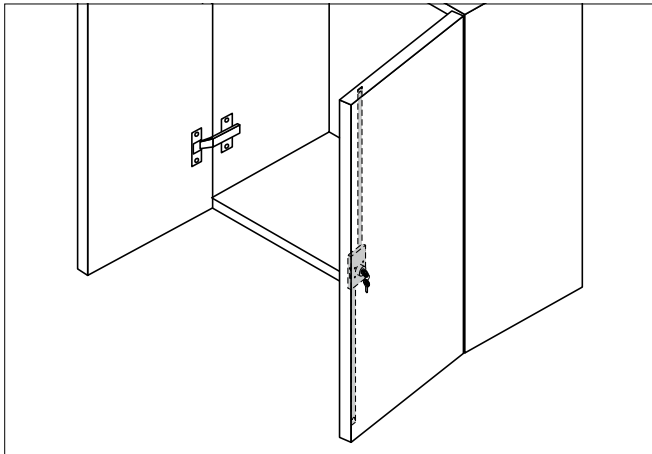
Dimpled key design. Reversible key can be inserted and removed in any direction.

**Remarks**

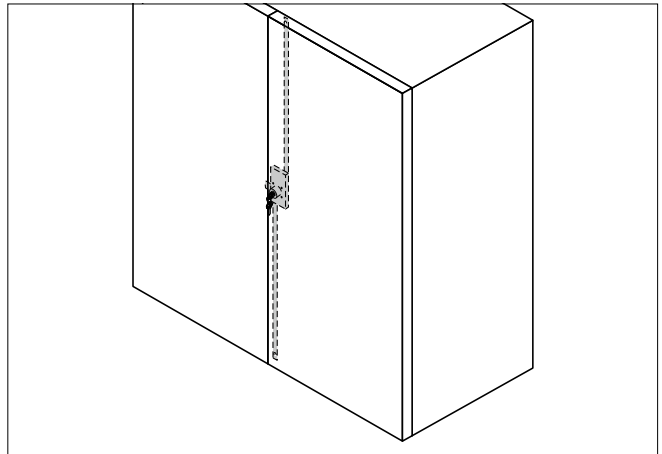
Read the remarks on handling the lock before use.

**Application Example**

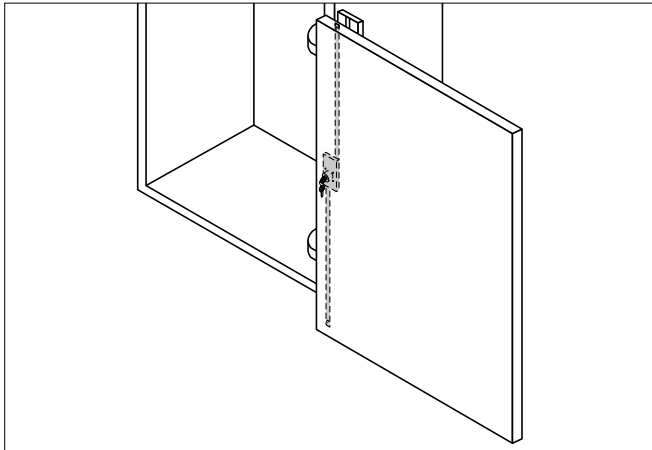
Centre-opening double swing door: When open



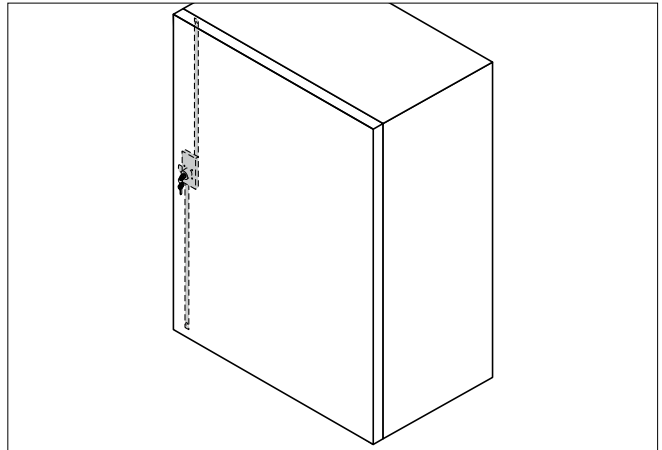
Centre-opening double swing door: When closed



Arm type flat door: When open



Arm type flat door: When closed





# CYLINDER PUSH LOCK W/SHAFT KEY

Under Development



Use	Installation Surface	Key Changes	Master Key	Unlocking	Compatible Locks
<b>Sliding doors</b>	Use the steel cover or sheet metal type for glass doors	1 million key changes	Included*	Key released	-

\*Inquire for details.

**Features**

- The shaft key can be inserted and removed from any direction when locking/unlocking.
- Dimple design makes it difficult to duplicate the keys or pick the lock. More effective in preventing break-ins than the tabular key shape.
- Supports the same keys as the cabinet lock with shaft key if the same key number is specified.

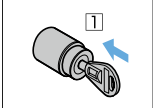
**Remarks**

Read the remarks on handling the lock before use.

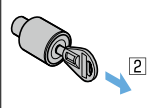
**Parts Included**

- Key
- Mounting screw

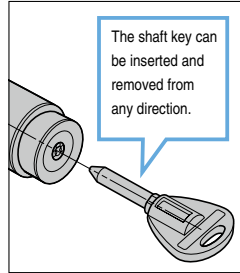
**Locking Method**



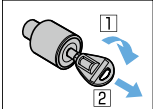
Insert key to push in the cylinder.



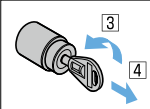
Release the key normally.



**Unlocking Method**

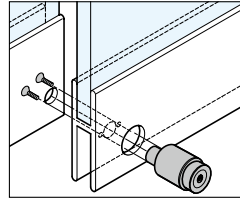


When the key is turned about 45° to the right, the cylinder is pushed out by the spring.



Turn the key to the vertical position and remove the key.

**Installation Specification Drawing**



# The GS-G Series

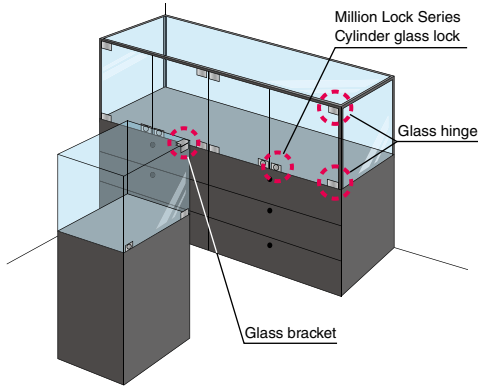
## Glass Showcase Fittings



Exquisitely coordinated brackets, hinges, and locks



# Total Design Coordination

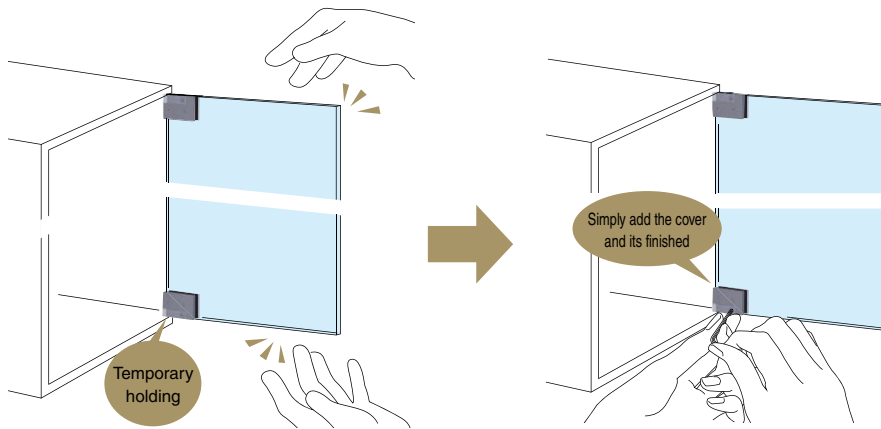


The unified flat design adds a sophisticated glamour to glass displays.



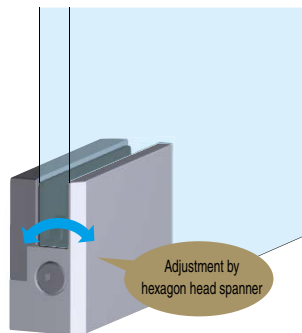
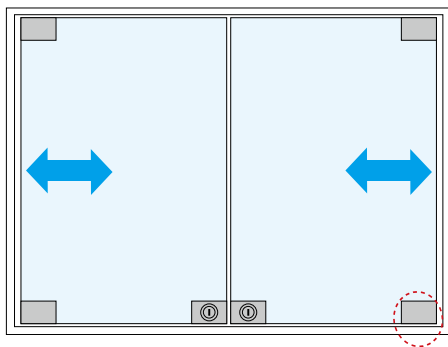
# Outstanding Easy Installation

- Temporary holding feature allows the door to be installed easily by one person.



The hinges and brackets can temporarily hold the glass door after they are mounted. This function makes it possible for a single person to install it easily.

- Easy horizontal adjustment after installation

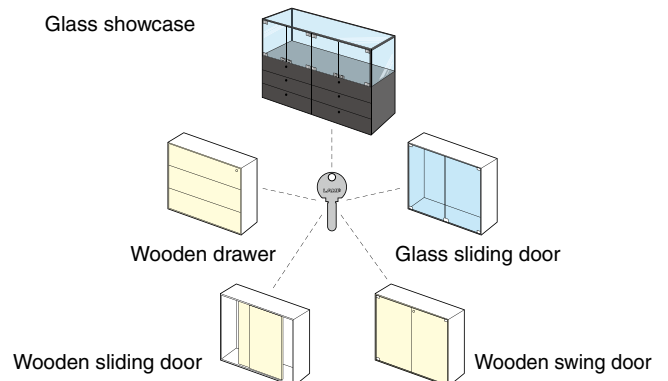


You can adjust the position of the glass door horizontally after installation by simply turning the screw.

# Total Lock Function

A single key can be used on multiple locks

The Million Lock Series enables you to operate different cabinets with the same key.  
(You need to order keys of the Million Lock Series which have the same number)



## GLASS DOOR CAM LOCK (MILLION LOCK SERIES)

INSTRUCTION

GS-GL5



Application	Door Material	Key Changes	Master Key	Key	Key Series
Swing door	Glass	Max. 1 million changes	Max. 2,520 changes/master key, Made to order	Unremovable when to unlock	Million Lock Series

**Features**

- Cylinder lock for glass swing door.
- Can be used together with glass hinge GS-GH5 and bracket GS-GB5 for a total design of your showcase.
- Dimple key with up to 1 million key changes. Reversible key.
- Turn the key 90° to lock and unlock. Key can only be removed when locked.

**Remarks**

- The direction of lock plate is fixed.
- File on glass door is recommended for safe usage.

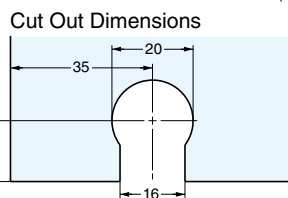
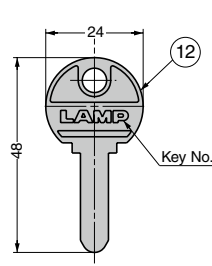
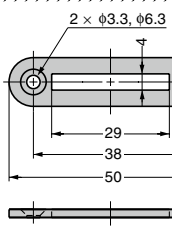
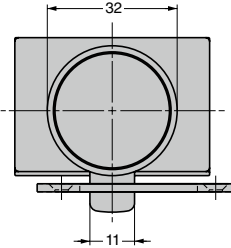
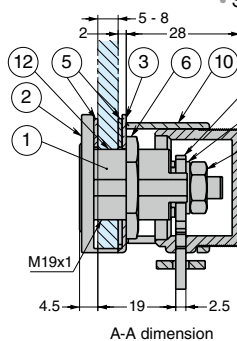
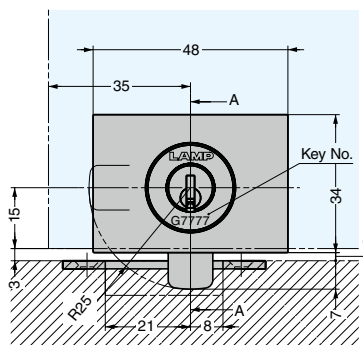
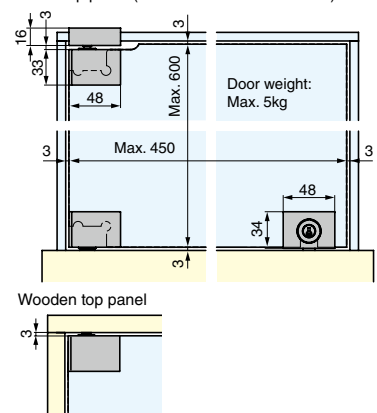
**Parts included**

- Countersunk head wood screw 2.7 × 13
- Key
- Strike plate

**Installation Drawing**

Installed with glass hinge GS-GH5 and Glass bracket GS-GB5

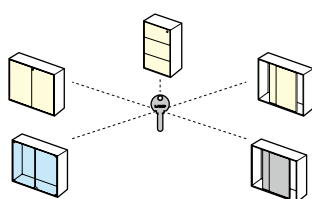
Glass top panel (Used with Bracket GS-GB5)



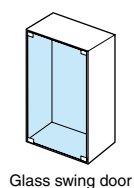
No.	Part name	Material	Finish/Colour		
			CR	GP	BL
①	Body	Brass		Gold (24K)	Black
②	Front Plate	Zinc Alloy (ZDC)	Chrome	Plated	Black
③	Back Plate				
④	Lock Plate	Stainless Steel (SUS304)		Mirror	
⑤	Gasket	Chloroprene Rubber (CR)		Black	
⑥	Hex Nut	Steel		Silver	
⑦	Washer				
⑧	Hex Nut				
⑨	Cover	Polypropylene (PP)		Black	
⑩	Ring				
⑪	Strike	Stainless Steel (SUS304)	Plain	Gold (24K Plated)	Black
⑫	Key	Brass		Nickel	

CAD	Item Code	Item Name	Finish/Colour	Key Type	Glass Thickness (mm)	Key Removal	Key Rotation Angle	Box (pcs)	Carton (pcs)
-	150-037-173	GS-GL5-CR-B	Chrome	Key Different	5-8	At one point	90°	12	60
-	150-001-313	GS-GL5-CR-D		Key Alike					
-	150-037-175	GS-GL5-GP-B	Gold (24K) Plated	Key Different					
-	150-001-314	GS-GL5-GP-D		Key Alike					
-	150-042-206	GS-GL5-BL-B	Black	Key Different					
-	150-001-438	GS-GL5-BL-D		Key Alike					

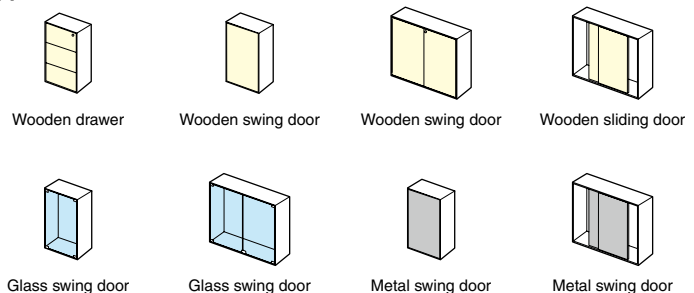
Prevent forgetting to lock when to close door.

**Lock different cabinets by the same key**

Keys can be shared with other Million Lock Series and lock drawers and doors by the same key.

**Applicable door type for glass door lock GS-GL5**

Glass swing door

**Applicable door of Million Lock Series**

Wooden drawer

Wooden swing door

Wooden swing door

Wooden sliding door

Glass swing door

Glass swing door

Metal swing door

Metal swing door

GLASS DOOR CAM LOCK (MILLION LOCK SERIES)

Under Development

INSTRUCTION

GS-GL20



Lock



Strike plate (supplied with lock)

\* Design can be changed due to developing product.

Application	Door Material	Key Changes	Master Key	Key	Key Series
Swing door	Glass	Max. 1 million changes	Max. 2520 changes/master key, Made to order	Unremovable when to unlock	Million Lock Series

Features

- Cylinder lock for glass swing door.
- Can be used together with glass hinge GS-GH20 and bracket GS-GB20 for a total design of your showcase.
- Dimple key with up to 1 million key changes. Reversible key.

Application

Glass showcases for shops, museums, schools, etc.

Remarks

- Please be careful handling black color since scratches can be made easily.
- File on glass door is recommended for safe usage.

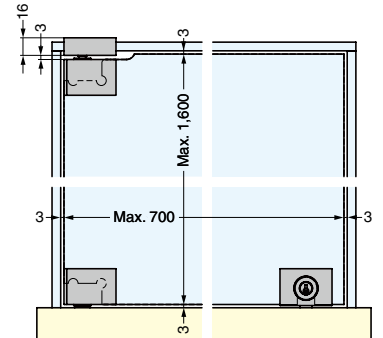
Parts supplied with set

- Screw for strike plate
- Key
- Strike plate
- Spacer

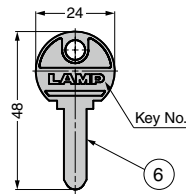
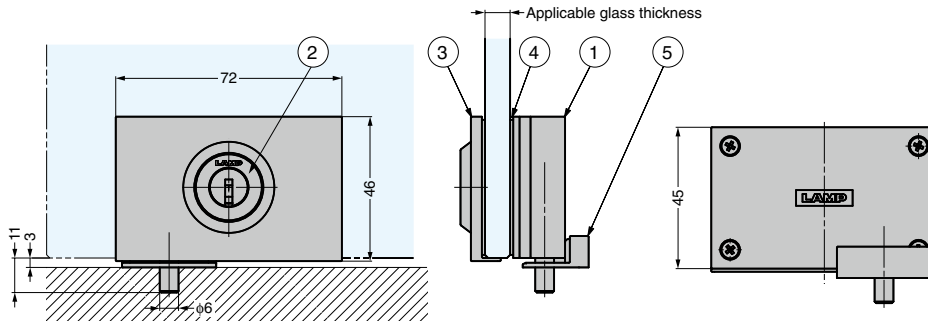
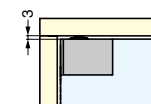
Installation Drawing

Installed with glass hinge GS-GH20 and Glass bracket GS-GB20

Glass top panel (Used with Bracket GS-GB20)



Install into wooden top panel



No.	Part Name	Material	Finish/Colour		
			CR	GP	BK
①	Lock	Zinc Alloy (ZDC)	Chrome	Gold (24K) Plated	Black
②	Cylinder	Brass	Chrome	Gold (24K) Plated	Black
③	Front Plate	Zinc Alloy (ZDC)	Black	Black	Black
④	Spacer	ABS	Black	Black	Black
⑤	Strike Plate	Zinc Alloy (ZDC)	Chrome	Gold (24K) Plated	Black
⑥	Key	Brass		Nickel	

CAD	Item Code	Item Name	Finish/Colour	Key Type	Glass Thickness (mm)	Key Removal	Key Rotation Angle	Box (pcs)	Carton (pcs)
-	150-042-117	GS-GL20-CR-B	Chrome	Key Different	6, 8, 10	At one point	360°	12	60
-	150-001-365	GS-GL20-CR-D		Key Alike				12	60
-	150-042-119	GS-GL20-GP-B	Gold (24K) Plated	Key Different				12	60
-	150-001-366	GS-GL20-GP-D		Key Alike				12	60
-	150-042-121	GS-GL20-BL-B	Black	Key Different				12	60
-	150-001-367	GS-GL20-BL-D		Key Alike				12	60

Prevent forgetting door lock when to close door.

**Lock different cabinets by the same key**

Keys can be shared with other Million Lock Series and lock drawers and doors by the same key.

**Applicable door type for glass door lock GS-GL20**

Glass swing door

**Applicable door of Million Lock Series**

Wooden drawer	Wooden swing door	Wooden swing door	Wooden sliding door
Glass swing door	Glass swing door	Metal swing door	Metal swing door

SUPER RIM LOCK GLASS LOCK (W/KEY NUMBER CHANGE SYSTEM)

Under Development

TEMPERED GLASS

GS-GL50



\*This product is under development. The final shape may differ.

Use	Installation Surface	Key Changes	Master Key	Unlocking	Compatible Locks
Single door	Glass	Maximum 3 million key changes	-	Key released	Super Rim Lock Series

\*Maximum 300 changes per master key (made to order)

Features

- The key number can be changed easily without needing to change the cylinder, for outstanding cost performance (construction key system).
- Can be used with GS-GH50 glass hinge to create a unified design for glass display cases.
- Long, thick stainless steel deadbolt for robust, secure locking.
- Dimpled key design. Reversible key can be inserted and removed in any direction.
- A master key can be made to order for batch management.

Others

Master keys with no key number changes can also be made to order, with 3,000 key changes per master key.

Remarks

- If the key is lost, the old key can no longer be used after a new key is created.
- The key number can be changed up to 2 times.
- Old key numbers cannot be restored after changing.
- Read the remarks on handling the lock before use.

Parts Included

Mounting screw for strike

Sold Separately

Master key (made to order)

Recommended for shops selling luxury goods

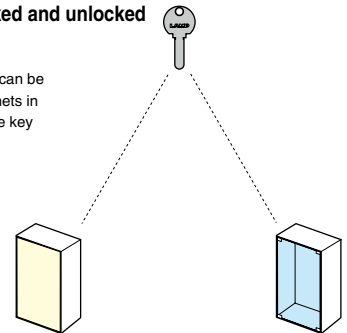


Key Changes **3 million**

Smooth key operation and solid deadbolt enabling secure locking make this product ideal for luxury boutiques.

Multiple cabinets can be locked and unlocked with the same key

As shown in the figure, the same key can be used to lock and unlock multiple cabinets in the Super Rim Lock Series if the same key number is specified.



MILLION LOCK CYLINDER GLASS LOCK (MILLION LOCK SERIES) **TEMPERED GLASS** 1310GL-SQ



Use	Installation Surface	Key Changes	Master Key	Unlocking	Compatible Locks
Single door	Glass	Maximum 1 million key changes	Made to order*	Key not removable	Million Lock Series

\*Maximum 2,520 changes per master key (made to order)

**Features**

- Clean, squared-off design.
- Can be used with the square glass hinge for a unified design.
- Cylinder lock is ideal for display cases.
- Dimpled key design. Reversible key can be inserted and removed in any direction.
- Turn 90° clockwise to unlock (the lock plate also rotates 90°).

**Recommended Hinge**

- Use with the following products is recommended.
  - HES3D-90 3-Way Adjustable Concealed Hinge
  - HES3D-G90BKT Glass Door Bracket
  - GH-450 Glass Hinge
  - GH-450G Glass Hinge

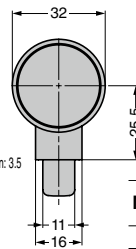
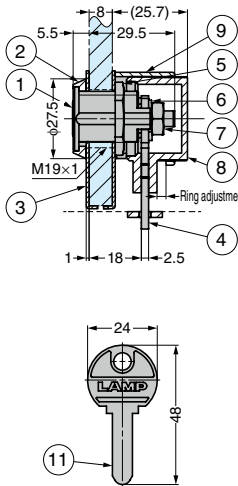
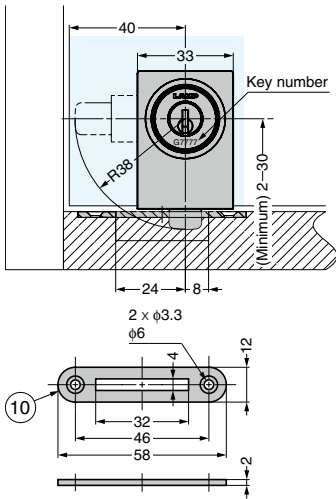
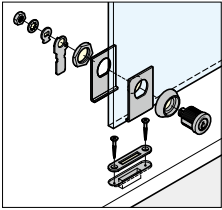
**Remarks**

- The direction of the lock plate cannot be changed.
- Handle the black type with care, as scratches will be noticeable.
- Read the remarks on handling the lock before use.

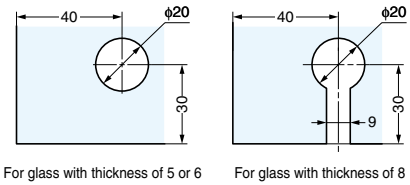
**Parts Included**

- Size 2.7 x 13 cross-recessed countersunk wooden screws (stainless steel)
- Key
- Strike

**Installation Specification Drawing**



**Glass Dimensions**



No.	Part Name	Material	Finish/Colour			
			SN	CR	GP	BL
①	Main Body	Free-Cut Brass	Satin	Chrome Plating	24K Gold Plating	Black
②	Square Decorative Ring		Nickel Plating	Polished		
③	Square Front Plate	Stainless Steel (SUS304)	Satin	Polished	Plain	
④	Lock Plate					
⑤	Hex Nut	Steel	Special Rustproof Coating/Silver			
⑥	Washer					
⑦	Hex Nut					
⑧	Cover	Polypropylene (PP)	Black			
⑨	Ring					
⑩	Strike	Stainless Steel (SUS304)	Polished	24K Gold Plating		
⑪	Key		Brass	Nickel Plating		

CAD	Item Code	Item Name	Finish	Key Type	Compatible glass thickness (mm)	Insertion/Removal*	Rotation Angle	Weight (g)	Box (pcs)	Carton (pcs)
2D/3D	150-042-262	1310GL-SQ-SN-B	Satin	Key Different	5 - 8	1 position	90°	147	12	60
2D/3D	150-001-439	1310GL-SQ-SN-D	Nickel Plating	Key Alike					12	60
2D/3D	150-042-111	1310GL-SQ-CR-B	Chrome Plating	Key Different					12	60
2D/3D	150-001-362	1310GL-SQ-CR-D		Key Alike					12	60
2D/3D	150-042-113	1310GL-SQ-GP-B	24K Gold Plating	Key Different					12	60
2D/3D	150-001-363	1310GL-SQ-GP-D		Key Alike					12	60
2D/3D	150-042-115	1310GL-SQ-BL-B	Black	Key Different					12	60
2D/3D	150-001-364	1310GL-SQ-BL-D		Key Alike					12	60

\*The key is not released when unlocked, preventing doors left unlocked by accident

**Multiple cabinets can be locked and unlocked with the same key**

As shown in the figure, the same key can be used to lock and unlock multiple cabinets in the Million Lock Series if the same key number is specified.

**Doors supported by this product**

**Glass single doors**

**Doors supported by other locks in the Million Lock Series**

**Wooden drawers**

**Wooden single doors**

**Wooden double doors**

**Wooden sliding doors**

**Glass single doors**

**Glass double doors**

**Sheet metal single doors**

**Sheet metal sliding doors**

# CABINET LOCK



5830



5830-30MK

### Features

- Interchangeable cylinder lock with Master Key system.
- Easy to replace cylinder by using Change Key 5830-K1 (below).
- Reversible key can be removed when locked and unlocked (180° rotation).
- Max. 3,120 key changes available. (Max. 780 key changes/Master Key)

### Remarks

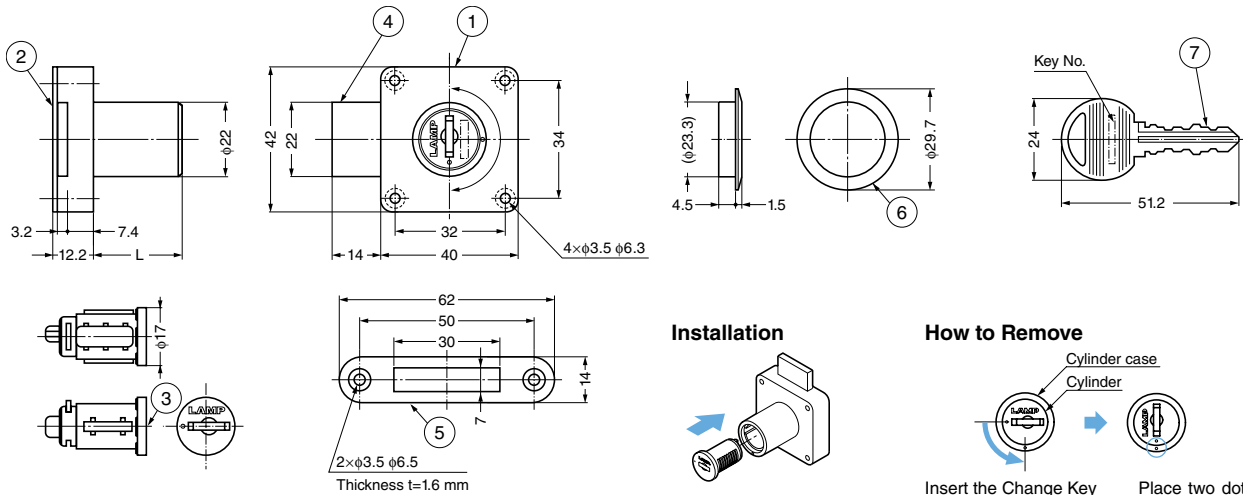
Replaceable cylinder (5830-N1) is made to order.

### Parts Included

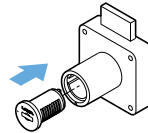
Countersunk head wood screw 3.1 × 13, 3.1 × 22 (SUS)

### Optional Parts

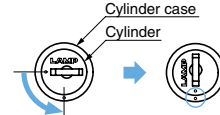
- Master Key 5830-MK1
- Change Key 5830-K1
- Spacer 5830-SP



### Installation



### How to Remove



Insert the Change Key and turn the cylinder 90° counter clockwise.

Place two dots in the same position and remove the cylinder.

### Body

Item Code	Item Name	Key Type	Cylinder Diameter	Door Thickness L	Weight	Box	Carton
150-001-006	5830-24MK-B	Key Different	φ22	24	155 g	12 pcs	60 pcs
150-060-060	5830-24MK-D	Key Alike	φ22	24	155 g	12 pcs	60 pcs
150-001-007	5830-30MK-B	Key Different	φ22	30	202 g	12 pcs	60 pcs
150-060-025	5830-30MK-D	Key Alike	φ22	30	202 g	12 pcs	60 pcs

### Master Key (Optional Parts)

Item Code	Item Name
150-001-009	5830-MK1

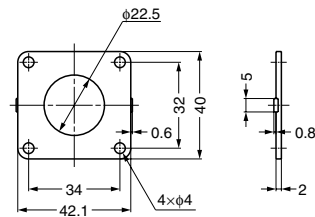
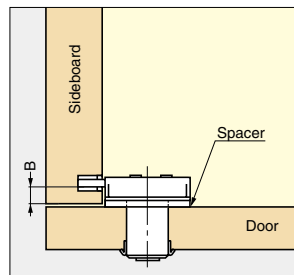
### Change Key (Optional Parts)

Item Code	Item Name
150-001-008	5830-K1

No.	Part Name	Material	Finish
①	Body	Zinc Alloy (ZDC)	Satin Nickel
②	Case Cover	Steel	Nickel
③	Cylinder (Inner)	Zinc Alloy (ZDC)	Satin Nickel
④	Dead Bolt	Steel	Nickel
⑤	Strike	Steel	Nickel
⑥	Ring	Brass	Satin Nickel
⑦	Key	Brass	Nickel

# SPACER

5830-SP



### Remarks

Distance spacer for 5830 cabinet lock.

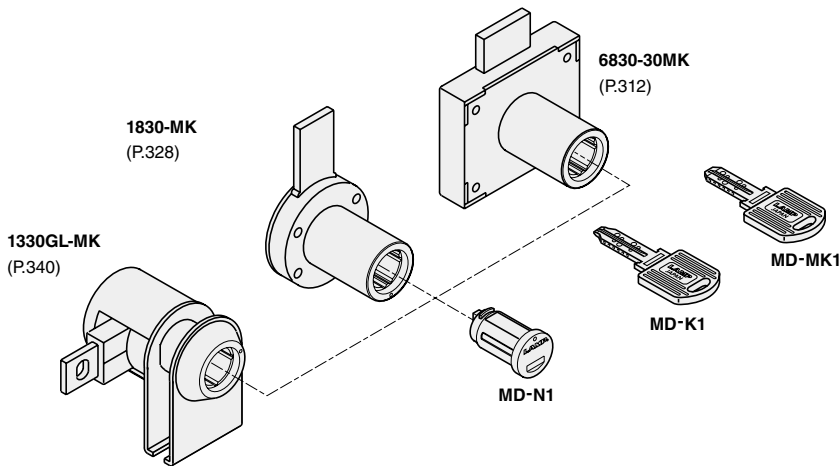
Item Code	Item Name	Material	Colour	Thickness	Weight	Box	Carton
150-060-569	5830-SP	ABS	White	2	2.7 g	200 pcs	2,000 pcs



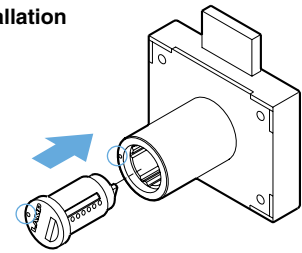
## INTERCHANGEABLE LOCK SERIES

### Features

- Cylinder changeable type with Master Key system.
- Interchangeable system allows easy key management.
- 7,800 key changes available.
  - Master Key (sold separately) can manage different key numbers. (Max. 750 key changes/Master Key)
- Reversible key.

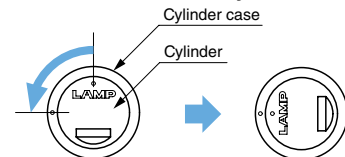


### Installation



Place two dots in the same position and insert the cylinder.

### How to Remove the Cylinder



Turn cylinder by using the Change Key (optional parts)

Place two dots in the same position

## INTERCHANGEABLE CYLINDER

## MD-N1



### Features

- For 6830-30MK, 1830-MK and 1330GL-MK.
- 7,800 key changes available. (Max. 750 key changes/Master Key)

Item Code	Item Name	Key Type	Material	Finish	Weight	Box	Carton
150-001-003	MD-N1-B	Key Different	Stainless Steel (SUS304)/Zinc Alloy (ZDC)	Polished/Yellow Zinc Chromate	50 g	12 pcs	60 pcs
150-001-126	MD-N1-D	Key Alike	Stainless Steel (SUS304)/Zinc Alloy (ZDC)	Polished/Yellow Zinc Chromate	50 g	12 pcs	60 pcs

## MASTER KEY & CHANGE KEY

## MD-MK1, MD-K1



### Features

- MD-MK1 - Master Key for easy key management.
- MD-K1 - Change Key to remove existing cylinder.

Item Code	Item Name	Type	Material	Finish/Colour	Weight	Box
150-001-002	MD-MK1	Master Key	Brass/ABS	Nickel/Black	13 g	1 pc
150-001-001	MD-K1	Change Key	Brass/ABS	Nickel/Black	13 g	1 pc

CABINET LOCK



6830-30MK

LOCKS



Features

- Interchangeable cylinder lock series with Master Key system.
- Easy to replace the cylinder by using the Change Key MD-K1.
- Reversible key can be removed when locked and unlocked (180° rotation).
- 7,800 key changes available. (Max. 750 key changes/Master Key)
- Keys can be shared with 1330GL-MK (P.340) and 1830-MK (P.328).

Remarks

Cylinder can be changed by using Change Key MD-K1.

Sold Separately

Cylinder MD-N1 (P.311)

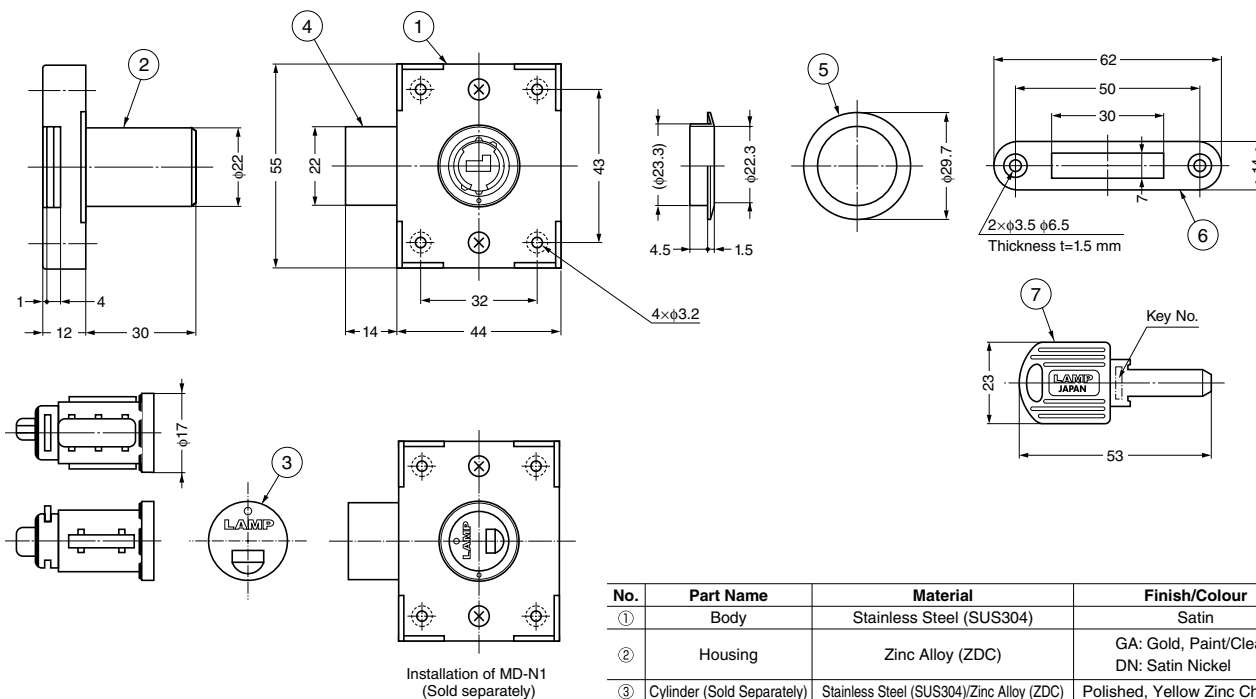
Parts Included

Countersunk head wood screw 2.7 × 13, 3.1 × 22 mm (SUS)

Optional Parts

- Master Key MD-MK1 (P.311)
- Change Key MD-K1 (P.311)
- Spacer 6810-SP (below)

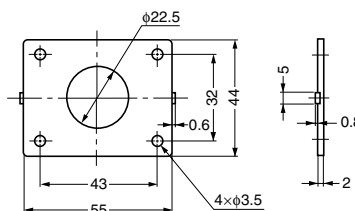
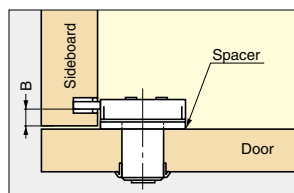
CABINET LOCK / SPACER



No.	Part Name	Material	Finish/Colour
①	Body	Stainless Steel (SUS304)	Satin
②	Housing	Zinc Alloy (ZDC)	GA: Gold, Paint/Clear DN: Satin Nickel
③	Cylinder (Sold Separately)	Stainless Steel (SUS304)/Zinc Alloy (ZDC)	Polished, Yellow Zinc Chromate
④	Dead Bolt	Stainless Steel (SUS304)	-
⑤	Ring	Brass	GA: Gold, Paint/Clear DN: Satin Nickel
⑥	Strike	Stainless Steel (SUS304)	Satin
⑦	Key (Sold Separately)	Brass/ABS	Nickel/Black

Item Code	Item Name	Finish	Cylinder Diameter	Door Thickness	Weight	Box	Carton
150-060-196	6830-30MKGA	Gold, Paint/Clear	φ22	30	180 g	12 pcs	60 pcs
150-060-193	6830-30MKDN	Satin Nickel	φ22	30	180 g	12 pcs	60 pcs

SPACER



6810-SP

Item Code	Item Name	Material	Colour	Thickness	Weight	Box	Carton
150-060-206	6810-SP	ABS	White	2	4.5 g	150 pcs	1,500 pcs



**CABINET LOCK** Million Lock Series



**7810**



**Features**

- For right-handed doors.
- High-security.
  - Reversible key. Turn the key 360° to lock or unlock.
- Available in Satin Nickel (NI), Chrome (CR), Black Chrome (BL), White (WT).
- Brass cylinder lock with stainless steel body.
- 1 million key changes available. Master Key system available at a surcharge. (Max. 2,520 key changes/Master Key.)
- Keys can be shared with other Million Lock Series.

**Parts Included**

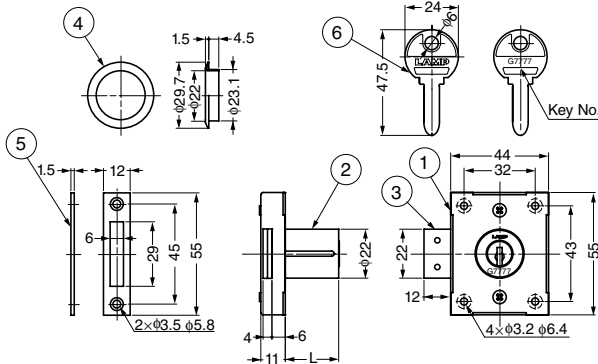
Countersunk head wood screw 2.7 × 1.3, 3.1 × 22 (SUS)

**Optional Parts**

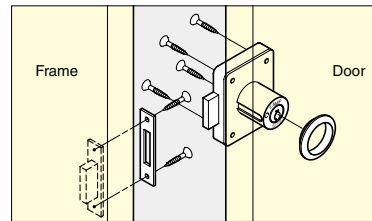
Spacer 6810-SP (P.312)



Dimpled key design.



**Installation**



No.	Part Name	Material	Finish		
			NI	CR	BL
①	Body	Stainless Steel (SUS304)	Satin	Satin	Satin
②	Cylinder	Brass	Satin Nickel	Chrome	Black Chrome
③	Dead Bolt	Stainless Steel (SUS304)	Plain	Plain	Plain
④	Ring	Brass	Satin Nickel	Chrome	Black Chrome
⑤	Strike	Stainless Steel (SUS304)	Satin	Satin	Black Chrome
⑥	Key	Brass	Nickel	Nickel	Nickel

**Removable Key when Unlocked (Without Master Key System)**

Item Code	Item Name	Key Type	Cylinder Diameter	Door Thickness	Finish	L	Weight	Box	Carton
150-017-504	7810-24NI-B	Key Different	φ22	22 - 24	Satin Nickel	24	190 g	12 pcs	60 pcs
150-001-207	7810-24NI-D	Key Alike	φ22	22 - 24	Satin Nickel	24	190 g	12 pcs	60 pcs
150-017-667	7810-24CR-B	Key Different	φ22	22 - 24	Chrome	24	190 g	12 pcs	60 pcs
150-001-210	7810-24CR-D	Key Alike	φ22	22 - 24	Chrome	24	190 g	12 pcs	60 pcs
150-028-531	7810-24BL-B	Key Different	φ22	22 - 24	Black Chrome	24	190 g	12 pcs	60 pcs
150-001-246	7810-24BL-D	Key Alike	φ22	22 - 24	Black Chrome	24	190 g	12 pcs	60 pcs
150-036-141	7810-24WT-B	Key Different	φ22	22 - 24	Painted/White	24	190 g	12 pcs	60 pcs
150-001-310	7810-24WT-D	Key Alike	φ22	22 - 24	Painted/White	24	190 g	12 pcs	60 pcs
150-017-513	7810-30NI-B	Key Different	φ22	28 - 30	Satin Nickel	30	210 g	12 pcs	60 pcs
150-001-208	7810-30NI-D	Key Alike	φ22	28 - 30	Satin Nickel	30	210 g	12 pcs	60 pcs
150-017-673	7810-30CR-B	Key Different	φ22	28 - 30	Chrome	30	210 g	12 pcs	60 pcs
150-001-213	7810-30CR-D	Key Alike	φ22	28 - 30	Chrome	30	210 g	12 pcs	60 pcs
150-028-533	7810-30BL-B	Key Different	φ22	28 - 30	Black Chrome	30	210 g	12 pcs	60 pcs
150-001-247	7810-30BL-D	Key Alike	φ22	28 - 30	Black Chrome	30	210 g	12 pcs	60 pcs
150-036-145	7810-30WT-B	Key Different	φ22	28 - 30	Painted/White	30	210 g	12 pcs	60 pcs
150-001-311	7810-30WT-D	Key Alike	φ22	28 - 30	Painted/White	30	210 g	12 pcs	60 pcs
150-017-520	7810-36NI-B	Key Different	φ22	34 - 36	Satin Nickel	36	225 g	12 pcs	60 pcs
150-001-209	7810-36NI-D	Key Alike	φ22	34 - 36	Satin Nickel	36	225 g	12 pcs	60 pcs
150-017-678	7810-36CR-B	Key Different	φ22	34 - 36	Chrome	36	225 g	12 pcs	60 pcs
150-001-212	7810-36CR-D	Key Alike	φ22	34 - 36	Chrome	36	225 g	12 pcs	60 pcs

Please contact us for the removable key when unlocked with Master Key system.

**Non-removable Key when Unlocked (With Master Key System)**

Item Code	Item Name	Key Type	Cylinder Diameter	Door Thickness	Finish	L	Weight	Box	Carton
150-024-595	7810-24NI-MK-R-B	Key Different	φ22	22 - 24	Satin Nickel	24	190 g	12 pcs	60 pcs



CABINET LOCK Million Lock Series



7810K

LOCKS

CABINET LOCK



7810K-24-SNI-L

Features

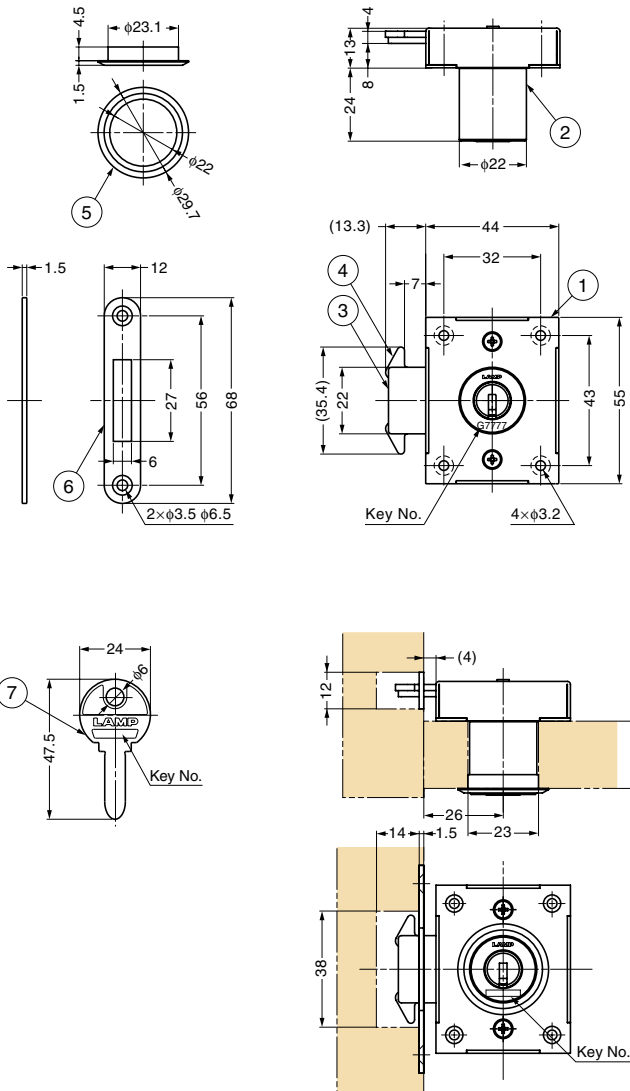
- Can be used in single sliding door and single swing door.
- Reversible key.
- Turn the key 360° to lock or unlock.
- Special dead bolt for high security.
- 1 million key changes available.
- Master Key system available at surcharge.  
(Max. 2,520 key changes/Master Key.)
- Keys can be shared with other Million Lock Series.

Parts Included

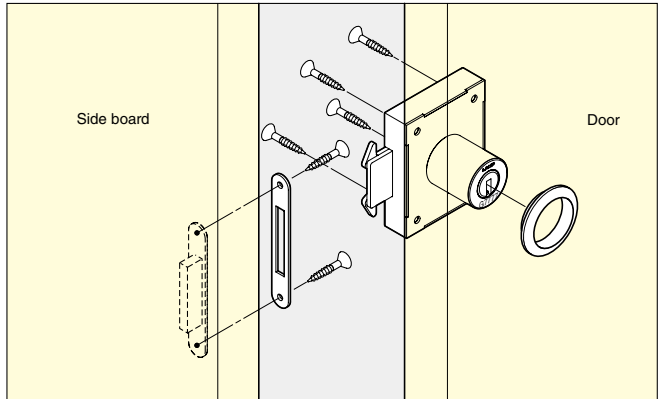
Countersunk head wood screw 3.1x22, 2.7x13 (SUS)

Optional Parts

Spacer 6810-SP (P.312)



Installation



No.	Part Name	Material	Finish
①	Body	Stainless Steel (SUS304)	Satin
②	Cylinder	Brass	Satin Nickel, Chrome
③	Dead Bolt	Stainless Steel (SUS304)	Plain
④	Latch	Stainless Steel (SUS304)	Polished
⑤	Ring	Brass	Satin Nickel, Chrome
⑥	Strike	Stainless Steel (SUS304)	Satin
⑦	Key	Brass	Nickel

Item Code	Item Name	Style	Cylinder Finish	Key Type	Cylinder Diameter	Door Thickness	Weight	Box	Carton
150-028-732	7810K-24-SNI-L-B	For right-handed door	Satin Nickel	Key Different	φ22	22 - 24	160 g	12 pcs	60 pcs
150-001-242	7810K-24-SNI-L-D	For right-handed door	Satin Nickel	Key Alike	φ22	22 - 24	160 g	12 pcs	60 pcs
150-028-734	7810K-24-CR-L-B	For right-handed door	Chrome	Key Different	φ22	22 - 24	160 g	12 pcs	60 pcs
150-001-243	7810K-24-CR-L-D	For right-handed door	Chrome	Key Alike	φ22	22 - 24	160 g	12 pcs	60 pcs
150-028-936	7810K-24-SNI-R-B	For left-handed door	Satin Nickel	Key Different	φ22	22 - 24	160 g	12 pcs	60 pcs
150-001-244	7810K-24-SNI-R-D	For left-handed door	Satin Nickel	Key Alike	φ22	22 - 24	160 g	12 pcs	60 pcs
150-028-938	7810K-24-CR-R-B	For left-handed door	Chrome	Key Different	φ22	22 - 24	160 g	12 pcs	60 pcs
150-001-245	7810K-24-CR-R-D	For left-handed door	Chrome	Key Alike	φ22	22 - 24	160 g	12 pcs	60 pcs

Please contact us for this item with Master Key system.



# CABINET LOCK



8810



8810-24

### Features

- Brass cylinder lock with stainless steel body.
- Construction Key System - Key number is changeable without replacing cylinder. (Key number can be changed twice.)
- Reversible key can be removed when locked and unlocked. (360° rotation)
- 3 million key changes available (Max. 300 key changes/Master Key).

### Remarks

Previous key and key number cannot be used again after changing key number.

### Parts Included

- Countersunk head wood screw 3.1 × 25 (for body)
- Countersunk head wood screw 3.1 × 13 (for strike)

### Optional Parts

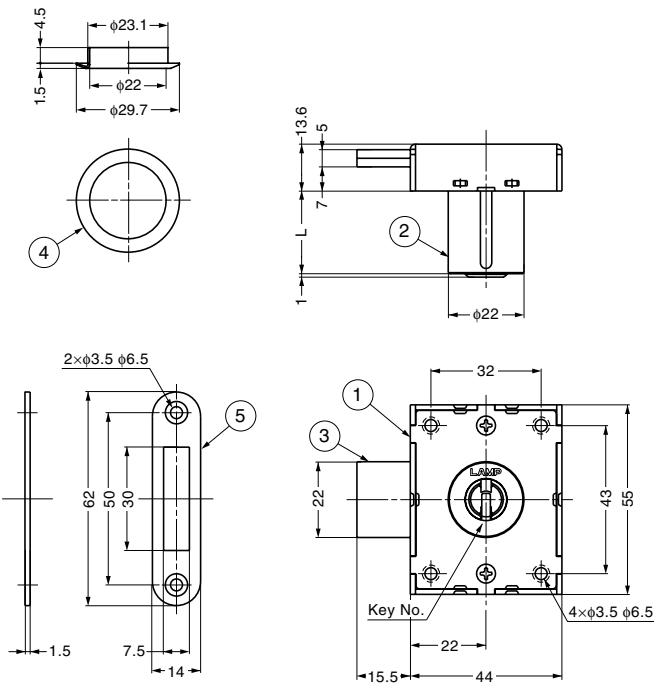
- Master Key (made to order)
- Spacer 6810-SP (P.312)

### How to Change Key

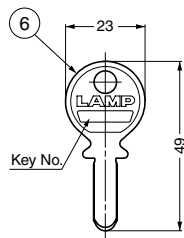
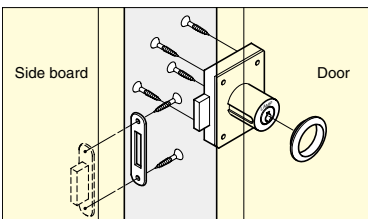
- Each lock includes keys for the original key number only.
- To change the lock's key number insert the new key and rotate 360°.
- After changing the lock's key number, the previous used key cannot open the lock.
- 1st and 2nd change keys are sold separately.

### Combined Usage with Key and Master Key

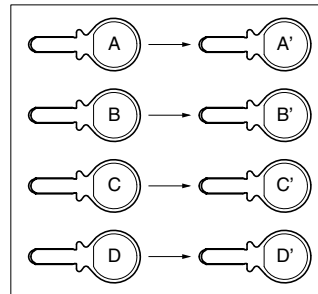
- Changing the master keys for each key number is possible.
- Master keys must be also changed after the lock's key number is changed.
- In case only some of the locks' key numbers in Master Key system are changed, master keys for that portion should still be kept.



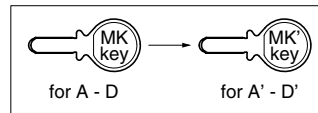
### Installation



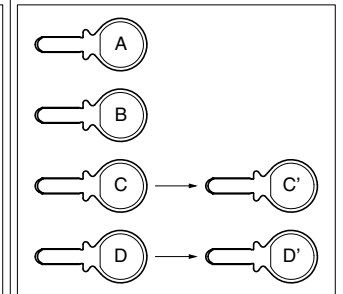
When all keys are changed...



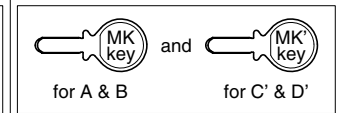
Master Key also needs to be changed.



When some keys are changed...



Both the current Master Key and the new Master Key should be kept.



No.	Part Name	Material	Finish/Colour
①	Body	Stainless Steel (SUS304)	Satin
②	Cylinder	Brass	Nickel
③	Dead Bolt	Stainless Steel (SUS304)	-
④	Ring	Brass	Satin Nickel
⑤	Strike	Stainless Steel (SUS304)	Satin
⑥	Key	Nickel Silver	Polished

Item Code	Item Name	Key Type	Master Key System	Cylinder Diameter	Door Thickness	L	Weight	Box	Carton
150-022-338	8810-24MK-B	Key Different	With	φ22	22 - 24	24	190 g	12 pcs	60 pcs
150-022-337	8810-24-B	Key Different	Without	φ22	22 - 24	24	190 g	12 pcs	60 pcs
150-001-221	8810-24-D	Key Alike	Without	φ22	22 - 24	24	190 g	12 pcs	60 pcs
150-029-317	8810-36MK-B	Key Different	With	φ22	34 - 36	36	220 g	12 pcs	60 pcs
150-029-316	8810-36-B	Key Different	Without	φ22	34 - 36	36	220 g	12 pcs	60 pcs
150-001-241	8810-36-D	Key Alike	Without	φ22	34 - 36	36	220 g	12 pcs	60 pcs

CABINET LOCK WITH INDICATOR 2200 Lock Series



2200QL



Features

- For drawer and cabinet door application.
- Only 45° rotation is needed to unlock/lock the door.
- Key automatically returns to original position.
- With indicator: Unlocked - Blue, Locked - Red.
- 300 key changes available.
- Master Key system available at surcharge.  
(Max. 170 key changes/Master Key.)
- Keys can be shared with other 2200 Lock Series.

Parts Included

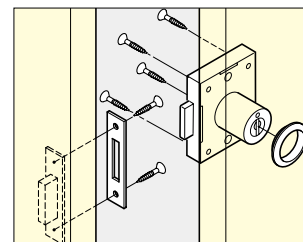
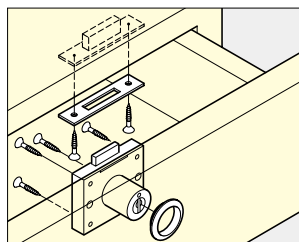
Countersunk head wood screw 3.1 × 20, 2.1 × 10 (SUS)

Optional Parts

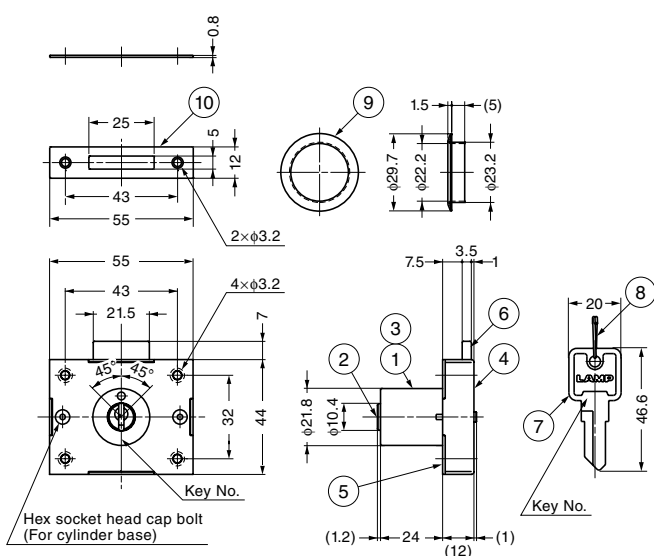
Spacer 6810-SP (P.312)



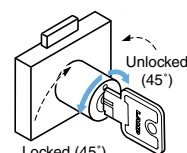
Installation



(This application is available at surcharge.)



Lock/Unlock



Key automatically returns to original position.

No.	Part Name	Material	Finish
①	Cylinder (Outer)	Zinc Alloy (ZDC)	Yellow Zinc Chromate
②	Cylinder (Inner)	Zinc Alloy (ZDC)	Satin Nickel
③	Body Pipe	Brass	Satin Nickel
④	Body	Stainless Steel (SUS304)	Plain
⑤	Cylinder Base	Stainless Steel (SUS304)	Plain
⑥	Dead Bolt	Zinc Alloy (ZDC)	Nickel
⑦	Key	Brass	Nickel
⑧	Key Ring	Stainless Steel (SUS304)	Plain
⑨	Surface Ring	Brass	Satin Nickel
⑩	Strike	Stainless Steel (SUS304)	Plain

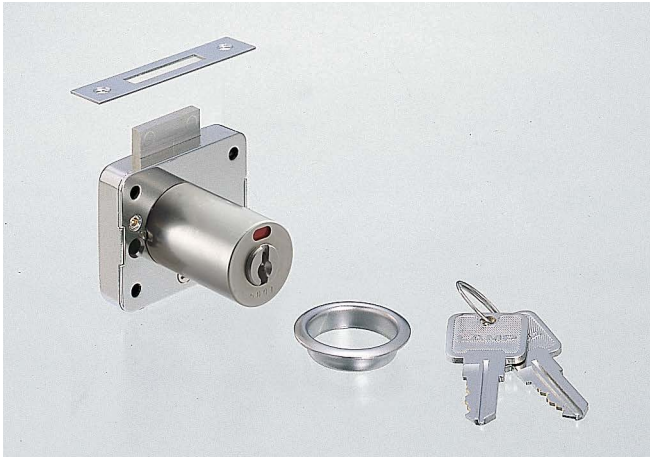
Item Code	Item Name	Key Type	Cylinder Diameter	Door Thickness	Weight	Box	Carton
150-012-927	2200QL-24-B	Key Different	φ21.8	24	200 g	12 pcs	60 pcs
150-012-926	2200QL-24-D	Key Alike	φ21.8	24	200 g	12 pcs	60 pcs

Please contact us for this item with Master Key system.

**CABINET LOCK WITH INDICATOR** 2200 Lock Series



**2200**



**Features**

- For drawer and cabinet door application.
- With indicator: Unlocked - Blue, Locked - Red.
- 12 key changes available. (Max. 300 key changes as special order)
- Master Key system (170 key changes) available at surcharge. (1 Master Key only.)
- Keys can be shared with other 2200 Lock Series.

**Parts Included**

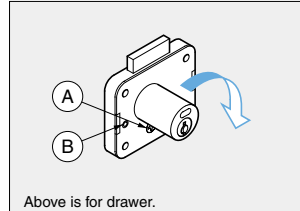
Countersunk head wood screw 3.1 x 20, 2.1 x 10 (SUS)

**Optional Parts**

Spacer TSSP (P.324)



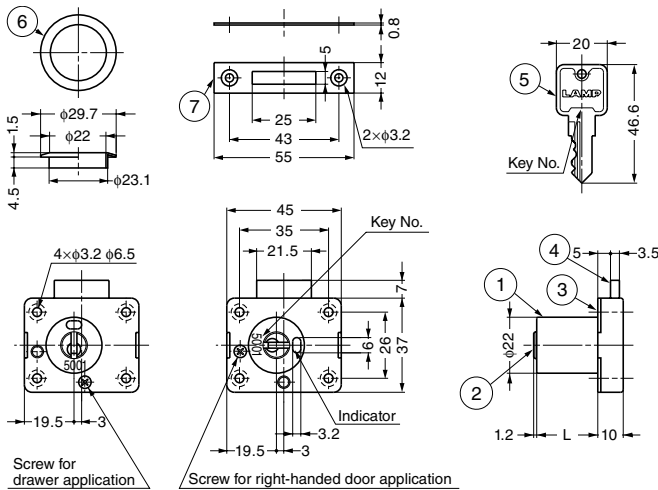
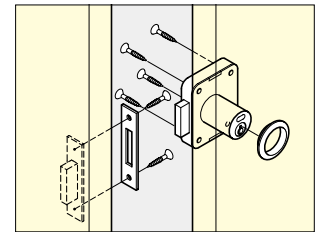
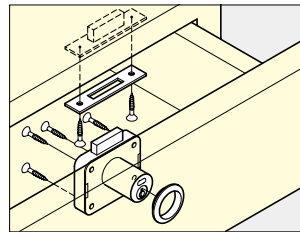
**How to Switch: for Drawer/Right-handed Door Application**



Above is for drawer.

- ① Remove screw (A).
- ② Turn the lock cylinder 90° (clockwise for door application).
- ③ Fix the screw in (B).
- ④ Indicator is to be forwarded upside.

**Installation**



LOCKS

CABINET LOCK WITH INDICATOR

No.	Part Name	Material	Finish
①	Cylinder (Outer)	Zinc Alloy (ZDC)	Satin Nickel
②	Cylinder (Inner)	Zinc Alloy (ZDC)	Satin Nickel
③	Body	Brass	Nickel
④	Dead Bolt	Brass	Nickel
⑤	Key	Brass	Nickel
⑥	Ring	Brass	Satin Nickel
⑦	Strike	Stainless Steel (SUS304)	Plain

Item Code	Item Name	Key Type	Cylinder Diameter	Door Thickness	L	Weight	Box	Carton
150-060-413	2200-24-B	Key Different	$\phi 22$	24	24	115 g	12 pcs	120 pcs
150-060-412	2200-24-D	Key Alike	$\phi 22$	24	24	115 g	12 pcs	120 pcs
150-060-415	2200-30-B	Key Different	$\phi 22$	30	30	141 g	12 pcs	120 pcs
150-060-414	2200-30-D	Key Alike	$\phi 22$	30	30	141 g	12 pcs	120 pcs

Please contact us for this item with Master Key system.



# CABINET LOCK 2100 Lock Series



2100



### Features

- For drawer and cabinet door application.
- 12 key changes available.
- Keys can be shared with other 2100 Lock Series.
- Cylinder and Ring can be made with polished finish at surcharge.

### Parts Included

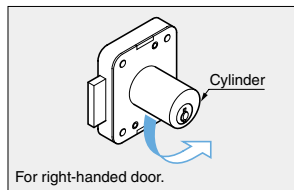
Countersunk head wood screw 3.1 × 20, 2.1 × 10 (SUS)

### Optional Parts

Spacer TSSP (P.324)



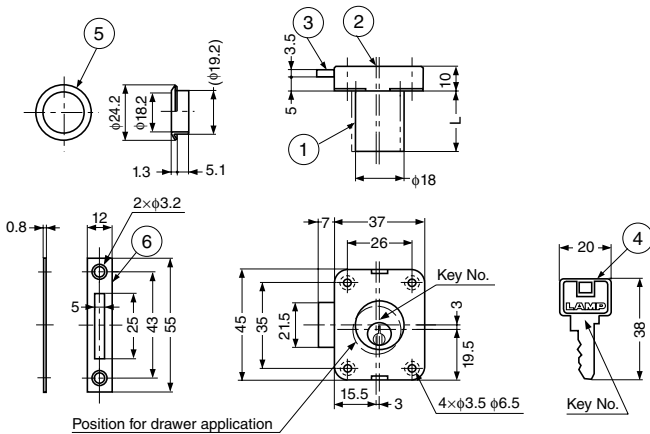
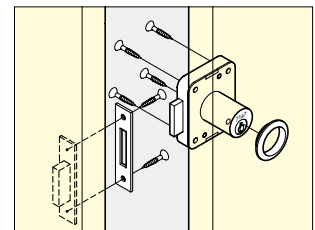
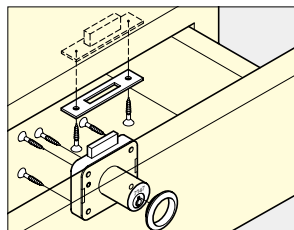
### How to Switch: for Drawer/Right-handed Door Application



For right-handed door.

- Turn lock cylinder 90° (counter clockwise for drawer).
- Key No. is to be forwarded upside.

### Installation



No.	Part Name	Material	Finish
①	Cylinder	Brass	Satin Nickel
②	Body	Brass	Nickel
③	Dead Bolt	Brass	Nickel
④	Key	Brass	Nickel
⑤	Ring	Brass	Satin Nickel
⑥	Strike	Stainless Steel (SUS304)	Plain

Item Code	Item Name	Key Type	Cylinder Diameter	Door Thickness	L	Weight	Box	Carton
150-001-013	2100-24-B	Key Different	φ18	24	24	116 g	12 pcs	120 pcs
150-001-014	2100-24-D	Key Alike	φ18	24	24	116 g	12 pcs	120 pcs
150-001-015	2100-30-B	Key Different	φ18	30	30	125 g	12 pcs	120 pcs
150-001-016	2100-30-D	Key Alike	φ18	30	30	125 g	12 pcs	120 pcs





# STAINLESS STEEL CABINET LOCK



3810S



### Features

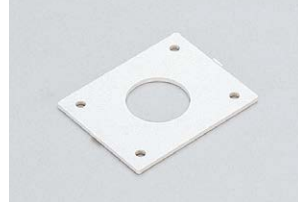
- For drawer and cabinet door application.
- Keys can be shared with 3800S (P.351).
- Reversible key can be removed when locked and unlocked (360° rotation).
- 12 key changes available. (Max. 300 key changes as special order)
- Master Key system (300 key changes) available at a surcharge. (1 Master Key only.)

### Parts Included

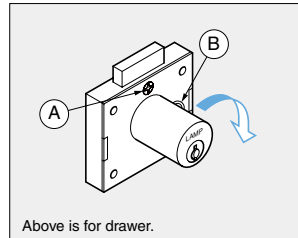
Countersunk head wood screw 3.1 × 20, 2.1 × 10 (SUS)

### Optional Parts

Spacer 6810-SP (P.312)



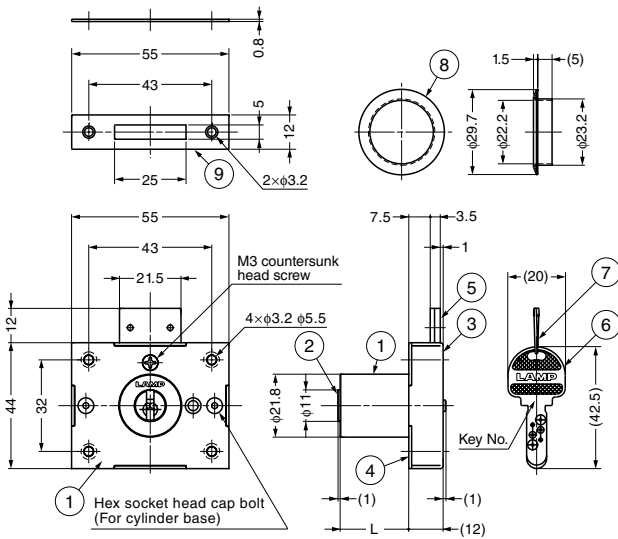
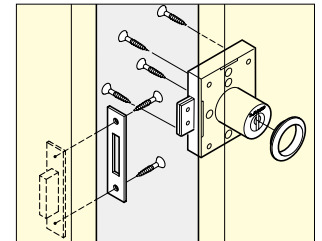
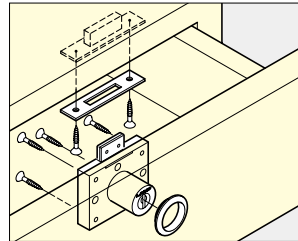
### How to Switch: for Drawer/Right-handed Door Application



Above is for drawer.

- ① Remove screw (A).
- ② Turn lock cylinder 90° (clockwise for door application).
- ③ Fix screw in (B).
- ④ The logo "LAMP" is to be forwarded upside.

### Installation



No.	Part Name	Material	Finish
①	Cylinder (Outer)	Stainless Steel (SUS303)	Satin
②	Cylinder (Inner)	Stainless Steel (SUS303)	Plain
③	Body	Stainless Steel (SUS304)	Plain
④	Cylinder Base	Stainless Steel (SUS304)	Plain
⑤	Dead Bolt	Stainless Steel (SUS304)	Plain
⑥	Key	Nickel Silver	Plain
⑦	Key Ring	Stainless Steel (SUS304)	Plain
⑧	Surface Ring	Stainless Steel (SUS304)	Plain
⑨	Strike	Stainless Steel (SUS304)	Plain

\*Cylinder pin is made of brass.

Item Code	Item Name	Key Type	Cylinder Diameter	L	Door Thickness	Weight	Box	Carton
150-012-923	3810S-24-B	Key Different	φ21.8	24	24	180 g	12 pcs	60 pcs
150-012-922	3810S-24-D	Key Alike	φ21.8	24	24	180 g	12 pcs	60 pcs
150-012-925	3810S-30-B	Key Different	φ21.8	30	30	195 g	12 pcs	60 pcs
150-012-924	3810S-30-D	Key Alike	φ21.8	30	30	195 g	12 pcs	60 pcs

# CABINET LOCK 3310 Lock Series



3310



### Features

- For drawer and cabinet door application.
- 156 key changes available.
- Keys can be shared with other 3310 Lock Series.
- Can be made with polished finish at surcharge.

### Parts Included

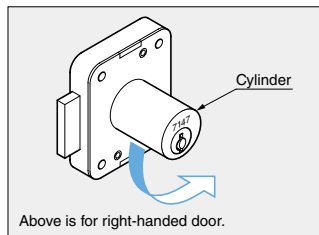
Countersunk head wood screw 3.1 × 20, 2.1 × 10 (SUS)

### Optional Parts

Spacer TSSP (P.324)



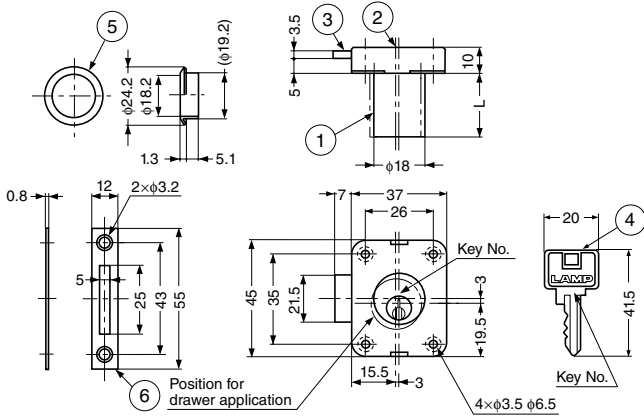
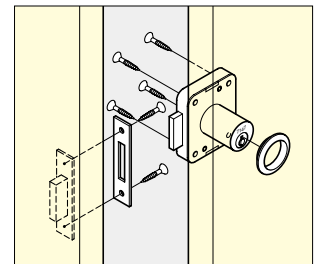
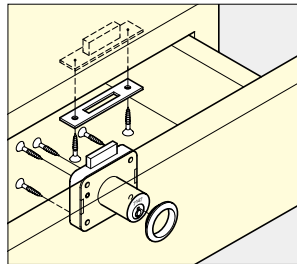
### How to Switch: for Drawer/Right-handed Door Application



Above is for right-handed door.

- Turn the lock cylinder 90° (counter clockwise for drawer).
- Key No. is to be forwarded upside.

### Installation



No.	Part Name	Material	Finish
①	Cylinder	Brass	Satin Nickel
②	Body	Brass	Nickel
③	Dead Bolt	Brass	Nickel
④	Key	Brass	Nickel
⑤	Ring	Brass	Satin Nickel
⑥	Strike	Stainless Steel (SUS304)	Plain

Item Code	Item Name	Key Type	Cylinder Diameter	Door Thickness	L	Weight	Box	Carton
150-063-600	3310-24-B	Key Different	$\phi 18$	24	24	116 g	12 pcs	120 pcs
150-001-017	3310-24-D	Key Alike	$\phi 18$	24	24	116 g	12 pcs	120 pcs
150-063-610	3310-30-B	Key Different	$\phi 18$	30	30	125 g	12 pcs	120 pcs
150-001-018	3310-30-D	Key Alike	$\phi 18$	30	30	125 g	12 pcs	120 pcs



CABINET LOCK 3310 Lock Series



3320



Features

- For drawer and cabinet door application.
- Key is not removable in unlocked position.
- 156 key changes available.
- Keys can be shared with other 3310 Lock Series.

Parts Included

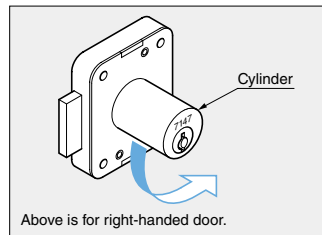
Countersunk head wood screw 3.1 × 20, 2.1 × 10 (SUS)

Optional Parts

Spacer TSSP (P.324)



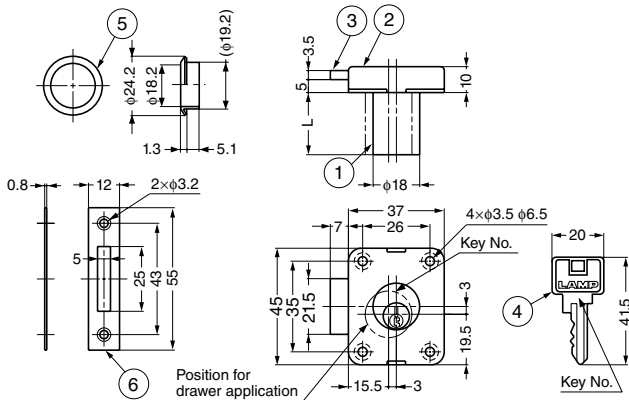
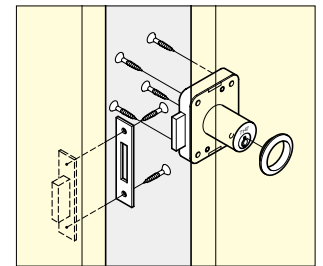
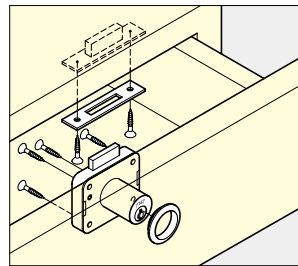
How to Switch: for Drawer/Right-handed Door Application



Above is for right-handed door.

- Turn the lock cylinder 90° (counter clockwise for drawer).
- Key No. is to be forwarded upside.

Installation



No.	Part Name	Material	Finish
①	Cylinder	Brass	Satin Nickel
②	Body	Brass	Nickel
③	Dead Bolt	Brass	Nickel
④	Key	Brass	Nickel
⑤	Ring	Brass	Satin Nickel
⑥	Strike	Stainless Steel (SUS304)	-

Item Code	Item Name	Key Type	Cylinder Diameter	Door Thickness	L	Weight	Box	Carton
150-065-956	3320-24-B	Key Different	φ18	24	24	123 g	12 pcs	120 pcs
150-001-019	3320-24-D	Key Alike	φ18	24	24	123 g	12 pcs	120 pcs
150-065-974	3320-30-B	Key Different	φ18	30	30	135 g	12 pcs	120 pcs
150-001-020	3320-30-D	Key Alike	φ18	30	30	135 g	12 pcs	120 pcs





CABINET LOCK

LOCKS

CABINET LOCK



Features

- For drawers and cabinet door application.
- 300 key changes available. (Max. 80 key changes/Master Key)
- Keys can be shared with the previous 2520 model.
- Gold finish is available at surcharge.

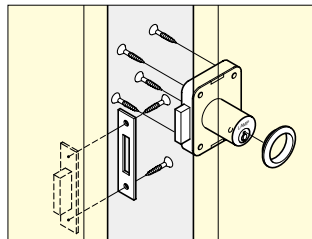
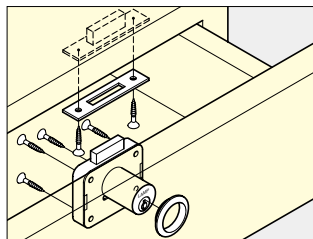
Parts Included

Countersunk head wood screw 3.1 × 20, 2.1 × 10

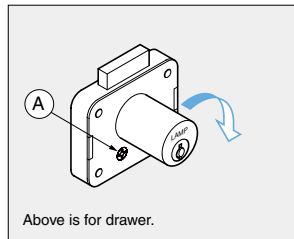
Optional Parts

- Master Key 2550MK
- Spacer 2550-SP (below)

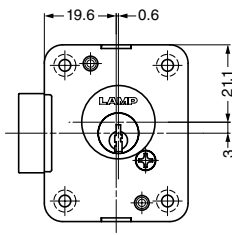
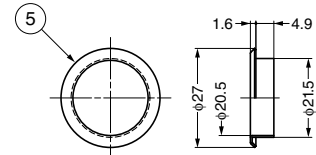
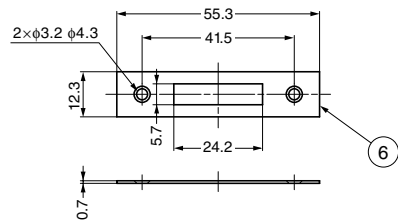
Installation



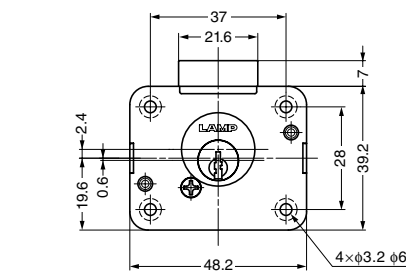
How to Switch: for Drawer/Right-handed Door Application



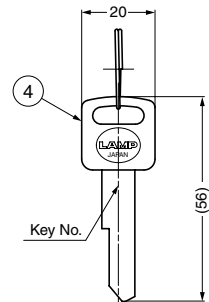
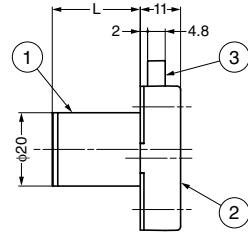
- ① Remove the screw (A).
- ② Turn the lock cylinder 90° (clockwise for door application).
- ③ Fix the screw in (B).
- ④ The logo "LAMP" is to be forwarded upside.



Right-handed door



Drawer



Body

Item Code	Item Name	Key Type	Master Key System	Cylinder Diameter	Door Thickness	L	Weight	Box	Carton
150-001-216	2550-24-DN-MK-B	Key Different	With	φ20	24	24	140 g	12 pcs	120 pcs
150-022-051	2550-24-DN-B	Key Different	Without	φ20	24	24	140 g	12 pcs	120 pcs
150-001-214	2550-24-DN-D	Key Alike	Without	φ20	24	24	140 g	12 pcs	120 pcs
150-001-217	2550-36-DN-MK-B	Key Different	With	φ20	36	36	170 g	12 pcs	120 pcs
150-022-054	2550-36-DN-B	Key Different	Without	φ20	36	36	170 g	12 pcs	120 pcs
150-001-215	2550-36-DN-D	Key Alike	Without	φ20	36	36	170 g	12 pcs	120 pcs

Master Key (Sold Separately)

Item Code	Item Name
150-022-387	2550MK

Spacer (Sold Separately)

Item Code	Item Name	Material	Colour	Thickness
150-029-319	2550-SP	Polyamide (PA)	White	2

No.	Part Name	Material	Finish
①	Cylinder	Brass	Nickel
②	Body	Zinc Alloy (ZDC)	Nickel
③	Dead Bolt	Zinc Alloy (ZDC)	Nickel
④	Key	Brass/Resin	Nickel/Black
⑤	Ring	Brass	Nickel
⑥	Strike	Brass	Nickel



# CABINET LOCK



2650



### Features

- For drawers and cabinet door application.
- 2650-16 : 48 key changes / 2650-22, 2650-30 : 120 key changes.
- 48 key numbers can be shared with the whole 2650 Lock Series.
- Gold finish is available at surcharge.

### Parts Included

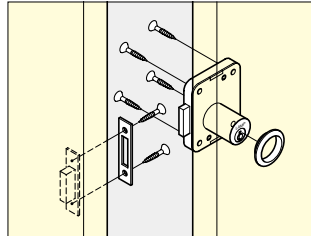
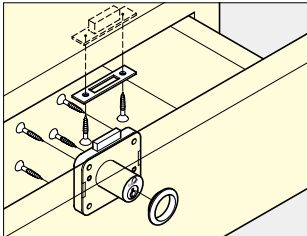
Countersunk head wood screw 3.1 x 20, 2.1 x 10

### Optional Parts

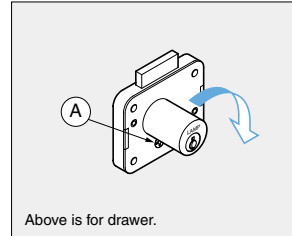
Spacer TSSP (P.324)



### Installation

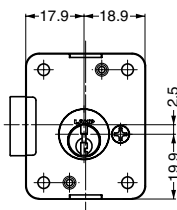
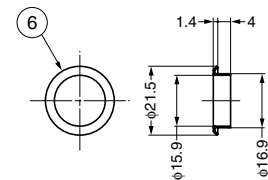
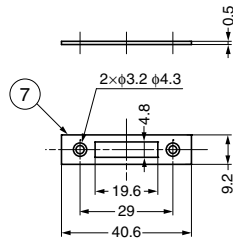


### How to Switch: for Drawer/Right-handed Door Application

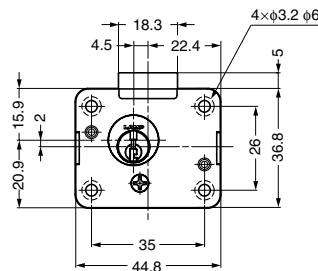


- ① Remove the screw (A).
- ② Turn the lock cylinder 90° (clockwise for door application).
- ③ Fix the screw in (B).
- ④ The logo "LAMP" is to be forwarded upside.

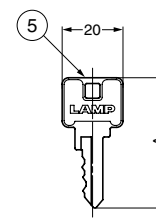
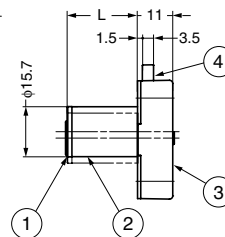
Above is for drawer.



Right-handed door



Drawer



No.	Part Name	Material	Finish
①	Cylinder (Inner)	Zinc Alloy (ZDC)	Nickel
②	Cylinder (Outer)	Brass	Nickel
③	Body	Zinc Alloy (ZDC)	Nickel
④	Dead Bolt	Zinc Alloy (ZDC)	Nickel
⑤	Key	Brass	Nickel
⑥	Ring	Brass	Nickel
⑦	Strike	Brass	Plain

Item Code	Item Name	Key Type	Cylinder Diameter	Sheet Metal Thickness	L	A	Weight	Box	Carton
150-022-061	2650-16-DN-B	Key Different	φ15.7	16	16	38	81.5 g	12 pcs	120 pcs
150-001-218	2650-16-DN-D	Key Alike	φ15.7	16	16	38	81.5 g	12 pcs	120 pcs
150-022-064	2650-22-DN-B	Key Different	φ15.7	22	22	42	89.5 g	12 pcs	120 pcs
150-001-219	2650-22-DN-D	Key Alike	φ15.7	22	22	42	89.5 g	12 pcs	120 pcs
150-022-067	2650-30-DN-B	Key Different	φ15.7	30	30	42	98 g	12 pcs	120 pcs
150-001-220	2650-30-DN-D	Key Alike	φ15.7	30	30	42	98 g	12 pcs	120 pcs

STRIKE

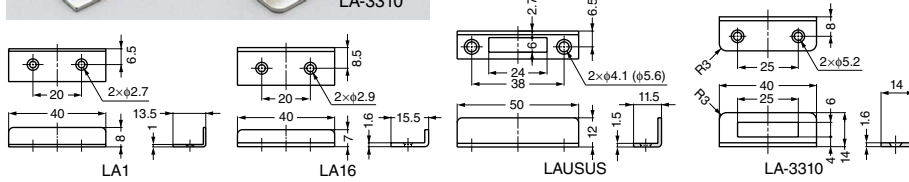
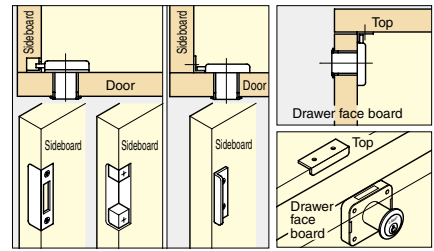
LA



Features

- Optional strike plates (for the place, dead bolt is close to the cabinet edge, or for inset door).
- LA-3310 is for double door application of 3310 series and 3320 series.

Installation



Item Code	Item Name	Material	Finish	Weight	Box
150-060-204	LA1	Steel	Nickel	6 g	400 pcs
150-069-115	LA16	Steel	Nickel	9 g	400 pcs
150-069-023	LAUSUS	Stainless Steel (SUS304)	Satin	10 g	250 pcs
150-060-669	LA-3310	Steel	Nickel	11 g	100 pcs

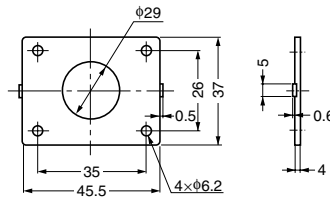
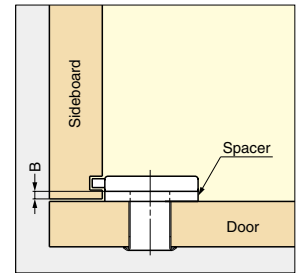
SPACER

TSSP



Features

Use when the additional distance on dimension B is required. (Multiple spacers can be used if needed)



Item Code	Item Name	Material	Colour	Thickness	Weight	Box	Carton
150-060-148	TSSP-W	ABS	White	4	14 g	150 pcs	1,500 pcs
150-060-149	TSSP-B	ABS	Black	4	14 g	150 pcs	1,500 pcs

PUSH LOCK



2150M, 2160M



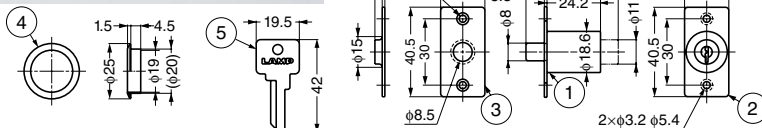
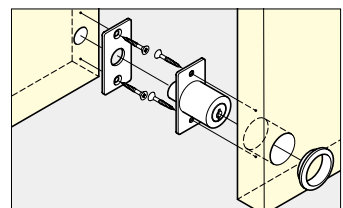
Features

- For sliding doors.
- 2150M - Lock to push the cylinder.
- 2160M - Lock to insert key and push the cylinder.
- 24 key changes available.
- For metal sheet: 2150B and 2160B (P.347).
- Keys can be shared with 2150M, 2160M, 2150B and 2160B Lock Series.

Parts Included

Countersunk head wood screw 2.7 × 16

Installation



Item Code	Item Name	Key Type	How to Lock	Cylinder Diameter	Door Thickness	Weight	Box	Carton
150-060-067	2150M-B	Key Different	Without Key	φ18.6	24	50 g	24 pcs	240 pcs
150-060-068	2150M-D	Key Alike	Without Key	φ18.6	24	50 g	24 pcs	240 pcs
150-060-071	2160M-B	Key Different	With Key	φ18.6	24	50 g	24 pcs	240 pcs
150-060-072	2160M-D	Key Alike	With Key	φ18.6	24	50 g	24 pcs	240 pcs

No.	Part Name	Material	Finish
①	Body	Zinc Alloy (ZDC)	Nickel
②	Mounting Plate	Brass	Nickel
③	Strike	Brass	Nickel
④	Ring	Brass	Nickel
⑤	Key	Brass	Nickel

**PUSH LOCK** Million Lock Series



**2300M**



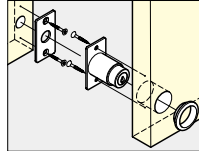
**Features**

- For sliding doors.
- 1 million key changes available.
- Master Key system available at surcharge. (Max. 2,520 key changes/Master Key.)
- Keys can be shared with Million Lock Series.

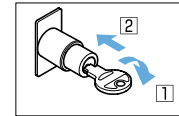
**Parts Included**

Countersunk head wood screw 2.7 × 16 (SUS)

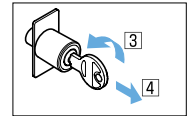
**Installation**



**Lock**

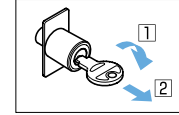


Turn key 90° to the right, push in.

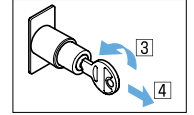


Turn key 90° to the left, and remove.

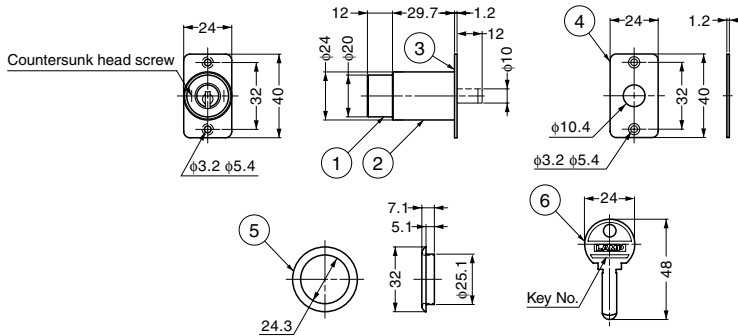
**Unlock**



Turn key 90° to the right and lock will automatically disengage.



Turn the key 90° back and remove.



No.	Part Name	Material	Finish
①	Body	Brass	Chrome
②	Cylinder Case	Zinc Alloy (ZDC)	Chrome
③	Mounting Plate	Stainless Steel (SUS304)	Polished
④	Strike	Stainless Steel (SUS304)	Polished
⑤	Ring	Brass	Chrome
⑥	Key	Brass	Nickel

Item Code	Item Name	Key Type	Cylinder Diameter	Door Thickness	Weight	Box	Carton
150-022-924	2300M-B	Key Different	φ24	30	100 g	12 pcs	60 pcs
150-001-232	2300M-D	Key Alike	φ24	30	100 g	12 pcs	60 pcs

**PUSH LOCK**



**2400M**



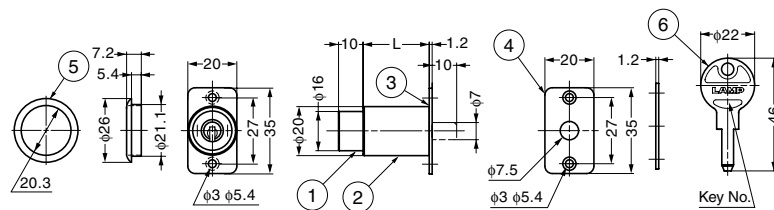
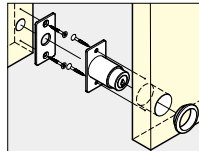
**Features**

- For sliding doors.
- Push the cylinder to lock without the using key.
- Turn key 45° to the right to unlock. Turn key 45° to the left to lock and remove the key.
- 47,000 key changes available.
- Master Key system available at surcharge. (Max. 1,000 key changes/Master Key.)

**Parts Included**

Countersunk head wood screw 2.7 × 16 (SUS)

**Installation**



No.	Part Name	Material	Finish
①	Body	Brass	Chrome
②	Cylinder Case	Zinc Alloy (ZDC)	Chrome
③	Mounting Plate	Stainless Steel (SUS304)	Polished
④	Strike	Stainless Steel (SUS304)	Polished
⑤	Ring	Brass	Chrome
⑥	Key	Brass	Nickel

Item Code	Item Name	Key Type	Cylinder Diameter	Door Thickness	L	Weight	Box	Carton
150-022-926	2400M-20-B	Key Different	φ20	20	22	65 g	12 pcs	60 pcs
150-001-230	2400M-20-D	Key Alike	φ20	20	22	65 g	12 pcs	60 pcs
150-022-925	2400M-25-B	Key Different	φ20	25	27	70 g	12 pcs	60 pcs
150-001-231	2400M-25-D	Key Alike	φ20	25	27	70 g	12 pcs	60 pcs

## PUSH LOCK 2100 Lock Series



### 2100M



#### Features

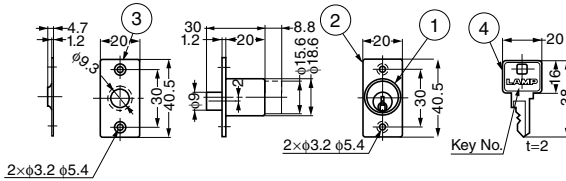
- For sliding doors.
- Push the cylinder to lock without using the key.
- 12 key changes available.
- Keys can be shared with 2100 Lock Series.

#### Remarks

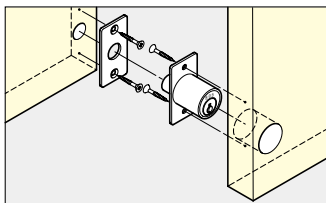
Master Key is not available.

#### Parts Included

Countersunk head wood screw 2.7 × 16



#### Installation



No.	Part Name	Material	Finish
①	Body	Zinc Alloy (ZDC)	Satin Nickel
②	Mounting Plate	Brass	Nickel
③	Strike	Brass	Nickel
④	Key	Brass	Nickel

Item Code	Item Name	Key Type	Cylinder Diameter	Door Thickness	Weight	Box	Carton
150-060-812	2100M-B	Key Different	φ18.6	20	60 g	12 pcs	240 pcs
150-001-044	2100M-D	Key Alike	φ18.6	20	60 g	12 pcs	240 pcs
150-063-742	2100M-25-B	Key Different	φ18.6	25	70 g	12 pcs	240 pcs
150-001-043	2100M-25-D	Key Alike	φ18.6	25	70 g	12 pcs	240 pcs

## PUSH LOCK 2100 Lock Series



### 2110M



#### Features

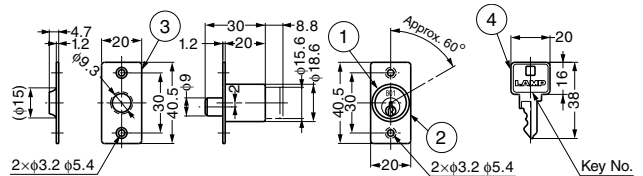
- For sliding doors.
- To Lock: Insert the key and turn 60° clockwise. Push-in the cylinder and turn the key 60° back.
- Key is removable in both locked and un-locked position.
- To Unlock: Insert the key and turn 60° clockwise. Push-out the cylinder and turn the key 60° back.
- 12 key changes available.
- Keys can be shared with 2100 Lock Series.

#### Remarks

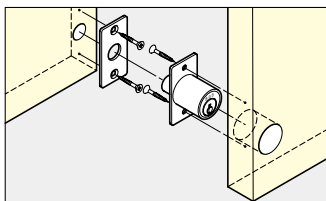
Master Key not available.

#### Parts Included

Countersunk head wood screw 2.7 × 16



#### Installation



No.	Part Name	Material	Finish
①	Body	Zinc Alloy (ZDC)	Satin Nickel (Core: Buffing Coated with Nickel)
②	Mounting Plate	Brass	Nickel
③	Strike	Brass	Nickel
④	Key	Brass	Nickel

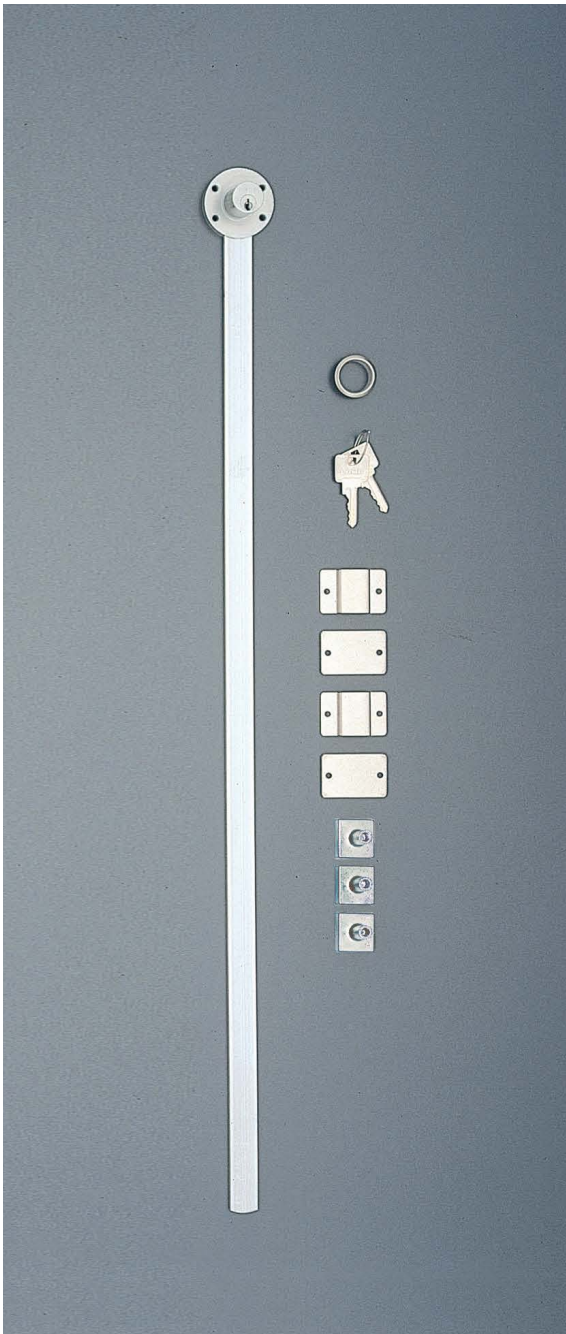
Item Code	Item Name	Key Type	Cylinder Diameter	Door Thickness	Weight	Box	Carton
150-060-889	2110M-B	Key Different	φ18.6	20	60 g	12 pcs	240 pcs
150-001-045	2110M-D	Key Alike	φ18.6	20	60 g	12 pcs	240 pcs



CENTRAL LOCKING SYSTEM FOR FURNITURE 3310 Lock Series



ALS3310



Features

- Locks all drawers on one side simultaneously.
- 100 key changes available.
- Keys can be shared with other 3310 Lock Series.
- The depth of the shelf can be adjusted according to the position of the lock pin.

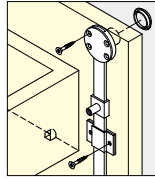
Parts Included

Countersunk head wood screw 2.7 × 16, Pan head wood screw 2.7 × 13

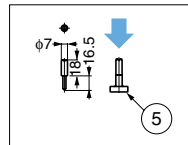
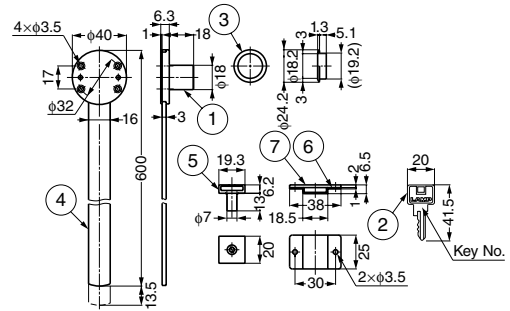
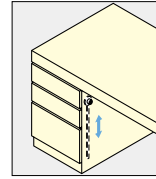
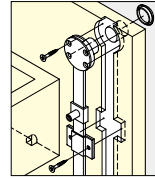
Sold Separately

- Separate parts ALS-LP, ALS-G, ALS-GP
- Locking peg ALS-KP (optional parts)

Surface Mounting



Mortise Mounting



Use Locking Peg inserted into ⑤ for the application with drawer slides.

No.	Part Name	Material	Finish
①	Body	Zinc Alloy (ZDC)	Satin Nickel
②	Key	Brass	Nickel
③	Ring	Brass	Satin Nickel
④	Guide Bar	Aluminum Alloy	-
⑤	Lock Pin	Zinc Alloy (ZDC)	Yellow Zinc Chromate
⑥	Guide	Steel	Nickel
⑦	Guide Plate	Steel	Nickel

Lock Set (① - ⑦)

Item Code	Item Name	Key Type	Cylinder Diameter	Door Thickness	Weight	Box	Carton
150-001-041	ALS3310-B	Key Different	φ18	18	260 g	1 set	20 sets
150-001-042	ALS3310-D	Key Alike	φ18	18	260 g	1 set	20 sets

Parts Set (⑤ - ⑦) (Sold Separately)

Item Code	Item Name	Part Name	No.	Weight
150-060-134	ALS-LP	Lock Pin	⑤	11.5 g
150-945-903	ALS-G	Guide	⑥	8 g
150-945-902	ALS-GP	Guide Plate	⑦	14.5 g

Locking Peg (Optional Parts)

Item Code	Item Name	Material	Finish	Weight	Box	Carton
150-060-117	ALS-KP	Steel	Nickel	6.5 g	400 pcs	2,000 pcs



## CENTRAL LOCKING SYSTEM FOR FURNITURE



1830-MK

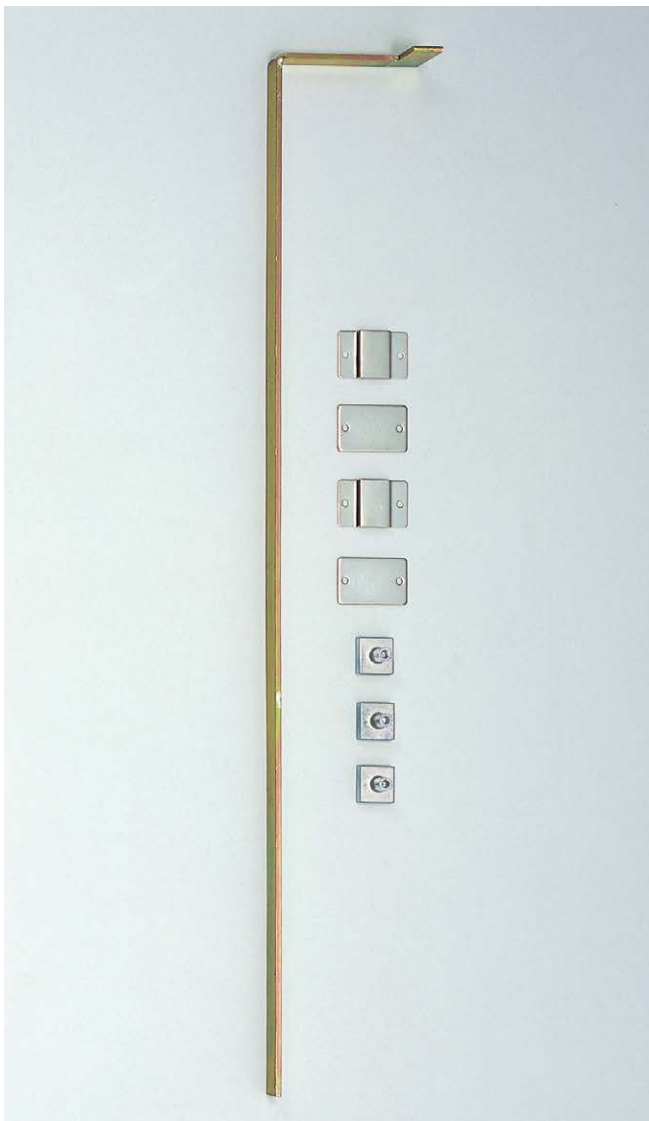
LOCKS



1830-MKGA

1830-MKDN

\*Cylinder and key are sold separately.



Parts set ALFL (sold separately)

**Features**

- Interchangeable cylinder lock with Master Key system.
- Locks all drawers on one side simultaneously.
- 7,800 key changes available. (Max. 750 key changes/Master Key)
- Keys can be shared with 1330GL-MK (P.340) and 6830-30MK (P.312).
- Cylinder lock needs to be installed on the front panel of the top drawer.
- 4 or more lock parts are sold separately.
- The depth of the drawer can be adjusted according to the position of the lock pin.
- Right-handed / left-handed bar available.

**Remarks**

Cylinder can be changed by using Change Key MD-K1.

**Parts Included**

- Countersunk head wood screw 2.7 × 16
- Pan head wood screw 2.7 × 13

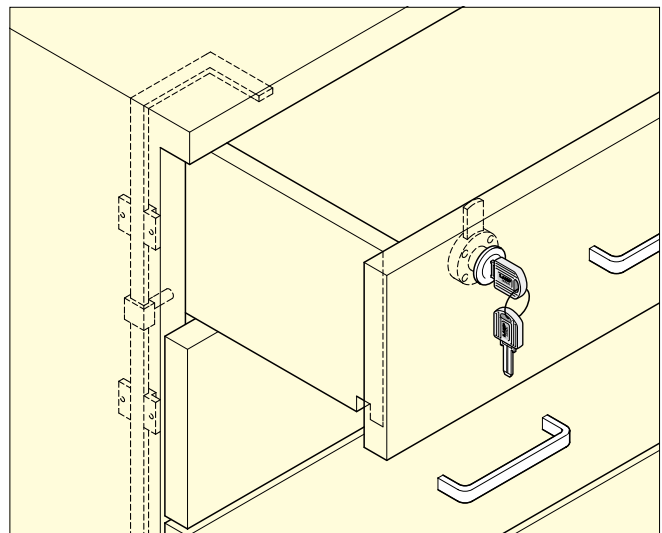
**Sold Separately**

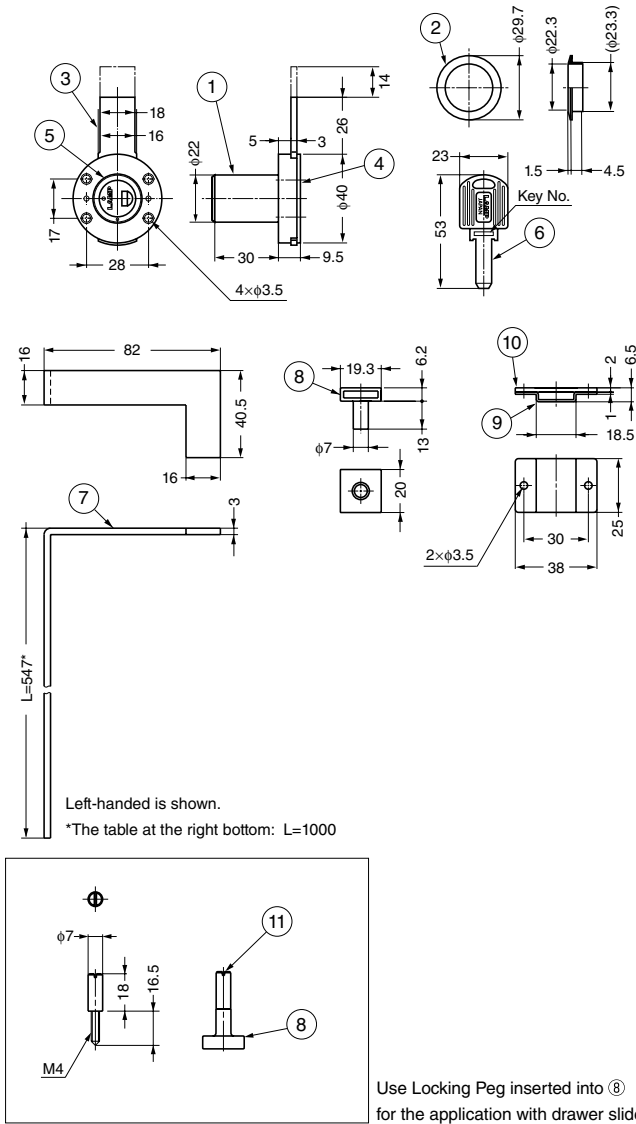
- Cylinder MD-N1 (P.311)
- Master Key MD-MK1 (P.311), change key MD-K1 (P.311)
- Parts set ALFR, ALFL

**Optional Parts**

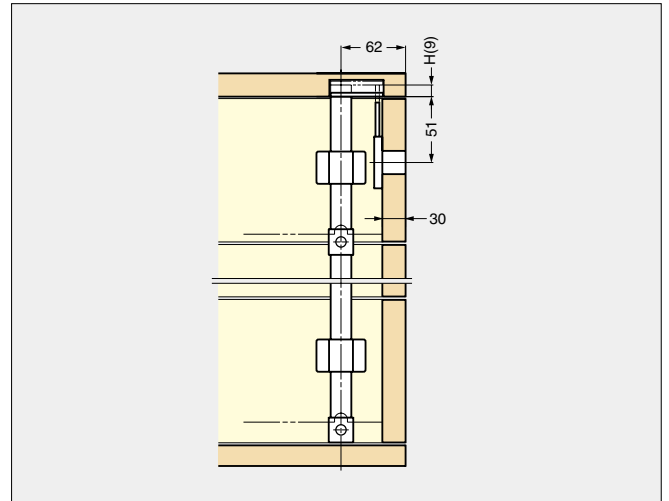
- Parts (8 - 10)
- Locking peg ALS-KP
- Bar ALFBAR1000

CENTRAL LOCKING SYSTEM FOR FURNITURE

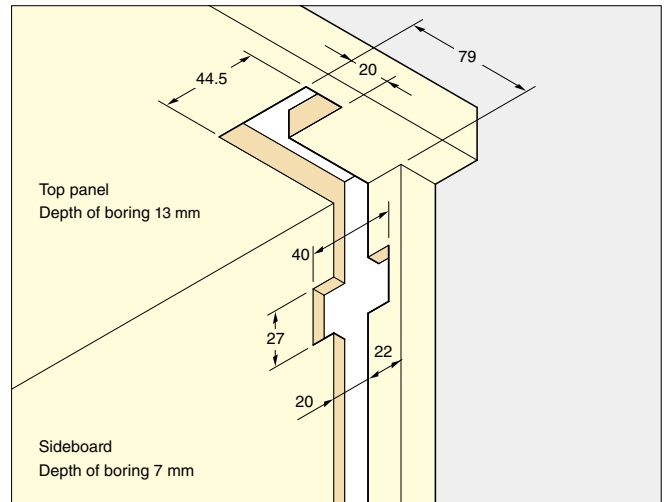




Installation



Cut Out Dimensions



Use Locking Peg inserted into ⑪ for the application with drawer slides.

No.	Part Name	Material	Finish/Colour
①	Housing	Zinc Alloy (ZDC)	GA: Gold, Paint/Clear DN: Satin Nickel
②	Ring	Brass	GA: Gold, Paint/Clear DN: Satin Nickel
③	Dead Bolt	Stainless Steel (SUS304)	Polished
④	Cover	Stainless Steel (SUS304)	Polished
⑤	Cylinder (Sold Separately)	Stainless Steel (SUS304)/Zinc Alloy (ZDC)	Polished/Yellow Zinc Chromate
⑥	Key (Sold Separately)	Brass/ABS	Nickel/Black
⑦	Guide Bar (Sold Separately)	Steel	Yellow Zinc Chromate
⑧	Lock Pin (Sold Separately)	Zinc Alloy (ZDC)	Yellow Zinc Chromate
⑨	Guide (Sold Separately)	Steel	Nickel
⑩	Guide Plate (Sold Separately)	Steel	Nickel
⑪	Locking Peg (Option)	Steel	Nickel

Cylinder Housing (① - ④) \*Cylinder ⑤ and Key ⑥ are sold separately.

Item Code	Item Name	Finish	Cylinder Diameter	Stroke of Bar	Door Thickness	Weight	Carton
150-066-006	1830-MKGA	Gold, Paint/Clear	φ22	14	30	143 g	60 pcs
150-066-005	1830-MKDN	Satin Nickel	φ22	14	30	143 g	60 pcs

Parts Set (⑦ - ⑩) (Sold Separately)

Item Code	Item Name	Left/Right	Weight	Carton
150-060-520	ALFR	Right	328 g	50 sets
150-060-521	ALFL	Left	328 g	50 sets

Locking Peg (⑪) (Optional Parts)

Item Code	Item Name	Weight	Box	Carton
150-060-117	ALS-KP	6.5 g	400 pcs	2,000 pcs

For the drawers over 4.

Parts (⑧ - ⑩) (Optional Parts)

Item Code	Item Name	Part Name	No.	Weight
150-060-134	ALS-LP	Lock Pin for Auto-Lock	⑧	11.5 g
150-945-903	ALS-G	Guide for Auto-Lock	⑨	8 g
150-945-902	ALS-GP	Guide Plate for Auto-Lock	⑩	14.5 g

Guide Bar (⑦ L=1000) (Optional Parts)

Item Code	Item Name	Left/Right	Weight	Box	Carton
150-028-521	ALFBAR1000R	Right	407 g	10 pcs	50 pcs
150-028-522	ALFBAR1000L	Left	407 g	10 pcs	50 pcs

## CENTRAL LOCKING SYSTEM FOR FURNITURE Million Lock Series



ALF1800

LOCKS

**Features**

- Locks all drawers on one side simultaneously.
- Reversible key.
- Able to detach the key at any angle within 360°.
- 1 million key changes available.
- Master Key system available at surcharge. (Max. 2,520 key changes/Master Key.)
- Cylinder to be applied to the top shelf, front or back of board.
- 4 or more lock parts are sold separately.
- The depth of the shelf can be adjusted according to the position of the lock pin.
- Right-handed / left-handed bar is available.

**Parts Included**

Countersunk head wood screw 2.7 × 16

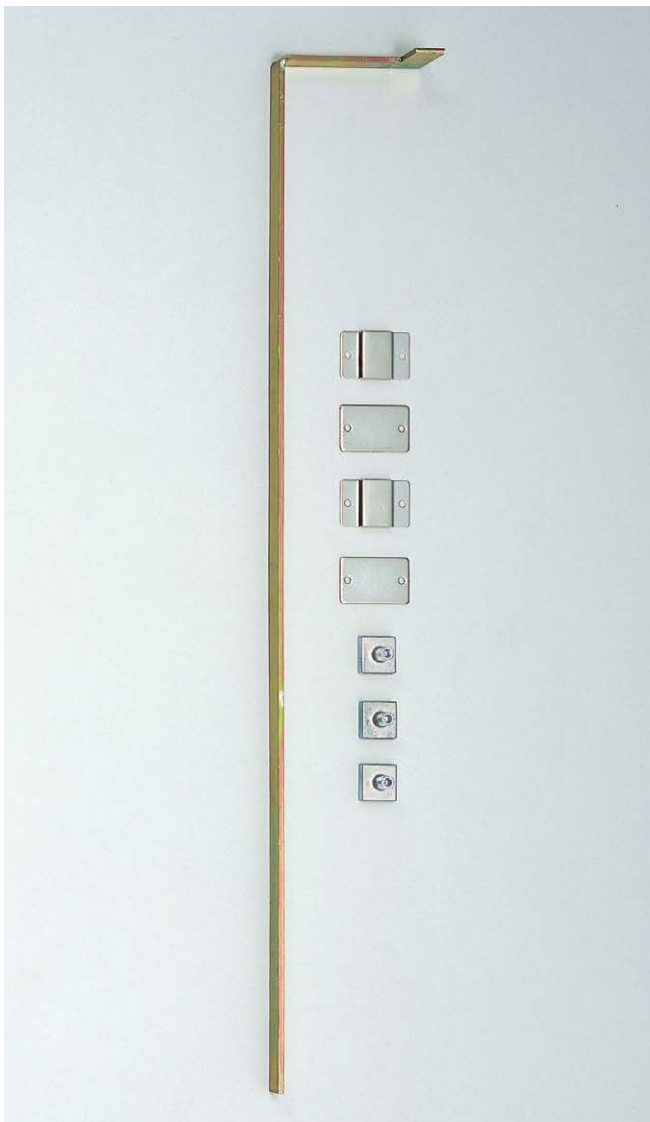
Pan head wood screw 2.7 × 13

**Sold Separately**

- Parts set ALFR, ALFL
- Separate parts ALS-LP, ALS-G, ALS-GP

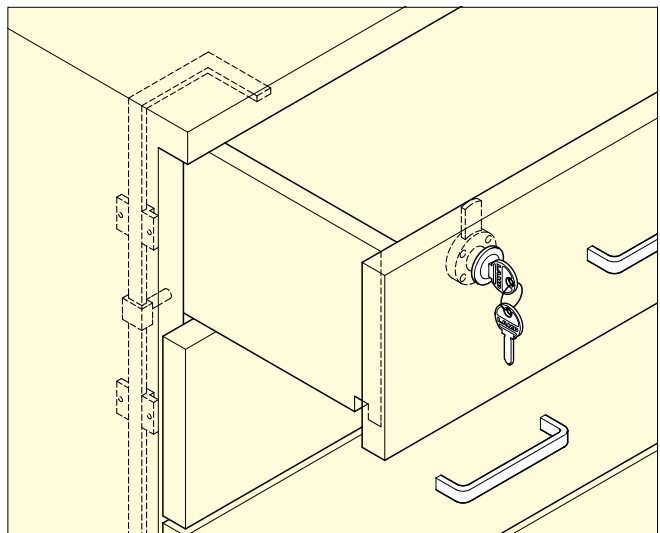
**Optional Parts**

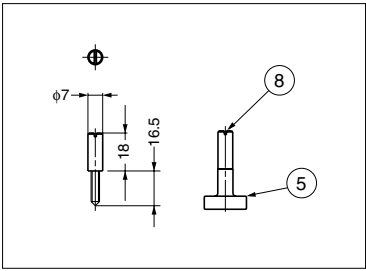
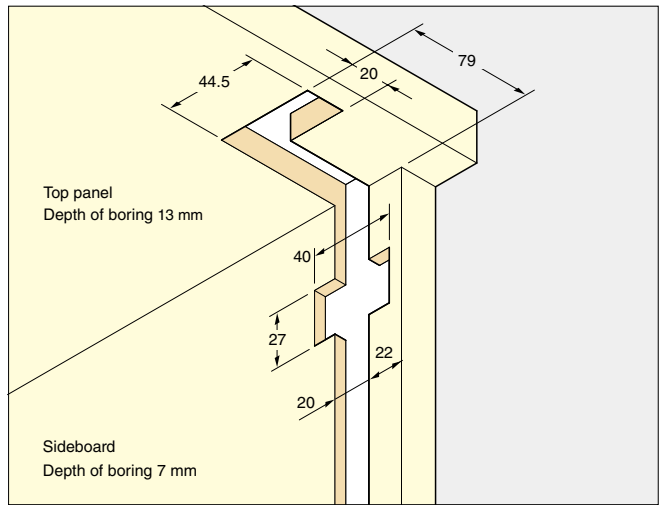
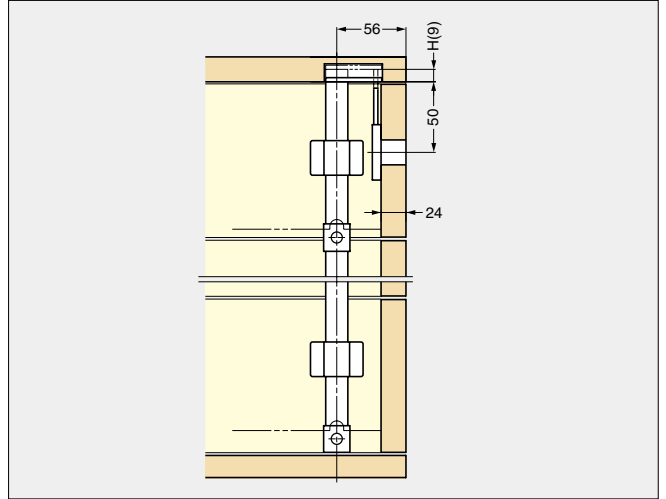
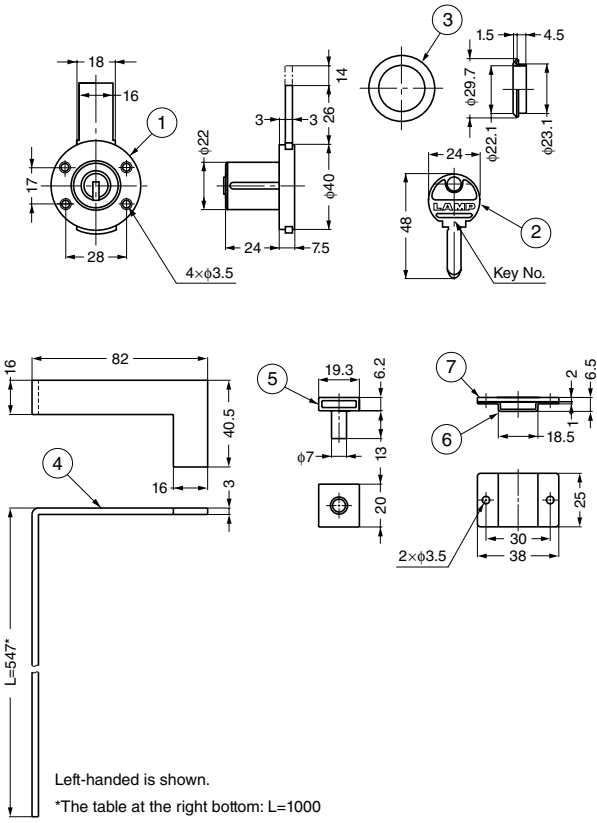
- Locking peg ALS=KP
- Bar ALFBAR1000



Parts set ALFL (sold separately)

CENTRAL LOCKING SYSTEM FOR FURNITURE





Use Locking Peg inserted into ⑤ for the application with drawer slides.

No.	Part Name	Material	Finish
①	Body	Brass	Satin Nickel
②	Key	Brass	Nickel
③	Ring	Brass	Satin Nickel
④	Guide Bar (Sold Separately)	Steel	Yellow Zinc Chromate
⑤	Lock Pin (Sold Separately)	Zinc Alloy (ZDC)	Yellow Zinc Chromate
⑥	Guide (Sold Separately)	Steel	Nickel
⑦	Guide Plate (Sold Separately)	Steel	Nickel
⑧	Locking Peg (Option)	Steel	Nickel

Cylinder Lock (① - ③)

Item Code	Item Name	Key Type	Cylinder Diameter	Stroke of Bar	Door Thickness	Weight	Carton
150-060-253	ALF1800-B	Key Different	φ22	14	24	194 g	60 pcs
150-001-033	ALF1800-D	Key Alike	φ22	14	24	194 g	60 pcs

Please contact our sales executives for this item with master function.

Parts Set (④ - ⑦) (Sold Separately)

Item Code	Item Name	Left/Right	Weight	Carton
150-060-520	ALFR	Right	328 g	50 sets
150-060-521	ALFL	Left	328 g	50 sets

For the drawers over 4.

Parts (⑤ - ⑦) (Optional Parts)

Item Code	Item Name	Part Name	No.	Weight
150-060-134	ALS-LP	Lock Pin for Auto-Lock	⑤	11.5 g
150-945-903	ALS-G	Guide for Auto-Lock	⑥	8 g
150-945-902	ALS-GP	Guide Plate for Auto-Lock	⑦	14.5 g

Locking Peg for All-Lock (⑧) (Optional Parts)

Item Code	Item Name	Weight	Box	Carton
150-060-117	ALS-KP	6.5 g	400 pcs	2,000 pcs

Guide Bar (④L=1000) (Optional Parts)

Item Code	Item Name	Left/Right	Weight	Box	Carton
150-028-521	ALFBAR1000R	Right	407 g	10 pcs	50 pcs
150-028-522	ALFBAR1000L	Left	407 g	10 pcs	50 pcs

## CENTRAL LOCKING SYSTEM FOR FURNITURE 3310 Lock Series



ALF1600

**Features**

- Locks all drawers on one side simultaneously.
- 100 key changes available.
- Cylinder lock needs to be installed on the front panel of the top drawer.
- 4 or more lock parts are sold separately.
- The depth of the shelf can be adjusted according to the position of the lock pin.
- Right-handed / left-handed bar is available.
- Body can be made black chromate finish as special order.
- The cylinder of ALF1800 (P.330) can be applied to this system for 1 million key changes at maximum.

**Parts Included**

Countersunk head wood screw 2.7 × 16

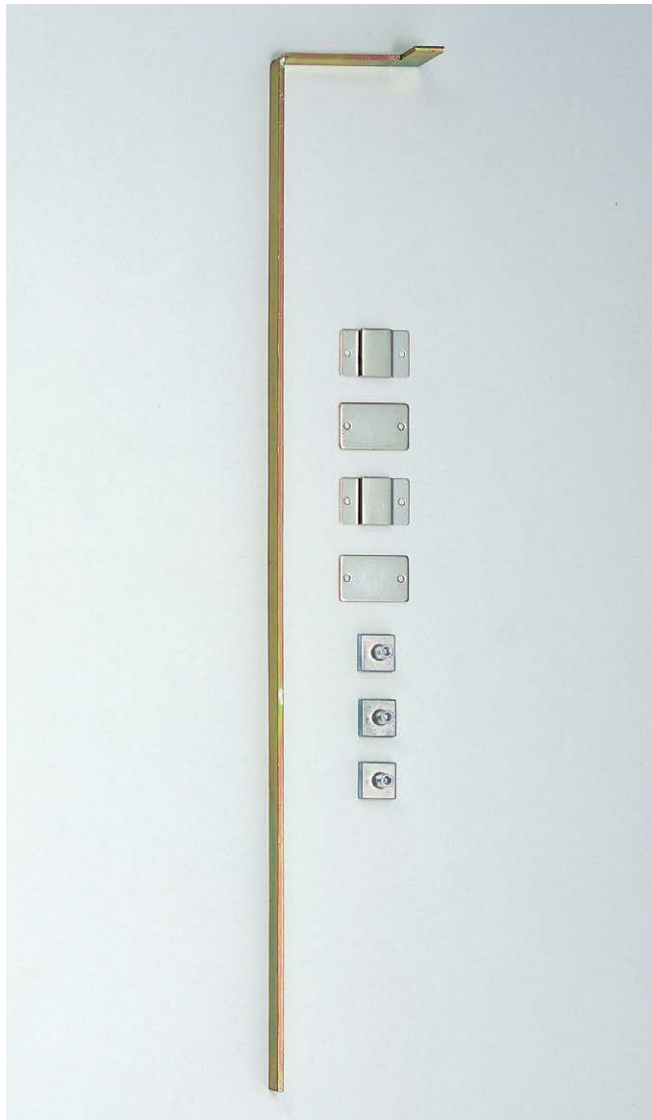
Pan head wood screw 2.7 × 13

**Sold Separately**

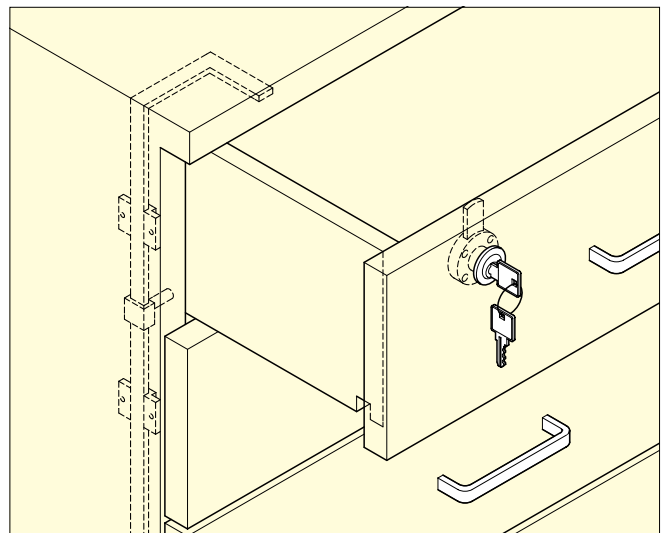
- Parts set ALFR, ALFL
- Separate parts ALS-LP, ALS-G, ALS-GP

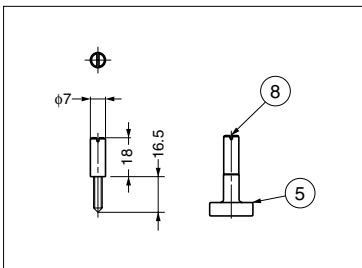
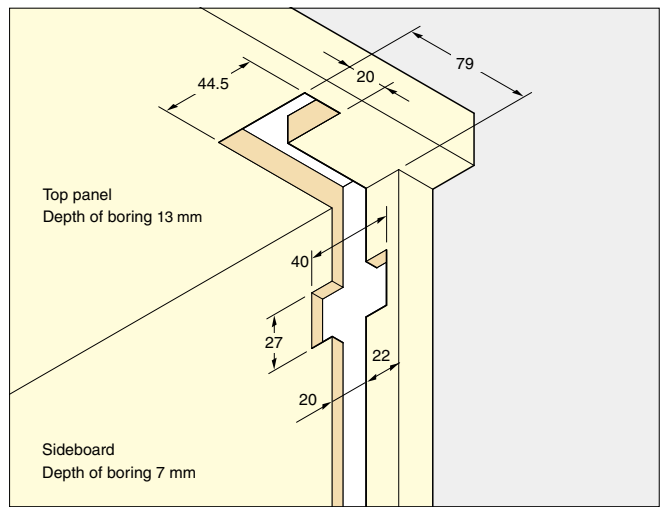
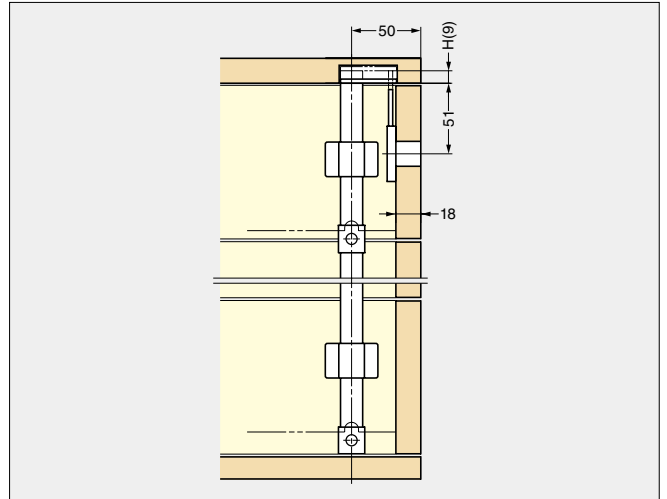
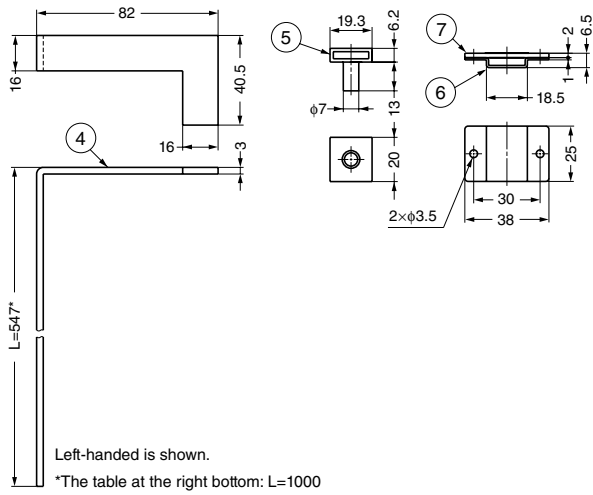
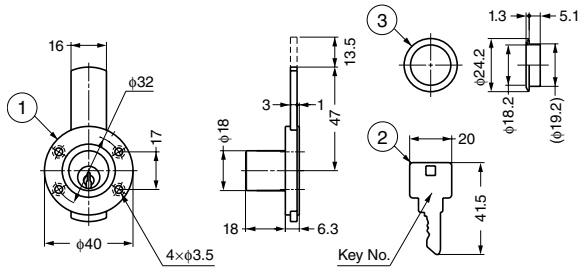
**Optional Parts**

- Locking peg ALS-KP
- Bar ALFBAR1000



Parts set ALS-LP, ALS-G, ALS-GP (sold separately)





Use Locking Peg inserted into ⑤ for the application with drawer slides.

No.	Part Name	Material	Finish
①	Body	Zinc Alloy (ZDC)	Satin Nickel
②	Key	Brass	Nickel
③	Ring	Brass	Satin Nickel
④	Guide Bar (Sold Separately)	Steel	Yellow Zinc Chromate
⑤	Lock Pin (Sold Separately)	Zinc Alloy (ZDC)	Yellow Zinc Chromate
⑥	Guide (Sold Separately)	Steel	Nickel
⑦	Guide Plate (Sold Separately)	Steel	Nickel
⑧	Locking Peg (Option)	Steel	Nickel

**Cylinder Lock (① - ③)**

Item Code	Item Name	Key Type	Cylinder Diameter	Stroke of Bar	Door Thickness	Weight	Carton
150-061-251	ALF1600-B	Key Different	φ18	13.5	18	84 g	50 pcs
150-001-034	ALF1600-D	Key Alike	φ18	13.5	18	84 g	50 pcs

**Parts Set (④ - ⑦) (Sold Separately)**

Item Code	Item Name	Left/Right	Weight	Carton
150-060-520	ALFR	Right	328 g	50 sets
150-060-521	ALFL	Left	328 g	50 sets

For the drawers over 4.

**Parts (⑤ - ⑦) (Optional Parts)**

Item Code	Item Name	Part Name	No.	Weight
150-060-134	ALS-LP	Lock Pin for Auto-Lock	⑤	11.5 g
150-945-903	ALS-G	Guide for Auto-Lock	⑥	8 g
150-945-902	ALS-GP	Guide Plate for Auto-Lock	⑦	14.5 g

**Locking Peg for All-Lock (⑧) (Optional Parts)**

Item Code	Item Name	Weight	Box	Carton
150-060-117	ALS-KP	6.5 g	400 pcs	2,000 pcs

**Guide Bar (④L=1000) (Optional Parts)**

Item Code	Item Name	Left/Right	Weight	Box	Carton
150-028-521	ALFBAR1000R	Right	407 g	10 pcs	50 pcs
150-028-522	ALFBAR1000L	Left	407 g	10 pcs	50 pcs

# CENTRAL LOCKING SYSTEM FOR FURNITURE (WITH INDICATOR) 2200 Lock Series



ALS2200

LOCKS

CENTRAL LOCKING SYSTEM FOR FURNITURE



### Features

- Locks all drawers on one side simultaneously.
- With indicator: Unlocked - Blue, Locked - Red.
- 12 key changes available. (Max. 300 key changes as special order)
- Master Key system (170 key changes) available at surcharge. (1 Master Key only.)
- Keys can be shared with other 2200 Lock Series.
- The depth of the shelf can be adjusted according to the position of the lock pin.

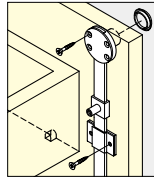
### Parts Included

- Countersunk head wood screw 2.7 × 16
- Pan head wood screw 2.7 × 13

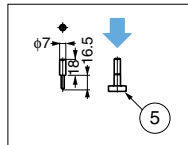
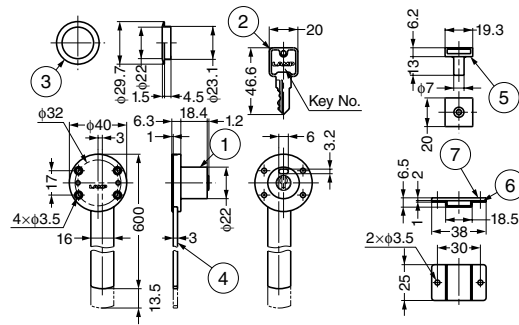
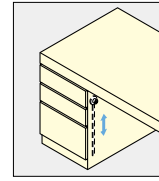
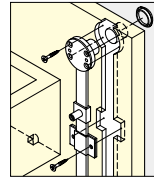
### Sold Separately

- Separate parts ALS-LP, ALS-G, ALS-GP
- Locking peg ALS-KP (optional parts)

### Surface Mounting



### Mortise Mounting



Use Locking Peg inserted into ⑤ for the application with drawer slides.

No.	Part Name	Material	Finish
①	Body	Zinc Alloy (ZDC)	Satin Nickel
②	Key	Brass	Nickel
③	Ring	Brass	Satin Nickel
④	Guide Bar	Aluminum Alloy	-
⑤	Lock Pin	Zinc Alloy (ZDC)	Yellow Zinc Chromate
⑥	Guide	Steel	Nickel
⑦	Guide Plate	Steel	Nickel

### Lock Set (① - ⑦)

Item Code	Item Name	Key Type	Cylinder Diameter	Door Thickness	Weight	Box	Carton
150-060-921	ALS2200-B	Key Different	φ22	18	253 g	1 set	20 sets
150-060-920	ALS2200-D	Key Alike	φ22	18	253 g	1 set	20 sets

Please contact our sales executives for master function.

### Parts (⑤ - ⑦) (Sold Separately)

Item Code	Item Name	Part Name	No.	Weight
150-060-134	ALS-LP	Lock Pin for All-Lock	⑤	11.5 g
150-945-903	ALS-G	Guide for All-Lock	⑥	8 g
150-945-902	ALS-GP	Guide Plate for All-Lock	⑦	14.5 g

### Locking Peg (Optional Parts)

Item Code	Item Name	Material	Finish	Weight	Box	Carton
150-060-117	ALS-KP	Steel	Nickel	6.5 g	400 pcs	2,000 pcs





CENTRAL LOCKING SYSTEM FOR FURNITURE 2100 Lock Series



ALS2100



Features

- Locks all drawers on one side simultaneously.
- 12 key changes available.
- Keys can be shared with other 2100 Lock Series.
- The depth of the shelf can be adjusted according to the position of the lock pin.

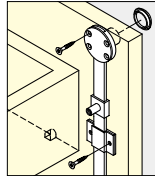
Parts Included

Countersunk head wood screw 2.7 × 16, Pan head wood screw 2.7 × 13

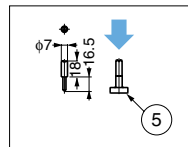
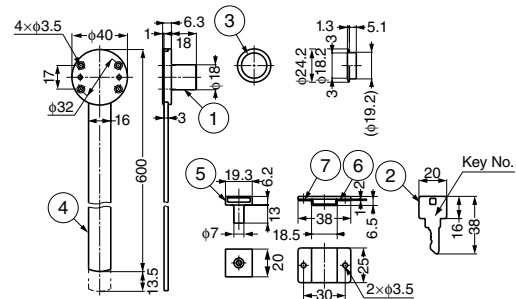
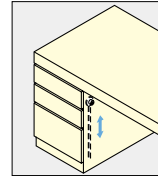
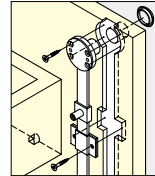
Optional Parts

- Separate parts ALS-LP, ALS-G, ALS-GP
- Locking peg ALS-KP (optional parts)

Surface Mounting



Mortise Mounting



Use Locking Peg inserted into ⑤ for the application with drawer slides.

No.	Part Name	Material	Finish
①	Body	Zinc Alloy (ZDC)	Satin Nickel
②	Key	Brass	Nickel
③	Ring	Brass	Satin Nickel
④	Guide Bar	Aluminum Alloy	-
⑤	Lock Pin	Zinc Alloy (ZDC)	Yellow Zinc Chromate
⑥	Guide	Steel	Nickel
⑦	Guide Plate	Steel	Nickel

Lock Set (① - ⑦)

Item Code	Item Name	Key Type	Cylinder Diameter	Door Thickness	Weight	Box	Carton
150-001-039	ALS2100-B	Key Different	φ18	18	267 g	1 set	12 sets
150-001-040	ALS2100-D	Key Alike	φ18	18	267 g	1 set	12 sets

Parts (⑤ - ⑦) (Sold Separately)

Item Code	Item Name	Part Name	No.	Weight
150-060-134	ALS-LP	Lock Pin	⑤	11.5 g
150-945-903	ALS-G	Guide	⑥	8 g
150-945-902	ALS-GP	Guide Plate	⑦	14.5 g

Locking Peg (Optional Parts)

Item Code	Item Name	Material	Finish	Weight	Box	Carton
150-060-117	ALS-KP	Steel	Nickel	6.5 g	400 pcs	2,000 pcs



GLASS SHOWCASE HARDWARE

XL-GC

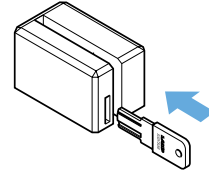
LOCKS FOR GLASS DOORS

GLASS SHOWCASE HARDWARE

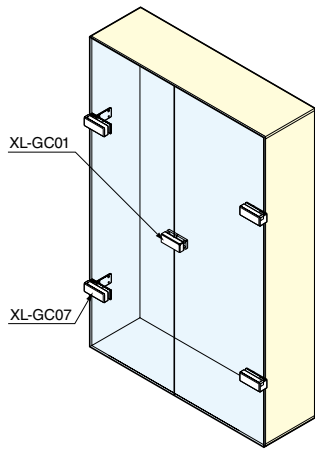


Features

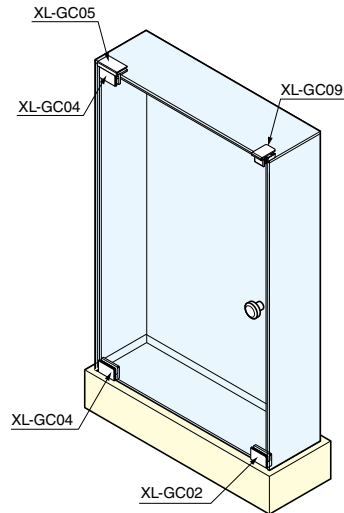
- Hinges, Locks and Sliding door hardware with integrated design.
- Swing and Sliding Doors can be operated with a single key.
- Key hole is located on the side for clean appearance.



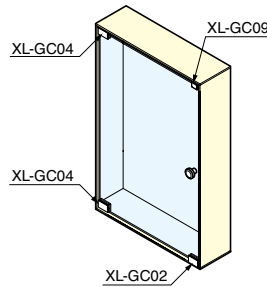
Double Door



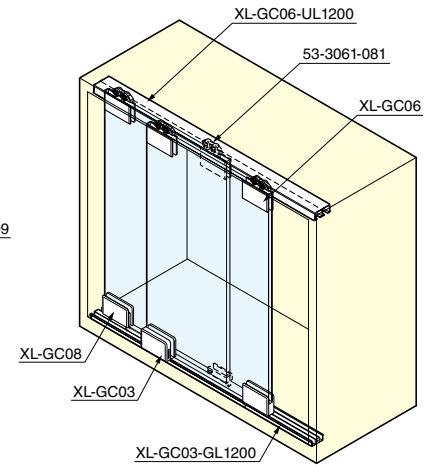
Swing Door



Can be installed on wooden cabinet.



Sliding Door



Locks

Item	Item Name	Image	Page
For Double Doors	XL-GC01-CR		P.337
For Swing Doors	XL-GC02-CR		
For Sliding Doors	XL-GC03-CR		

Hinges

Item	Item Name	Image	Page
Inset Type	XL-GC04-CR		P.449
Overlay Type	XL-GC07-CR		
Glass Bracket	XL-GC05-CR		

Sliding Door Hardware

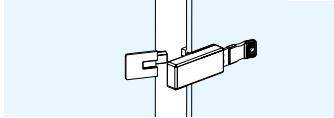
Item	Item Name	Image	Page
Upper Bracket	XL-GC06-CR		P.642
Bottom Guide Bracket	XL-GC08-CR		
<b>Catch</b>			
Item	Item Name	Image	Page
Magnetic Catch	XL-GC09-CR		P.274

## LOCK FOR DOUBLE SWINGING GLASS DOOR

## XL-GC01



### Installation



No	Part Name	Material	Finish/Colour
①	Body	Zinc Alloy (ZDC)	Chrome
②	Strike	Zinc Alloy (ZDC)	Chrome
③	Spacer	Vinyl Chloride Resin (PVC)	Clear
④	Fixing Screw	Stainless Steel (SUS304)	Plain
⑤	Key	Brass/ABS	Nickel/Black

### Features

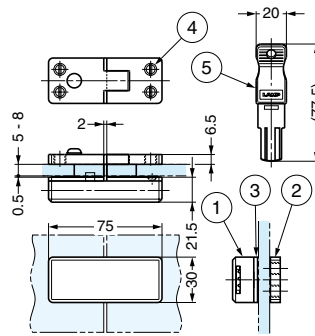
- Non-handed. Key hole located on the right side for clean appearance and high security.
- Key works as a knob in unlocked position.
- 24 key changes available.

### Remarks

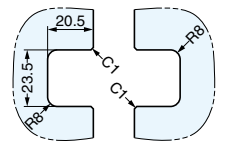
Use with XL-GC09-CR (P.274) for inset doors.

### Parts Included

- Gasket
- Transparent bumper



### Cut Out Dimensions



Item Code	Item Name	Key Type	Glass Thickness	Weight	Carton
150-061-100	XL-GC01-CR-B	Key Different	5, 6, 8	400 g	24 pcs
150-001-052	XL-GC01-CR-D	Key Alike	5, 6, 8	400 g	24 pcs

## LOCK FOR INSET SWINGING GLASS DOOR



## XL-GC02



Left

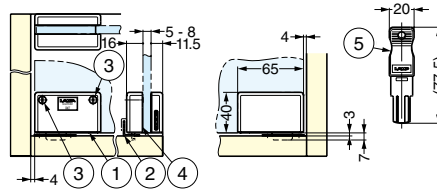
No	Part Name	Material	Finish/Colour
①	Body	Zinc Alloy (ZDC)	Chrome
②	Strike	Stainless Steel (SUS304)/Chloroprene Rubber (CR)	Gloss Barrel/Black
③	Fixing Screw	Stainless Steel (SUS304)	Plain
④	Spacer	Rubber	Black
⑤	Key	Brass/ABS	Nickel/Black

### Features

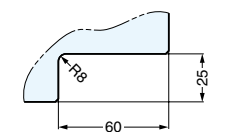
- Non-handed. Key hole located on the right side for clean appearance and high security.
- 24 key changes available.

### Parts Included

- Gasket
- Countersunk head wood screw 3.1 x 20 (SUS)



### Cut Out Dimensions



Item Code	Item Name	Key Type	Type	Glass Thickness	Weight	Carton
150-061-102	XL-GC02-R-CR-B	Key Different	Right	5, 6, 8	411 g	24 pcs
150-001-054	XL-GC02-R-CR-D	Key Alike	Right	5, 6, 8	411 g	24 pcs
150-061-101	XL-GC02-L-CR-B	Key Different	Left	5, 6, 8	411 g	24 pcs
150-001-053	XL-GC02-L-CR-D	Key Alike	Left	5, 6, 8	411 g	24 pcs

## LOCK FOR SLIDING GLASS DOOR

## XL-GC03



### Features

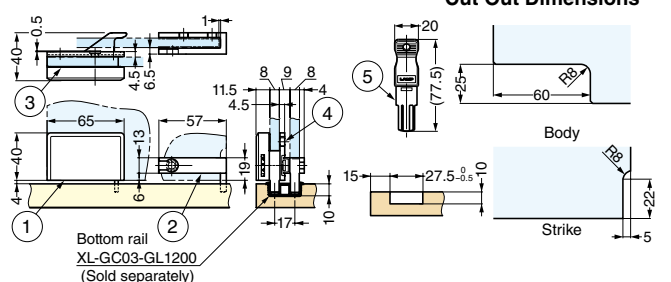
- Non-handed. Key hole located on the right side for clean appearance and high security.
- 24 key changes available.

### Remarks

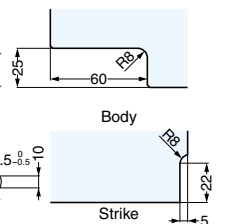
Please order 1 pc for 2 doors.

### Optional Parts

XL-GC03-GL1200 (P.641)



### Cut Out Dimensions



No	Part Name	Material	Finish/Colour
①	Body	Zinc Alloy (ZDC)	Chrome
②	Strike	Zinc Alloy (ZDC)	Chrome
③	Spacer	Rubber	Black
④	Fixing Screw	Stainless Steel (SUS304)	Plain
⑤	Key	Brass/ABS	Nickel/Black

Item Code	Item Name	Key Type	Glass Thickness	Weight	Carton
150-061-103	XL-GC03-CR-B	Key Different	8	371 g	24 pcs
150-001-055	XL-GC03-CR-D	Key Alike	8	371 g	24 pcs

# ELECTRONIC LOCK SYSTEM



# EXCELOCK

LOCKS FOR GLASS DOORS

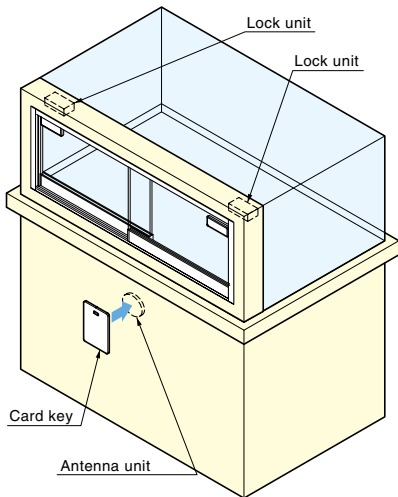
ELECTRONIC LOCK SYSTEM



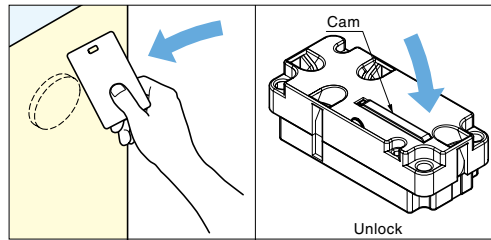
### Features

- Able to lock or unlock by passing card key over the antenna. The door will be automatically locked after closed.
- Able to apply to glass or wooden swinging doors and sliding doors.
- Key is applied RF-ID system. Easy to register and erase the key numbers without operation, optional computers and changing parts.
- Able to install the antenna unit inside the cabinet.
- Connect all units with plugging connector.
- No need of battery by connecting XL-ECU with AC adapter.
- No need of battery for the key. Max. 30 key changes can be registered (2 additional control key can be registered).
- 1 system (1 XL-ECU) can connect with 4 lock units and control 8 locks.
- Able to expand the lock system and the number of locks by applying XL-EEU.

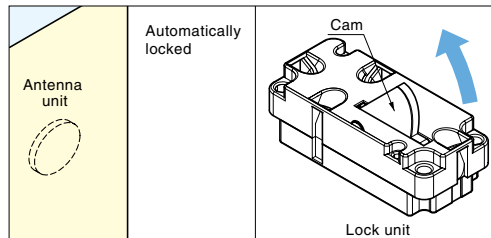
### Installation



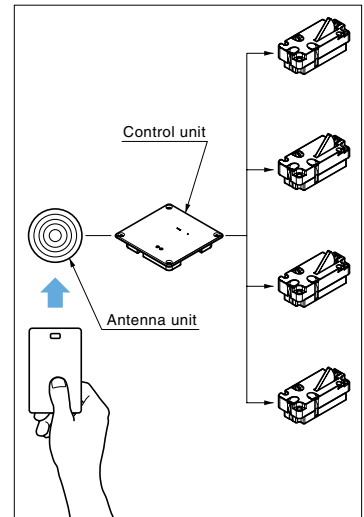
### How to Unlock



### How to Lock

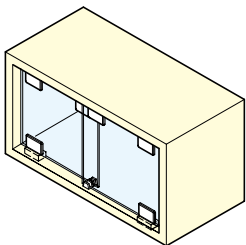


### Manage Multiple Locks

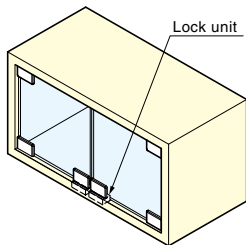


### Installation

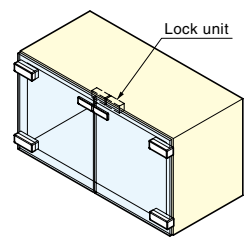
① Glass sliding door



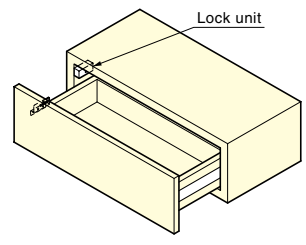
② Glass inset swinging door



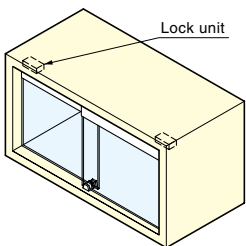
③ Glass overlay swinging door



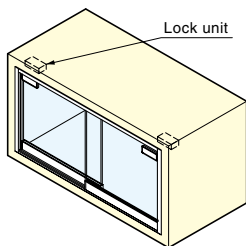
④ Drawer



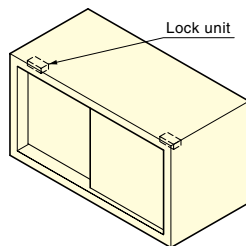
⑤ Glass sliding door



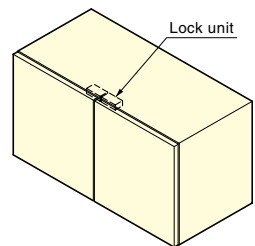
⑥ Glass sliding door

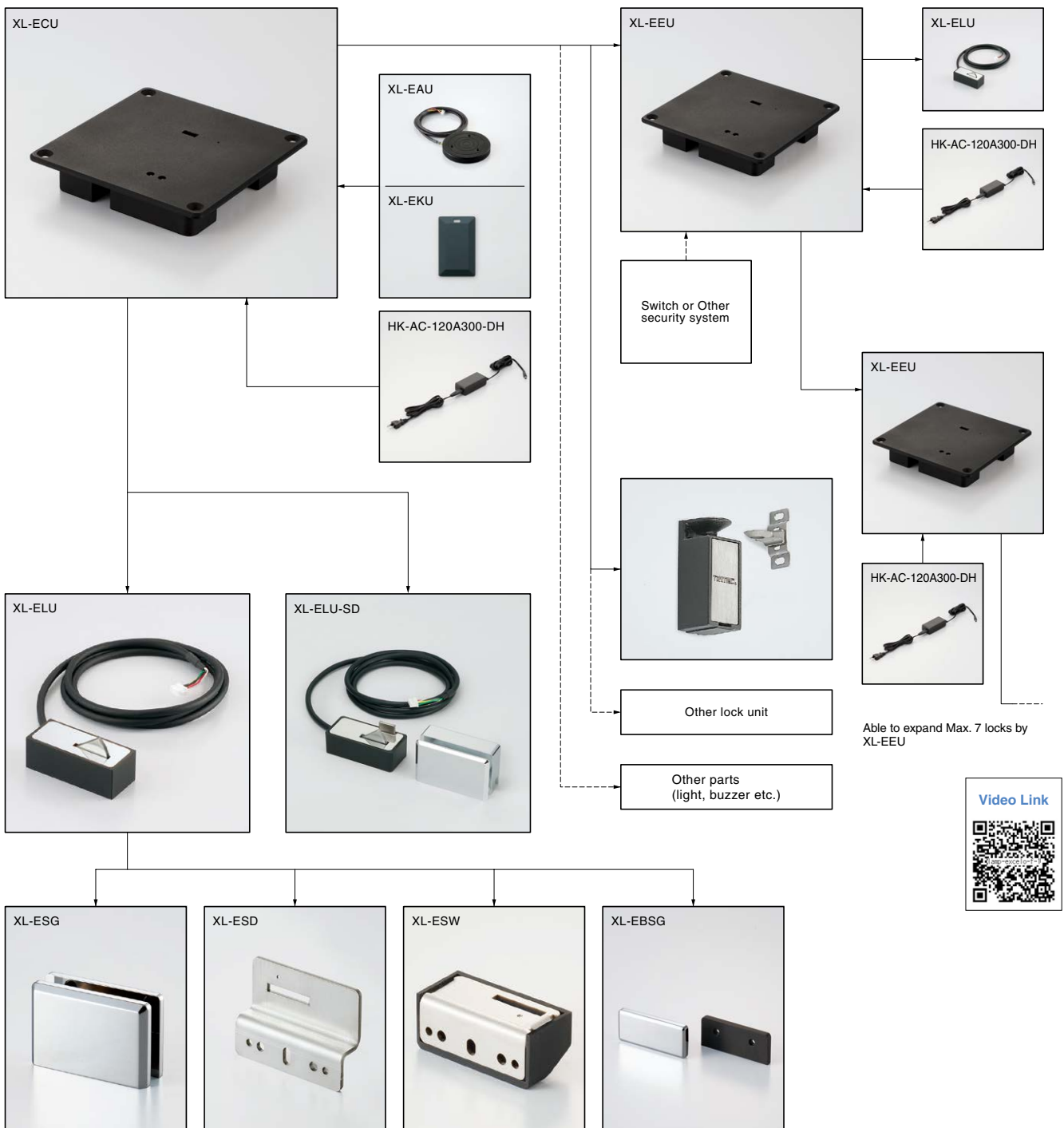


⑦ Wooden sliding door



⑧ Wooden overlay door





Able to expand Max. 7 locks by XL-EEU



**System Specification**

<b>Communication Method</b>		RF-ID 416 kHz
<b>Operating Method</b>		Motor driven
<b>Power Supply</b>		AC adapter HK-AC-120 A 300-DH
<b>Operating Temperature</b>		0°C - 40°C
<b>Sensing Distance</b>		0 - 30 mm
<b>Electrical</b>	<b>Standby Current</b>	20 mA (Unlocked)
<b>Characteristics</b>	<b>Operating Current</b>	Under 600 mA (Use 4 lock units)
<b>Number of Terminal</b>		4 lock units, 4 other lock units, 1 other parts
<b>Number of Lock Unit Connected</b>		Single application
		Multiple application
		XL-EEU
<b>Key Changes Registered</b>		Max. 30 key changes + 2 control key



1330GL-MK

GLASS DOOR CAM LOCK

LOCKS FOR GLASS DOORS

GLASS DOOR CAM LOCK



Features

- Interchangeable cylinder lock with Master Key system.
- Allows key management and cylinder replacement is easy in case key is lost.
- Key and cam rotate clockwise when locked. Key can be removed when locked and unlocked.
- 7,800 key changes available. (Max. 750/Master Key)
- Simple design for cylinder ring and hidden cam when locked.
- Keys can be shared with 1830-MK (P.328) and 6830-30MK (P.312).

Remarks

Cylinder can be changed by using Change Key MD-K1

Parts Included

Countersunk head wood screw 2.7 × 13 (SUS)

Sold Separately

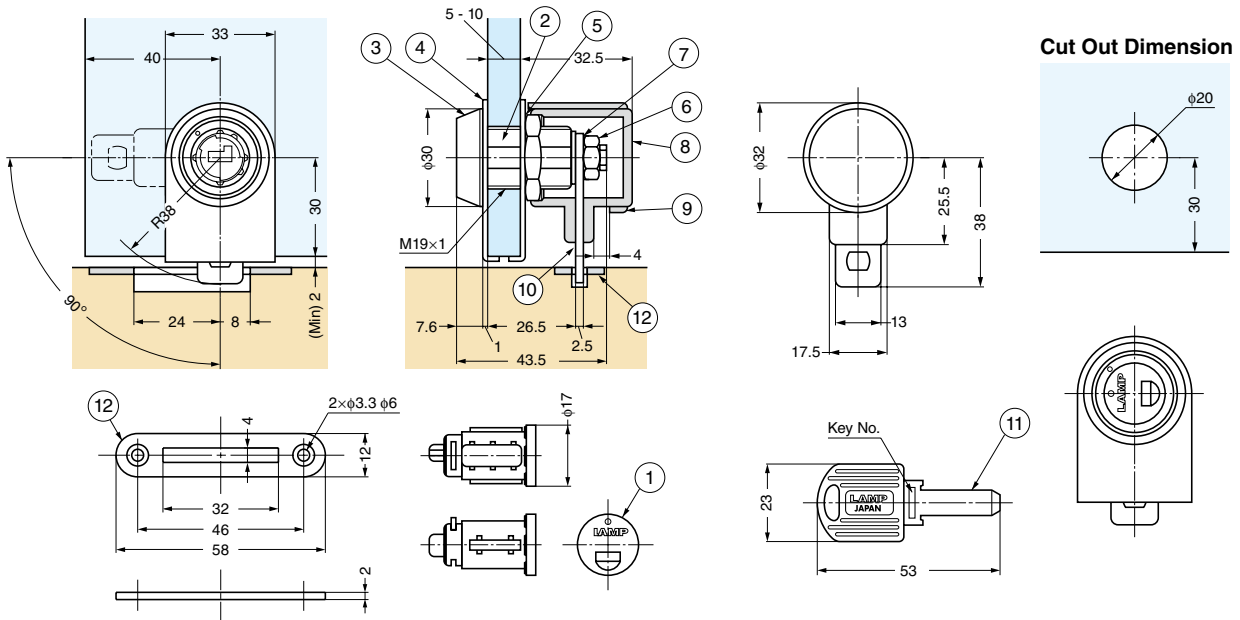
Cylinder MD-N1 (P.311)

Optional Parts

Master Key MD-MK1 (P.311)

Change Key MD-K1 (P.311)

\*Cylinder and key are sold separately.



No.	Part Name	Material	Finish/Colour
①	Cylinder (Sold Separately)	Stainless Steel (SUS304)/Zinc Alloy (ZDC)	Polished, Yellow Zinc Chromate
②	Housing	Zinc Alloy (ZDC)	GA: Gold, Paint/Clear, DN: Satin Nickel
③	Ring	Brass	GA: Gold, Paint/Clear, DN: Satin Nickel
④	Front Plate	Stainless Steel (SUS304)	GA: Gold, Paint/Clear, DN: Plain
⑤	Large Hex Nut	Steel	Yellow Zinc Chromate
⑥	Small Hex Nut	Steel	Yellow Zinc Chromate
⑦	Washer	Steel	Clear Zinc Chromate
⑧	Cover	Polypropylene (PP)	Black
⑨	Ring	Polypropylene (PP)	Black
⑩	Cam	Stainless Steel (SUS304)	Polished
⑪	Key (Sold Separately)	Brass/ABS	Nickel/Black
⑫	Strike	Stainless Steel (SUS304)	Polished

\*Cylinder ① and Key ⑪ are sold separately.

Item Code	Item Name	Finish	Glass Thickness	Weight	Box	Carton
150-066-004	1330GL-MKGA	Gold, Paint/Clear	5 - 10	130 g	12 pcs	60 pcs
150-066-003	1330GL-MKDN	Satin Nickel	5 - 10	130 g	12 pcs	60 pcs



**GLASS DOOR CAM LOCK** Million Lock Series



**1300GL**

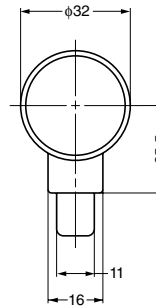
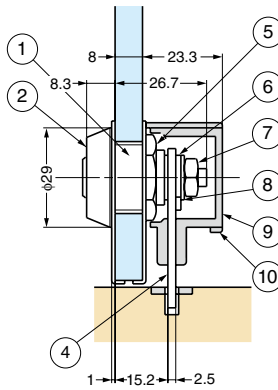
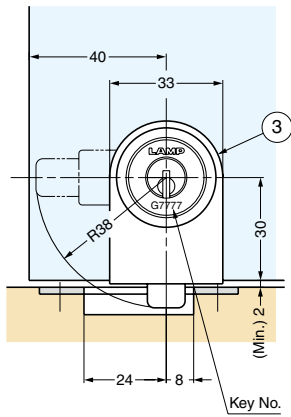


**Features**

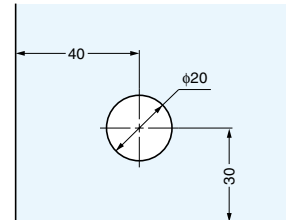
- Dimple key lock series. Ideal for showcase application.
- Reversible key. Lock and unlock to turn key 360° and cam turns 90°.
- Able to remove key when locked and unlocked.
- 1 million key changes available.
- Master Key system available at surcharge. (Max. 2,520 key changes/Master Key.)
- Keys can be shared with other Million Lock Series.

**Parts Included**

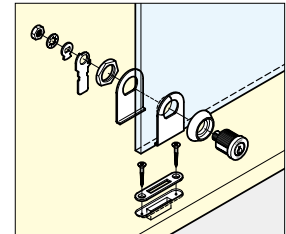
Countersunk head wood screw 2.7 x 13 (SUS)



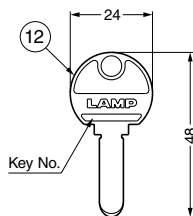
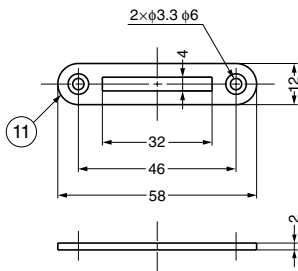
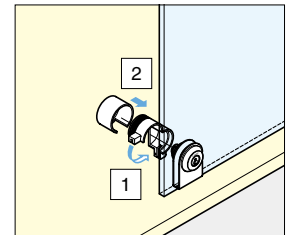
**Cut Out Dimensions**



**Installation**



**How to Install 9 Cover & 10 Ring**



No.	Part Name	Material	Finish/Colour
①	Body	Brass	Satin Nickel
②	Ring	Brass	Satin Nickel
③	Front Plate	Stainless Steel (SUS304)	Polished
④	Cam	Stainless Steel (SUS304)	Polished
⑤	Hex Nut	Steel	Special Anti Rust Paint/Silver
⑥	Small Cam	Brass	Nickel
⑦	Hex Nut	Steel	Special Anti Rust Paint/Silver
⑧	Washer	Steel	Special Anti Rust Paint/Silver
⑨	Cover	Polypropylene (PP)	Black
⑩	Ring	Polypropylene (PP)	Black
⑪	Strike	Stainless Steel (SUS304)	Polished
⑫	Key	Brass	Nickel

Item Code	Item Name	Key Type	Glass Thickness	Weight	Box	Carton
150-060-219	1300GL-B	Key Different	5 - 8	140 g	12 pcs	60 pcs
150-001-056	1300GL-D	Key Alike	5 - 8	140 g	12 pcs	60 pcs

Please contact us for this item with Master Key system.



GLASS DOOR CAM LOCK Million Lock Series



1310GL

LOCKS

FOR GLASS DOORS

GLASS DOOR CAM LOCK

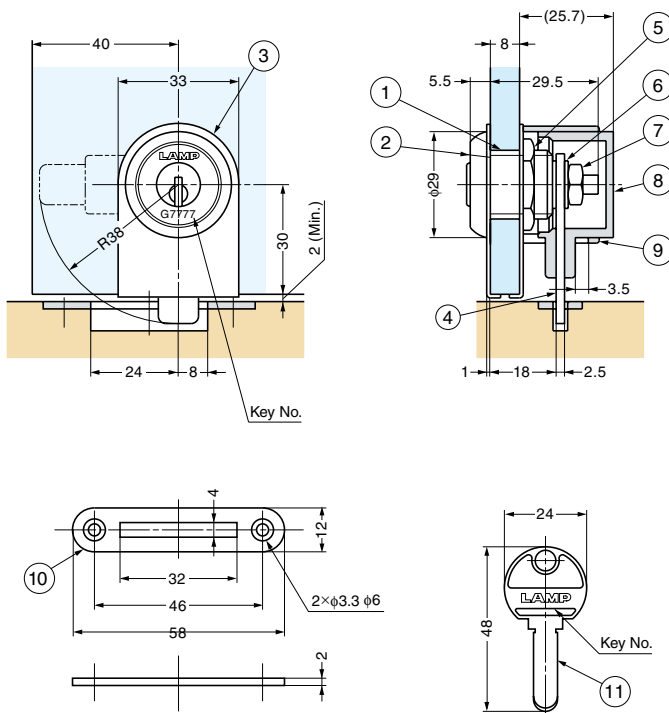


Features

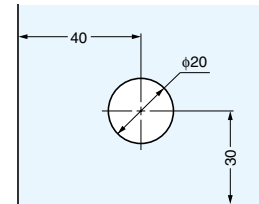
- Dimple key lock series. Ideal for showcase application.
- Reversible key can be removed when locked.
- 1 million key changes available.
- Master Key system available at surcharge. (Max. 2,520 key changes/Master Key.)
- Keys can be shared with other Million Lock Series.

Parts Included

Countersunk head wood screw 2.7 × 13 (SUS)



Cut Out Dimensions



No.	Part Name	Material	Finish/Colour			
			SN	CR	GC	BL
①	Body	Brass	Satin Nickel	Chrome	Gold	Black Chrome
②	Ring	Brass	Satin Nickel	Chrome	Gold	Black Chrome
③	Front Plate	Stainless Steel (SUS304)	Satin	Polished	Gold	Black Chrome
④	Cam	Stainless Steel (SUS304)	Plain			
⑤	Hex Nut	Steel	Special Anti Rust Painting/Silver			
⑥	Washer	Steel	Special Anti Rust Painting/Silver			
⑦	Hex Nut	Steel	Special Anti Rust Painting/Silver			
⑧	Cover	Polypropylene (PP)	Black			
⑨	Ring	Polypropylene (PP)	Black			
⑩	Strike	Stainless Steel (SUS304)	Polished	Black Chrome		
⑪	Key	Brass	Nickel			

Item Code	Item Name	Finish	Key Type	Glass Thickness	Weight	Box	Carton
150-060-945	1310GL-SN-B	Satin Nickel	Key Different	5 - 8	139 g	12 pcs	60 pcs
150-001-315	1310GL-SN-D	Satin Nickel	Key Alike	5 - 8	139 g	12 pcs	60 pcs
150-060-947	1310GL-CR-B	Chrome	Key Different	5 - 8	139 g	12 pcs	60 pcs
150-001-316	1310GL-CR-D	Chrome	Key Alike	5 - 8	139 g	12 pcs	60 pcs
150-060-949	1310GL-GC-B	Gold	Key Different	5 - 8	139 g	12 pcs	60 pcs
150-001-317	1310GL-GC-D	Gold	Key Alike	5 - 8	139 g	12 pcs	60 pcs
150-028-535	1310GL-BL-B	Black Chrome	Key Different	5 - 8	139 g	12 pcs	60 pcs
150-001-248	1310GL-BL-D	Black Chrome	Key Alike	5 - 8	139 g	12 pcs	60 pcs

Please contact us for this item with Master Key system.





**GLASS DOOR CAM LOCK** Million Lock Series



**1310GLW**

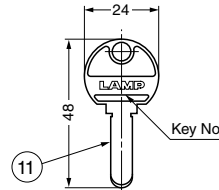
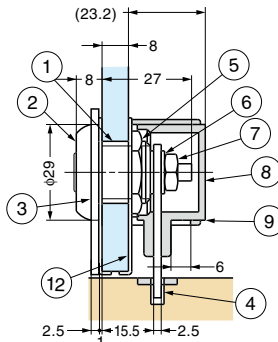
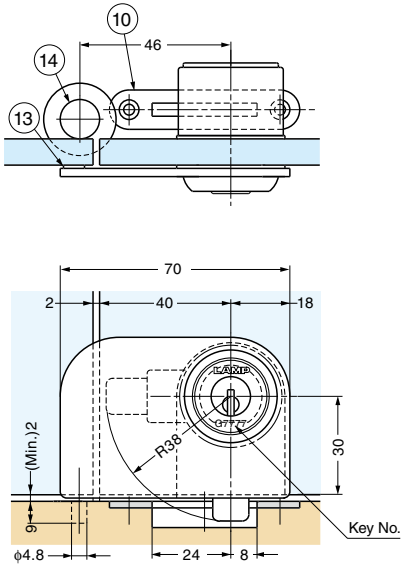


**Features**

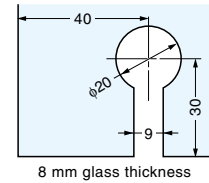
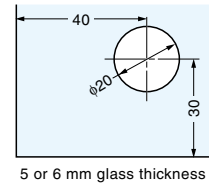
- For double door application.
- Dimple key lock series. Ideal for showcase application.
- Reversible key can be removed when locked and turn 90° rotation clockwise.
- 1 million key changes available.
- Master Key system available at surcharge. (Max. 2,520 key changes/Master Key.)
- Keys can be shared with Million Lock Series.

**Parts Included**

Countersunk head wood screw 2.7 × 13 (SUS)



**Cut Out Dimensions**



No.	Part Name	Material	Finish/Colour		
			SN	CR	GC
①	Body	Brass	Satin Nickel	Chrome	Gold
②	Ring	Brass	Satin Nickel	Chrome	Gold
③	Plate	Brass	Satin Nickel	Chrome	Gold
④	Cam	Stainless Steel (SUS304)	Plain		
⑤	Hex Nut	Steel	Special Anti Rust Painting/Silver		
⑥	Washer	Steel	Special Anti Rust Painting/Silver		
⑦	Hex Nut	Steel	Special Anti Rust Painting/Silver		
⑧	Cover	Polypropylene (PP)	Black		
⑨	Ring	Polypropylene (PP)	Black		
⑩	Strike	Stainless Steel (SUS304)	Polished		
⑪	Key	Brass	Nickel		
⑫	Plate	Stainless Steel (SUS304)	Polished		
⑬	Clear Bumper BS-40	Polyurethane (PUR)	Clear		
⑭	Stopper SS-324BR	Polyamide (PA)	Brown		

Item Code	Item Name	Key Type	Glass Thickness	Weight	Box	Carton
150-060-951	1310GLW-SN-B	Key Different	5 - 8	206 g	12 pcs	60 pcs
150-001-318	1310GLW-SN-D	Key Alike	5 - 8	206 g	12 pcs	60 pcs
150-060-953	1310GLW-CR-B	Key Different	5 - 8	206 g	12 pcs	60 pcs
150-001-319	1310GLW-CR-D	Key Alike	5 - 8	206 g	12 pcs	60 pcs
150-060-955	1310GLW-GC-B	Key Different	5 - 8	206 g	12 pcs	60 pcs
150-001-320	1310GLW-GC-D	Key Alike	5 - 8	206 g	12 pcs	60 pcs

Please contact us for this item with Master Key system.



# GLASS DOOR CAM LOCK (W/INDICATOR) 2200 Lock Series

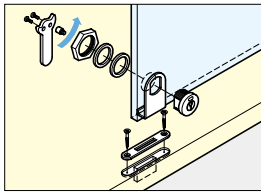
2200GL



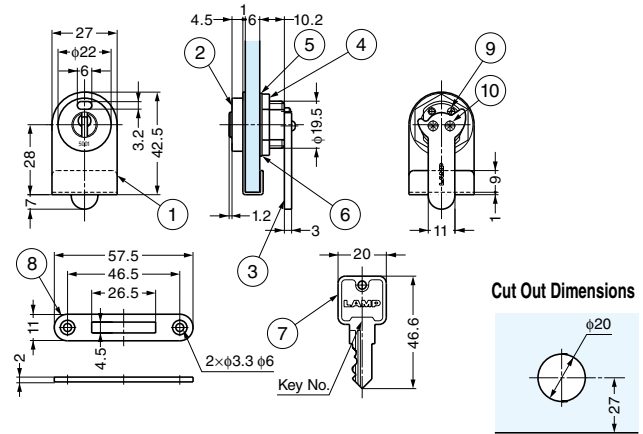
### Features

- With indicator: Unlocked - Blue, Locked - Red.
- Ideal for application of showcase or audio rack.
- Available for both right and left swing door.
- Key can be removed when locked.
- 12 key changes available. (Max. 300 key changes as special order)
- Master Key system (170 key changes) available at surcharge. (1 Master Key only.)
- Keys can be shared with 2200 Lock Series.

### Installation



No.	Part Name	Material	Finish/Colour/Type
①	Front Plate	Stainless Steel (SUS304)	Polished
②	Body	Zinc Alloy (ZDC)	Satin Nickel
③	Cam	Steel	Nickel
④	Hex Nut	Brass	Nickel
⑤	Plastic Washer	Polyamide (PA)	Natural
⑥	Washer	Steel	Chrome
⑦	Key	Brass	Nickel
⑧	Strike	Steel	Chrome
⑨	Screw (Stopper for the Lock Plate)	Brass	Plain
⑩	Screw (for Installing the Lock Plate)	Steel	Nickel/Pan Head Screw M2.5x8



Item Code	Item Name	Key Type	Glass Thickness	Weight	Box
150-062-066	2200GL-B	Key Different	4 - 6	75 g	12 pcs
150-060-914	2200GL-D	Key Alike	4 - 6	75 g	12 pcs

Please contact us for this item with Master Key system.

# GLASS DOOR CAM LOCK 2100 Lock Series

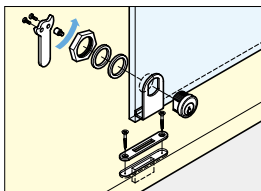
2100GL



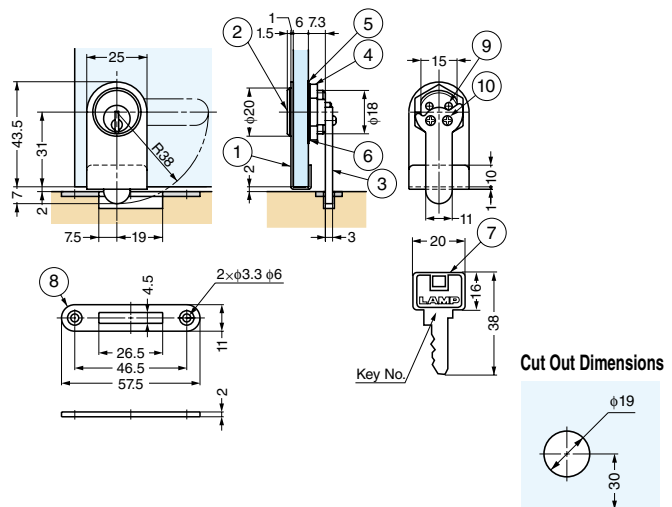
### Features

- Ideal for application of showcase or audio rack.
- Available for both right and left swing door.
- Key can be removed when locked.
- 12 key changes available in stock.
- Keys can be shared with 2100 Lock Series.

### Installation



No.	Part Name	Material	Finish/Colour/Type
①	Front Plate	Stainless Steel (SUS304)	Polished
②	Body	Brass	Satin Nickel
③	Cam	Steel	Nickel
④	Hex Nut	Brass	Nickel
⑤	Plastic Washer	Polyamide (PA)	Natural
⑥	Washer	Steel	Chrome
⑦	Key	Brass	Nickel
⑧	Strike	Steel	Chrome
⑨	Screw (Stopper for the Lock Plate)	Brass	Plain
⑩	Screw (for Installing the Lock Plate)	Steel	Nickel/Pan Head Screw M2.5x8



Item Code	Item Name	Key Type	Glass Thickness	Weight	Box
150-001-057	2100GL-B	Key Different	4 - 6	75 g	12 pcs
150-001-058	2100GL-D	Key Alike	4 - 6	75 g	12 pcs

# GLASS DOOR LOCK 2100 Lock Series



## MKL-2100



### Features

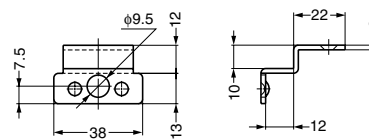
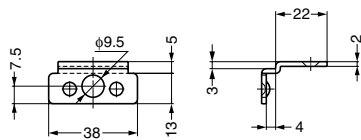
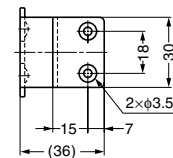
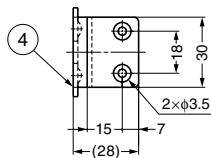
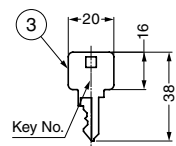
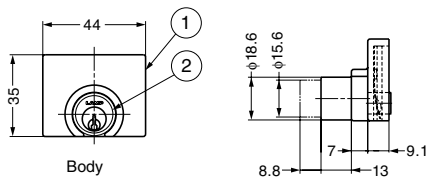
- Pre-drilling on glass not required.
- For inset door.
- MKL-B mounting plate (option) is available for overlay.
- Key different type possible as special order (12 key changes).
- Keys can be shared with 2100 Lock Series.

### Parts Included

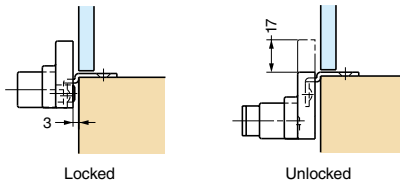
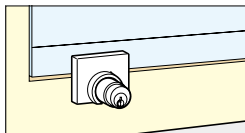
- Mounting plate for inset doors
- Flat head cross screws 3.1 x 1.6 (SUS)

### Optional Parts

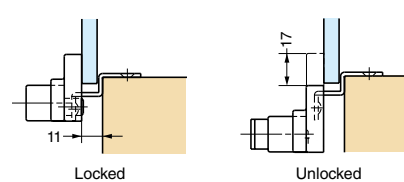
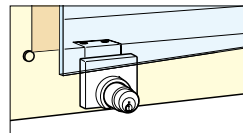
Mounting plate for overlay door MKL-B



### Inset Door



### Overlay Door



No.	Part Name	Material	Finish
①	Plate	Zinc Alloy (ZDC)	Nickel
②	Push Lock	Zinc Alloy (ZDC)	Searchlight Chrome
③	Key	Brass	Nickel
④	Counter Plate for Inset Door	Stainless Steel (SUS304)	Polished

### Body

Item Code	Item Name	Key Type	Glass Thickness	Weight	Box	Carton
150-069-709	MKL-2100-D	Key Alike	5 - 8	125 g	12 pcs	60 pcs

### Counter Plate for Overlay Door (Optional Parts)

Item Code	Item Name	Material	Finish	Box	Carton
150-069-538	MKL-B	Stainless Steel (SUS304)	Polished	60 pcs	360 pcs



**PUSH LOCK 2100 Lock Series**



**2100B**



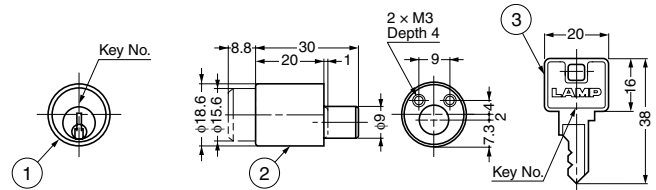
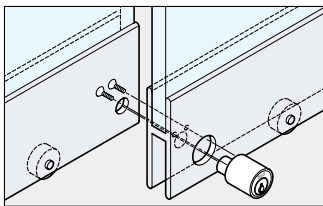
**Features**

- For metal-framed glass doors or sheet metal double sliding doors.
- Push the cylinder to lock.
- Insert and turn key to unlock (60° rotation).
- 12 key changes available.
- Keys can be shared with 2100 Lock Series.

**Parts Included**

Countersunk head screw M3 × 5

**Installation**



No.	Part Name	Material	Finish
①	Body	Zinc Alloy (ZDC)	Nickel
②	Cylinder Case	Brass	Nickel
③	Key	Brass	Nickel
-	Key Ring	Stainless Steel (SUS304)	Nickel

Item Code	Item Name	Key Type	Cylinder Diameter	Thickness	Weight	Box	Carton
150-001-070	2100B-B	Key Different	φ18.6	20	50 g	40 pcs	400 pcs
150-001-071	2100B-D	Key Alike	φ18.6	20	50 g	40 pcs	400 pcs

**PUSH LOCK 2100 Lock Series**



**2110B**



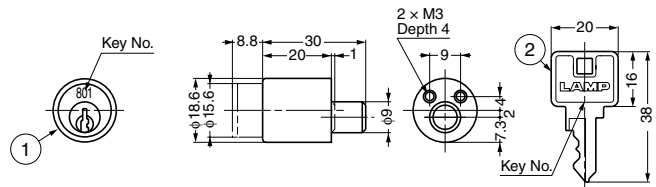
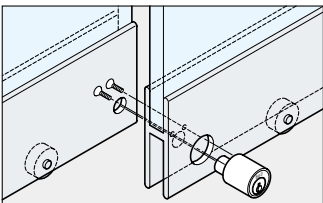
**Features**

- For metal-framed glass doors or sheet metal double sliding doors.
- To Lock: Insert key and turn 60° clockwise. Push-in the cylinder with key and turn 60° back.
- To Unlock: Insert key and turn 60° clockwise and lock will automatically disengage. Turn the key 60° back and remove.
- 12 key changes available.
- Keys can be shared with 2100 Lock Series.

**Parts Included**

Countersunk head screw M3 × 5

**Installation**



No.	Part Name	Material	Finish
①	Body	Zinc Alloy (ZDC)	Satin Nickel (Core: Buffing Nickel Coating)
②	Key	Brass	Nickel

Item Code	Item Name	Key Type	Cylinder Diameter	Thickness	Weight	Box	Carton
150-001-072	2110B-B	Key Different	φ18.6	20	50 g	40 pcs	400 pcs
150-001-073	2110B-D	Key Alike	φ18.6	20	50 g	40 pcs	400 pcs

**PUSH LOCK**



**2150B, 2160B**

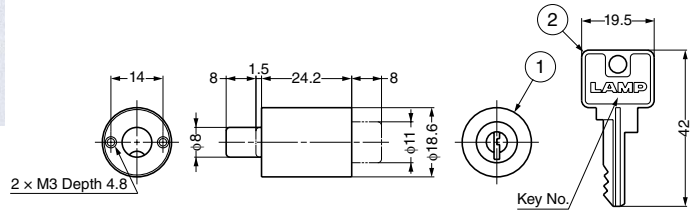


**Features**

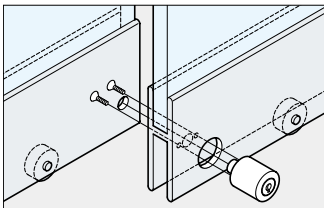
- For metal-framed glass doors and sheet metal double sliding doors.
- How to lock:  
2150B - push cylinder to lock.  
2160B - turn key to lock and unlock.
- 24 key changes available.

**Parts Included**

Countersunk head screw M3 × 5



**Installation**



No.	Part Name	Material	Finish
①	Body	Zinc Alloy (ZDC)	Nickel
②	Key	Brass	Nickel

Item Code	Item Name	Key Type	How to Lock	Cylinder Diameter	Frame Thickness	Weight	Box	Carton
150-060-410	2150B-B	Key Different	Without Key	$\phi 18.6$	24	50 g	24 pcs	240 pcs
150-060-411	2150B-D	Key Alike	Without Key	$\phi 18.6$	24	50 g	24 pcs	240 pcs
150-060-069	2160B-B	Key Different	With Key	$\phi 18.6$	24	50 g	24 pcs	240 pcs
150-060-070	2160B-D	Key Alike	With Key	$\phi 18.6$	24	50 g	24 pcs	240 pcs

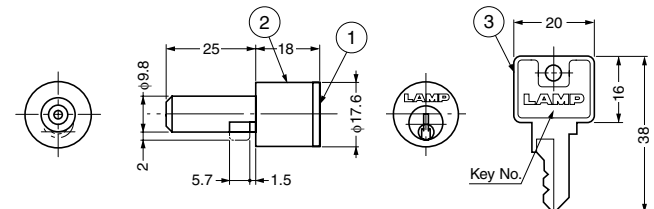
**GLASS DOOR LOCK**

**6300-D**

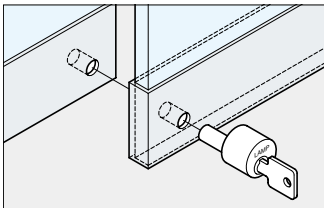


**Features**

- For metal-framed glass doors or sheet metal double sliding doors.
- Easy installation. Just 10 mm bore required on the door.
- Remove cylinder along with key to unlock.
- 96 key changes available.



**Installation**



No.	Part Name	Material	Finish
①	Body	Zinc Alloy (ZDC)	Satin Nickel
②	Cylinder Case	Brass	Nickel
③	Key	Brass	Nickel

Item Code	Item Name	Key Type	Cylinder Diameter	Frame Thickness	Metal Sheet Thickness	Weight	Box	Carton
150-001-145	6300-D	Key Alike	$\phi 9.8$	19	1.2	50 g	24 pcs	240 pcs

# GLASS DOOR CAM LOCK 2100 Lock Series

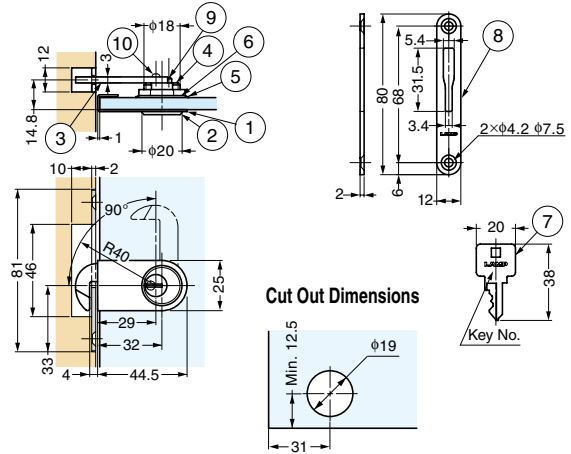
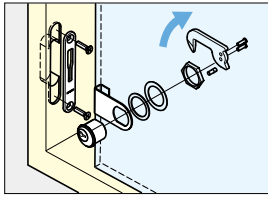
# 2100GLK



### Features

- For swinging glass doors. Ideal for showcase application.
- Available for both right and left swing door.
- The key is removable only when locked.
- 12 key changes available.
- Keys can be shared with 2100 Lock Series.

### Installation



No.	Part Name	Material	Finish
①	Front Plate	Stainless Steel (SUS304)	Satin
②	Body	Brass	Satin Nickel
③	Cam	Steel	Nickel
④	Hex Nut	Brass	Nickel
⑤	Plastic Washer	Polyamide (PA)	Natural
⑥	Washer	Steel	Nickel
⑦	Key	Brass	Nickel
⑧	Strike	Steel	Nickel
⑨	Screw (Stopper for the Lock Plate)	Brass	Plain
⑩	Screw (for Installing the Lock Plate)	Steel	Nickel

Item Code	Item Name	Key Type	Cylinder Diameter	Glass Thickness	Weight	Box	Carton
150-020-475	2100GLK-B	Key Different	φ20	4 - 6	75 g	12 pcs	120 pcs
150-001-147	2100GLK-D	Key Alike	φ20	4 - 6	75 g	12 pcs	120 pcs

# CAM LOCK

# DIS-022R-D



### Features

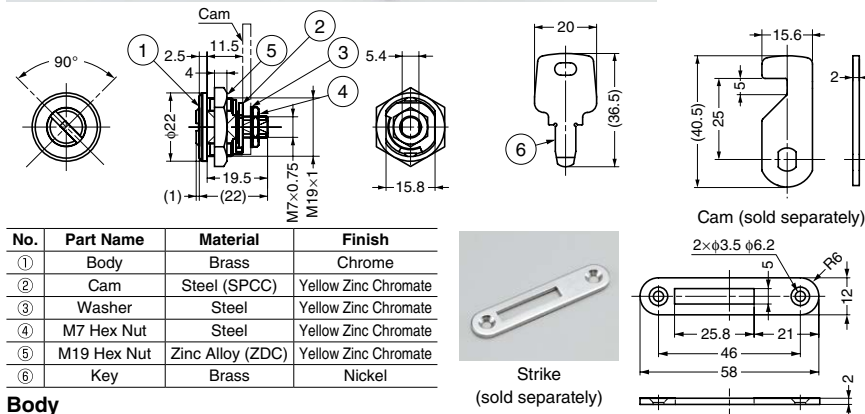
- Thin cylinder lock with dimple key.
- Reversible key can be removed when locked and unlocked (90° rotation).

### Remarks

Cam and strike are sold separately.

### Sold Separately

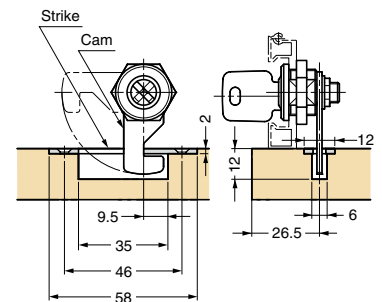
- Stainless cam DIS-010
- Stainless strike DIS-011



No.	Part Name	Material	Finish
①	Body	Brass	Chrome
②	Cam	Steel (SPCC)	Yellow Zinc Chromate
③	Washer	Steel	Yellow Zinc Chromate
④	M7 Hex Nut	Steel	Yellow Zinc Chromate
⑤	M19 Hex Nut	Zinc Alloy (ZDC)	Yellow Zinc Chromate
⑥	Key	Brass	Nickel



### Installation



Cut Out Dimensions	Lock Position

Item Code	Item Name	Key Type	Door Thickness	Weight	Box
150-018-944	DIS-022R-D	Key Alike	Max. 5	50 g	50 pcs

### Cam (Sold Separately)

Item Code	Item Name	Material	Finish	Weight
180-018-598	DIS-010	Stainless Steel (SUS304)	Polished	7 g

### Strike (Sold Separately)

Item Code	Item Name	Material	Finish	Weight
180-018-599	DIS-011	Stainless Steel (SUS304)	Polished	7 g

Parts included: Countersunk head wood screw 2.7×13 (SUS)

# SECURITY CAM LOCK

# NO990



### Features

- Specially designed key with magnet prevents from lock-picking and duplication of the key.
- Key can be removed when locked (90° rotation).
- With/without drill-protection cover available.
- Max. 40,000 key changes available.
- Lock without ring can be made to order.

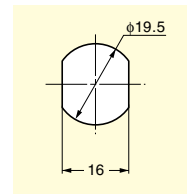
### Application

Vending machine, ATM.

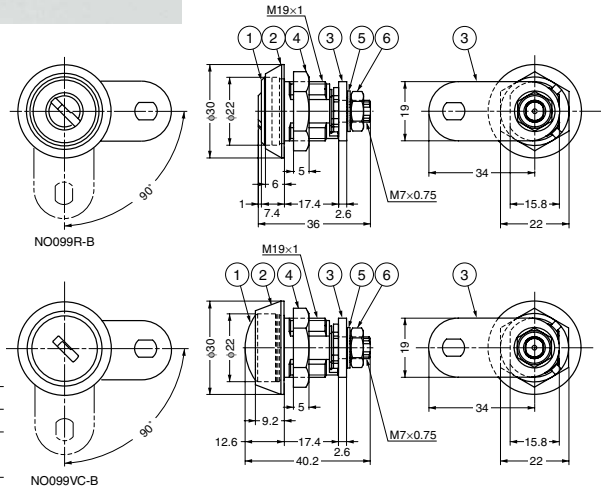
### Remarks

- Not attract strong magnet.
- Master Key is not available.

### Cut Out Dimensions



Without ring (Made to order)



No.	Part Name	Material	Finish
①	Body	Brass	Chrome
②	Ring	NO990R-B : Brass NO990VC-B: Zinc Alloy (ZDC)	Chrome
③	Cam	Steel (SPCC)	Yellow Zinc Chromate
④	Nut M19×1	Zinc Alloy (ZDC)	Clear Zinc Chromate
⑤	Washer for M7	Steel	Yellow Zinc Chromate
⑥	Nut M7×0.75	Steel	Yellow Zinc Chromate
⑦	Key	Brass/Ferrite	Nickel

Item Code	Item Name	Key Type	Drill-Protection Cover	Door Thickness	Weight	Box	Carton
150-013-020	NO990R-B	Key Different	Without	0.8 - 8	103 g	25 pcs	100 pcs
150-013-019	NO990VC-B	Key Different	With	0.8 - 8	109 g	25 pcs	100 pcs

# CAM LOCK WITH HOLE SHUTTER

# 920BS



### Features

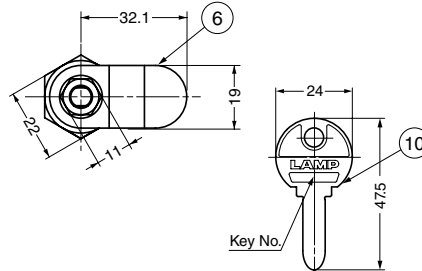
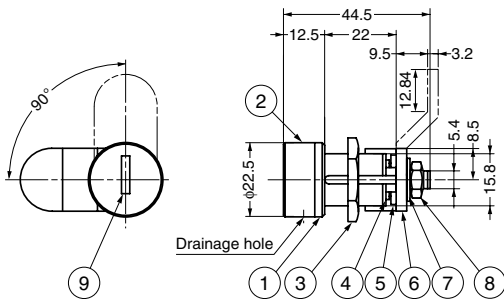
- Cylinder lock with key hole shutter.
- Reversible key can be removed when locked (90° rotation).
- 3,200 key changes available.
- Master Key system available at surcharge.  
(Max. 120 key changes/Master Key.)
- Cam can be changed to straight type at surcharge.

### Application Example

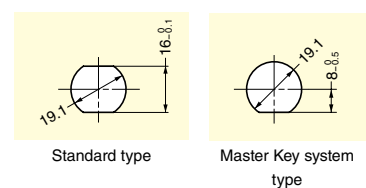
Mailbox

### Remarks

Place drainage hole in downward.



### Cut Out Dimensions



No.	Part Name	Material	Finish
①	Body	Brass	Chrome
②	Cover	Brass	Chrome
③	M19 Hex Nut	Steel (SS)	Yellow Zinc Chromate
④	Ring	Stainless Steel	-
⑤	Revolving Part	Steel (SPCC)	Yellow Zinc Chromate
⑥	Cam	Steel (SPCC)	Yellow Zinc Chromate
⑦	Washer	Steel	Yellow Zinc Chromate
⑧	M7 Hex Nut	Steel (SS)	Yellow Zinc Chromate
⑨	Shutter	Stainless Steel	-
⑩	Key	Brass	Nickel

Item Code	Item Name	Key Type	Door Thickness	Weight	Box	Carton
150-025-144	920BS-B	Key Different	0.8 - 12	97.4 g	12 pcs	60 pcs
150-001-237	920BS-D	Key Alike	0.8 - 12	97.4 g	12 pcs	60 pcs

Please contact us for this item with Master Key system.

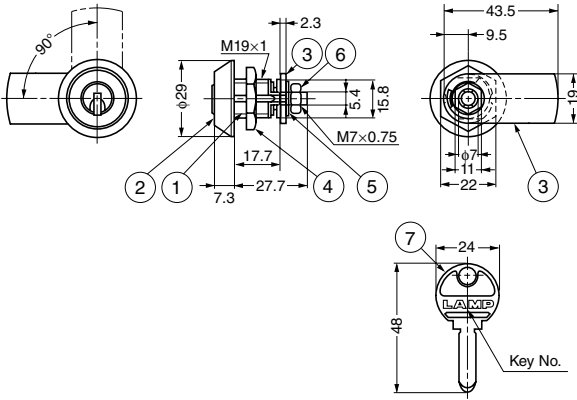
# CAM LOCK Million Lock Series

900



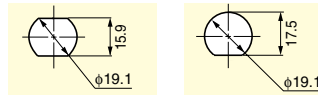
### Features

- Suitable for vending machine, ATM and coin locker.
- Reversible key can be removed when locked (90° rotation).
- 1 million key changes available.
- Master Key system available at surcharge. (Max. 2,520 key changes/Master Key.)
- Other shapes of cam can be made to order.
- Keys can be shared with Million Lock Series.

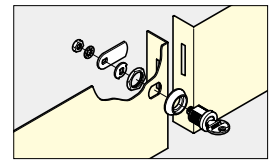


### Cut Out Dimensions

(Standard type) (Master Key system type)



### Installation



Item Code	Item Name	Key Type	Door Thickness	Weight	Box	Carton
150-060-247	900-B	Key Different	0.8 - 8	120 g	12 pcs	60 pcs
150-001-080	900-D	Key Alike	0.8 - 8	120 g	12 pcs	60 pcs

Please contact us for this item with Master Key system.

No.	Part Name	Material	Finish
①	Body	Brass	Chrome
②	Ring	Brass	Chrome
③	Cam	Steel	Yellow Zinc Chromate
④	Hex Nut	Steel	Yellow Zinc Chromate
⑤	Washer	Steel	Nickel
⑥	Hex Nut	Steel	Yellow Zinc Chromate
⑦	Key	Brass	Nickel

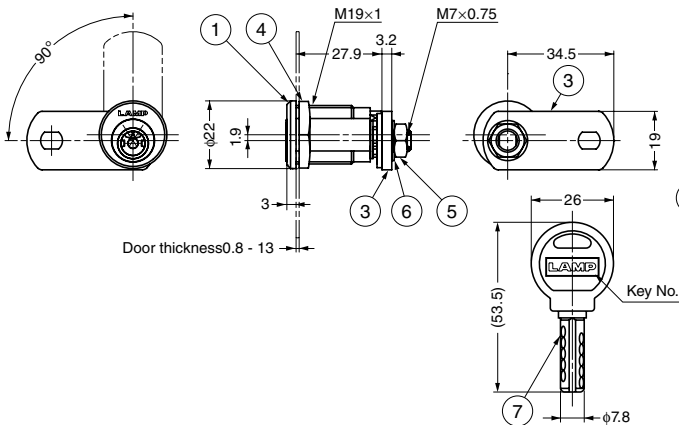
# SECURITY CAM LOCK

DCY-34

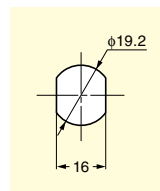


### Features

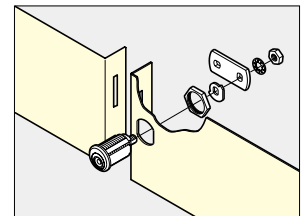
- Specially designed key provides security.
- Durability with thick cam.
- Reversible key can be removed when locked (90° rotation).
- Cam direction changeable.
- 2,000 key changes available.
- Master Key system available at surcharge. (Max. 866 key changes/Master Key.)



### Cut Out Dimensions



### Installation



Item Code	Item Name	Key Type	Door Thickness	Weight
150-014-159	DCY-34-B	Key Different	0.8 - 13	101 g
150-014-158	DCY-34-D	Key Alike	0.8 - 13	101 g

Please contact us for this item with Master Key system.

No.	Part Name	Material	Finish/Colour
①	Body	Brass	Chrome
②	90° Cam	Steel (SPCC)	Yellow Zinc Chromate
③	Cam	Steel (SPCC)	Yellow Zinc Chromate
④	M19 Hex Nut	Steel (SS)	Yellow Zinc Chromate
⑤	M7 Hex Nut	Steel (SWCH)	Yellow Zinc Chromate
⑥	Inner Counter Plate	Steel (S65C)	Yellow Zinc Chromate
⑦	Key	Brass/ABS	Nickel/Black



# STAINLESS STEEL CAM LOCK



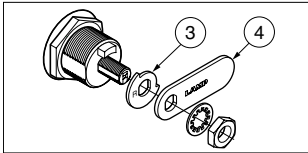
3800S



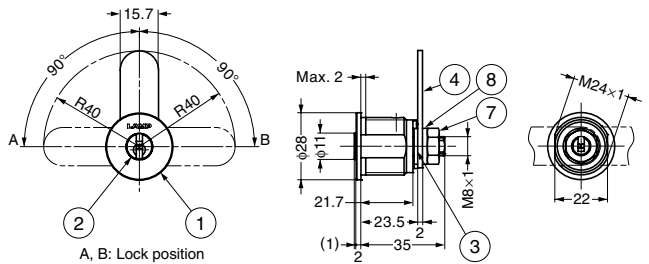
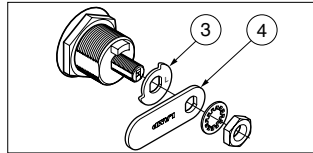
### Features

- High corrosion with stainless steel.
- Non-handed.
- Durability with thick cam.
- Reversible key can be removed when locked (90° rotation).
- Key works as a knob in unlocked position.
- 300 key changes available.
- Master Key system (300 key changes) available at surcharge. (1 Master Key only.)
- Keys can be shared with 3810S (P.319).

### Installation for Right-handed Door



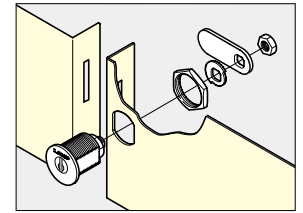
### Installation for Left-handed Door



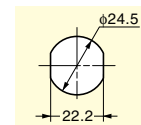
Item Code	Item Name	Key Type	Door Thickness	Weight	Box	Carton
150-012-921	3800S-B	Key Different	2 - 10	120 g	12 pcs	60 pcs
150-012-920	3800S-D	Key Alike	2 - 10	120 g	12 pcs	60 pcs

Please contact us for this item with master function.

### Installation



### Cut Out Dimensions



No.	Part Name	Material	Finish
①	Cylinder (Outer)	Stainless Steel (SUS303)	Satin
②	Cylinder (Inner)	Stainless Steel (SUS303)	2B Finish
③	Cylinder Cam	Stainless Steel (SUS304)	2B Finish
④	Cam	Stainless Steel (SUS304)	Plain
⑤	Nut (for Installing the Body)	Stainless Steel (SUS303)	Plain
⑥	Washer (for Body)	Stainless Steel (SUS304)	Plain
⑦	Nut (for Installing the Lock Plate)	Stainless Steel	Plain
⑧	Washer	Stainless Steel (SUS304)	Plain
⑨	Key	Nickel	Plain
-	Key Ring	Stainless Steel (SUS304)	Plain

\*Cylinder pin is made of brass.

# CAM LOCK

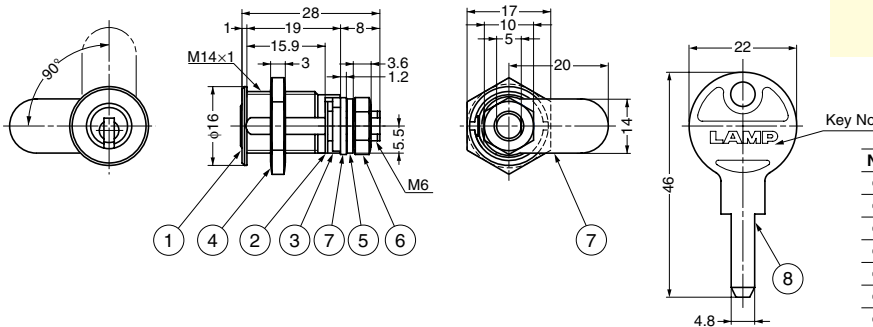
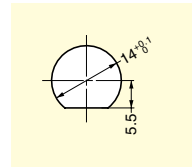
910MS



### Features

- Small cylinder lock with dimple key.
- Reversible key can be removed when locked (90° rotation).
- 47,000 key changes available.
- Master Key system available at surcharge. (Max. 1,000 key changes/Master Key.)

### Cut Out Dimensions



No.	Part Name	Material	Finish
①	Body	Brass	Chrome
②	Ring	Steel	Phosphated Treatment
③	Cam	Steel (SPCC)	Yellow Zinc Chromate
④	M14 Hex Nut	Steel (S20C)	Yellow Zinc Chromate
⑤	Washer	Steel	Yellow Zinc Chromate
⑥	M6 Hex Nut	Steel (S20C)	Yellow Zinc Chromate
⑦	Cam	Steel (SPCC)	Yellow Zinc Chromate
⑧	Key	Brass	Nickel

Item Code	Item Name	Key Type	Door Thickness	Weight	Box	Carton
150-025-141	910MS-B	Key Different	0.8 - 12	25.5 g	12 pcs	60 pcs
150-001-238	910MS-D	Key Alike	0.8 - 12	25.5 g	12 pcs	60 pcs

Please contact us for this item with Master Key system.

**CAM LOCK**

**NAL**

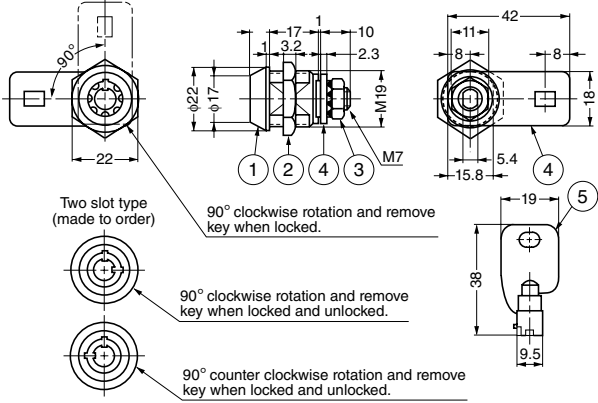


**Features**

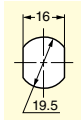
- 90 degree cam rotation.
- Key is removable in locked position only.
- 5,000 key changes available.

**Remarks**

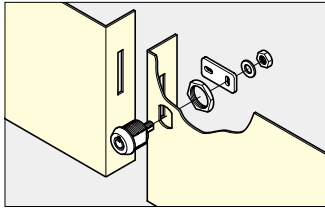
Spring works key to pull back. Push the key tightly and turn to lock and unlocked.



**Cut Out Dimensions**



**Installation**



No.	Part Name	Material	Finish
①	Body	Brass	Chrome
②	Hex Nut	Zinc Alloy (ZDC)	Yellow Zinc Chromate
③	Hex Nut	Steel (SWRCH)	Yellow Zinc Chromate
④	Cam	Steel (SPCC)	Yellow Zinc Chromate
⑤	Key	Steel (SPCC)	Nickel

Item Code	Item Name	Key Type	Cylinder Diameter	Door Thickness	Weight	Box
150-061-067	NAL-B	Key Different	φ19 (width: 15.8)	Max. 10	55 g	100 pcs
150-061-068	NAL-D	Key Alike	φ19 (width: 15.8)	Max. 10	55 g	100 pcs

**MINI CAM LOCK**

**NAL-S**



NAL-S-2-D

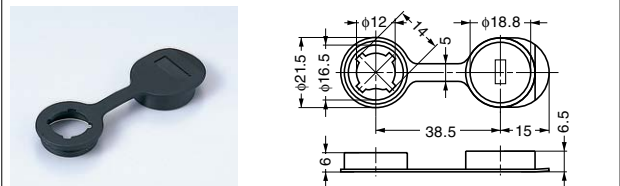
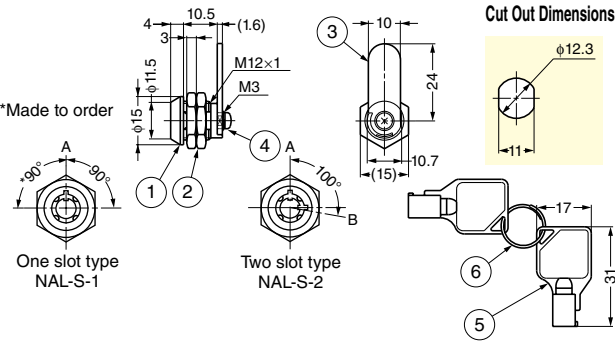
**Features**

- NAL-S-1: Key is removable in locked position only. (Avoids to forget to lock.)
- NAL-S-2: Key is removable in both locked and unlocked positions.
- Cam is reversible.
- Keyed alike only. Key different available as special order.
- 1 key Alike and 25key changes available.

**Optional Parts**

Cap (NAL-S CAP)

No.	Part Name	Material	Finish
①	Body	Zinc Alloy	Chrome
②	Hex Nut	Steel	Clear Zinc Chromate
③	Cam	Steel	Chrome
④	Screw for Installing Lock Plate	Steel	Clear Zinc Chromate
⑤	Key	Steel	Chrome
⑥	Key Ring	Stainless Steel (SUS304)	-



Item Code	Item Name	Material	Colour	Weight	Box	Carton
150-039-050	NAL-S CAP	Polyethylene (PE)	Black	1.5 g	500 pcs	2,000 pcs

Item Code	Item Name	Slots	Key Type	Door Thickness	Weight	Box	Carton
150-034-274	NAL-S-1-B	One	Key Different	Max. 2	25 g	100 pcs	500 pcs
150-060-667	NAL-S-1-D	One	Key Alike	Max. 2	25 g	100 pcs	500 pcs
150-034-275	NAL-S-2-B	Two	Key Different	Max. 2	25 g	100 pcs	500 pcs
150-060-666	NAL-S-2-D	Two	Key Alike	Max. 2	25 g	100 pcs	500 pcs

Please confirm the item in case of changing the specification.

# CABINET LOCK WITH DIAL

# DIT-19



Search key DIT-SK

### Features

- Turn the dial to lock/unlock.
- One-touch installation.
- Able to switch to Changing Mode or Fixing Mode:  
 Changing Mode - Changing the key number according to users.  
 Fixing Mode - Applied the same number as registered.
- Possible to search the number to unlock with Search Key (sold separately).
- Without-latch type also available as special order.
- Possible to engrave any number on body above the dial.

### Application

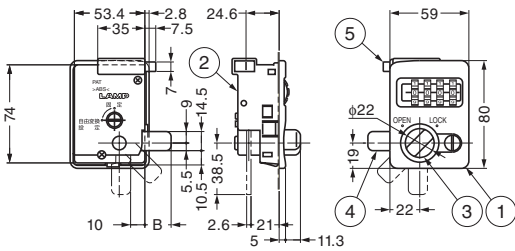
Lockers in public space

### Remarks

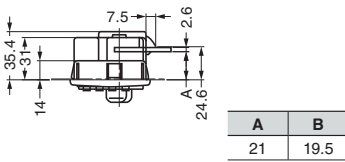
- Use bracket when applying to wood board (available at surcharge).
- First dial number is "0000".
- Adjust number along the centre line to avoid malfunction.

### Optional Parts

Search Key DIT-SK



### Cut Out Dimensions



No.	Part Name	Material	Finish/Colour
①	Body	ABS	White
②	Case	ABS	White
③	Knob	ABS	White
④	Cam	Steel	Yellow Zinc Chromate
⑤	Latch	Polyacetal (POM)	White

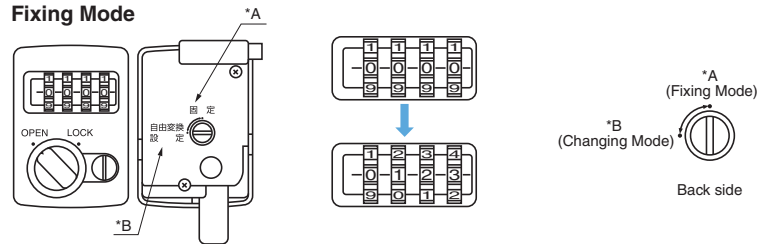
### Changing Mode



Front side Back side

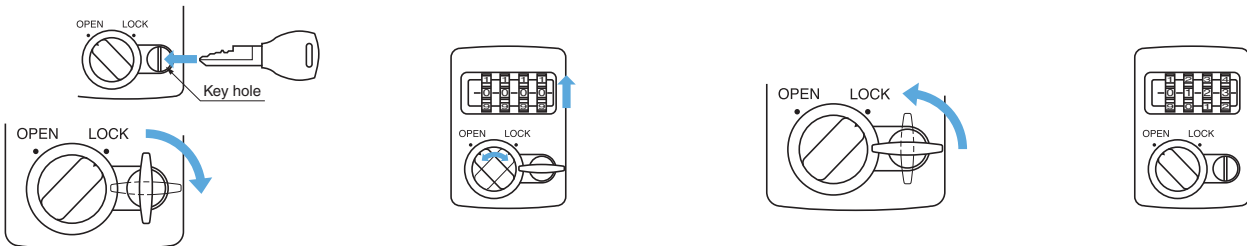
1. Turn the knob to "OPEN" on front side.  
Turn the slot to \*B on back side.
2. Set new number and turn the knob to "LOCK" on front side.

### Fixing Mode



1. Turn the knob to "OPEN" on front side.  
Turn the slot to \*B on back side.
2. Set new number.  
\*Before setting new number, please open the door.
3. Turn the slot to \*A on back side.

### How to Search Dial Number



1. Insert Search Key and turn clockwise.
2. Turn each dials till click (the number clicked is your dial number).
3. Turn Search Key counter-clockwise and remove.
4. Turn the knob to "OPEN" to unlock.

### Body

Item Code	Item Name	Door Thickness	Weight	Carton
150-014-156	DIT-19	0.8	162 g	100 pcs

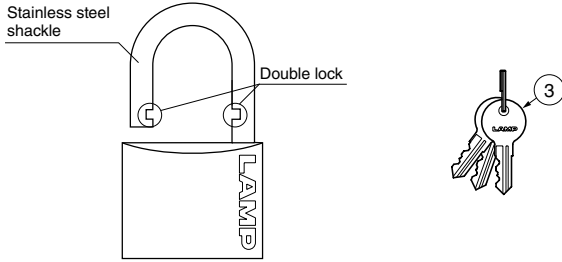
### Search Key (Sold Separately)

Item Code	Item Name	Weight
150-014-157	DIT-SK	11 g

# HIGH SECURITY PADLOCK

# PWL

LOCKS

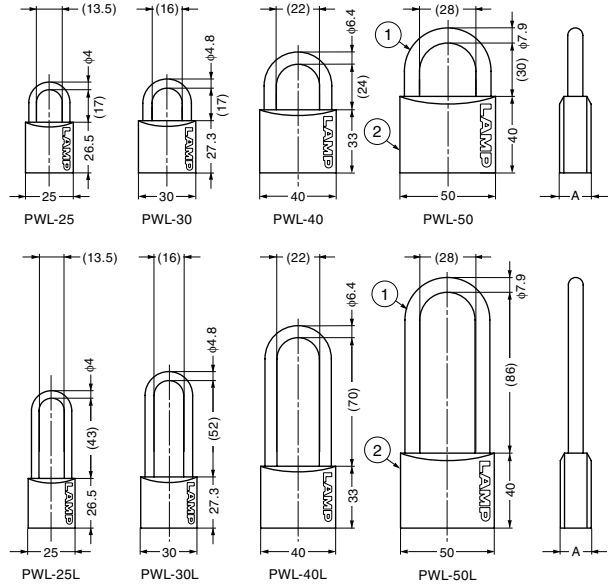


**Features**

- Provides high security with stainless steel shackle and double lock.
- 110 key changes are available.

**Remarks**

Cannot specify key number when ordering.



Item Code	Item Name	A	Weight	Box	Carton
150-013-023	PWL-25	11.5	54 g	10 pcs	100 pcs
150-013-024	PWL-30	12.8	78 g	10 pcs	100 pcs
150-013-025	PWL-40	13.8	143 g	10 pcs	100 pcs
150-013-026	PWL-50	16.5	254 g	5 pcs	50 pcs
150-013-027	PWL-25L	11.5	63 g	10 pcs	100 pcs
150-013-028	PWL-30L	12.8	91 g	10 pcs	100 pcs
150-013-029	PWL-40L	13.8	168 g	10 pcs	100 pcs
150-013-030	PWL-50L	16.5	297 g	5 pcs	50 pcs

No.	Part Name	Material	Finish
①	Shackle	Stainless Steel (SUS304)	-
②	Body	Brass	Chrome
③	Key	Brass	Nickel

HIGH SECURITY PADLOCK / BOX LATCH WITH LOCK

# BOX LATCH WITH LOCK



# BL-70Y



**Features**

- Automatically latches the lid when closed.
- Push button to release.
- 5 key changes available.

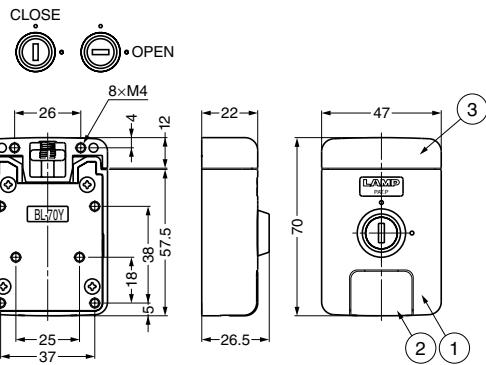
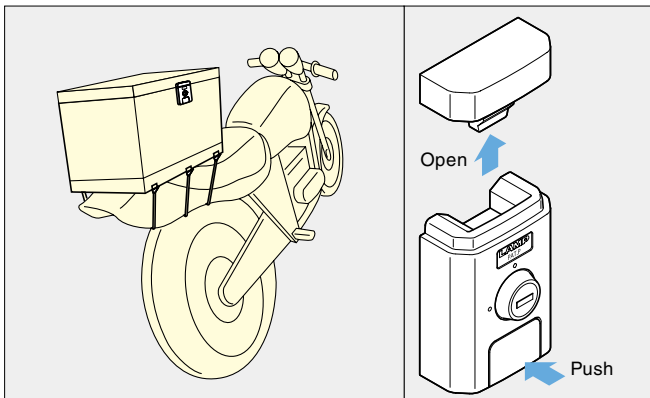
**Application**

Storage box, especially for cars and transport.

**Parts Included**

- Countersunk binding head screw M4 x 12 (SUS)
- Spring lock washer (SUS)

**Installation**



Item Code	Item Name	Key Type	Weight	Box
150-001-076	BL-70Y-B	Key Different	220 g	5 pcs
150-001-077	BL-70Y-D	Key Alike	220 g	5 pcs

No.	Part Name	Material	Finish/Colour
①	Body	Zinc Alloy (ZDC)	Paint/Silver
②	Button	Polyacetal (POM)	Grey
③	Strike	Zinc Alloy (ZDC)	Paint/Silver

## SECURITY LOCK FOR LAPTOP



WL-N1800 (Below)



WL-P1800-B (P.357)



WL-S1800 (P.356)



WL-S2200-B (P.356)

### Features

- Wire lock suitable for security of laptop and TV with D terminal.
- 4 types available: WL-N1800, WL-S1800, WL-S2200-B, WL-P1800-B.
- WL-S2200-B locks 2 laptops at a time.
- High security against picking by applying cylinder locks.
- WL-N1800 and WL-P1800-B can be installed to thin laptop.

## SECURITY LOCK FOR LAPTOP

## WL-N1800



### Features

- Wire lock suitable for security of laptop and TV with D terminal (Optional parts PC20K is needed.).
- Off-set hook for thin laptop.
- Wire length: 1,800 mm
- 10,000 key changes available.
- Key can be removed when locked.
- Wire dia.  $\Phi 4$  mm.
- Master Key system available for WL-N1800-B (Max. 200 key changes/Master Key).

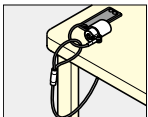
### Remarks

Please make sure security hole as indicated (Below).

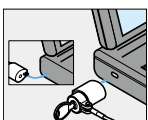
### Optional Parts

- Master Key (made to order)
- Adapter PC20K (P.357)

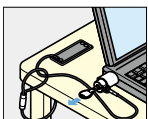
### Installation



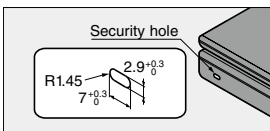
1. Put the wire through a hole on desk and loop.



2. Insert the cylinder into the security hole.

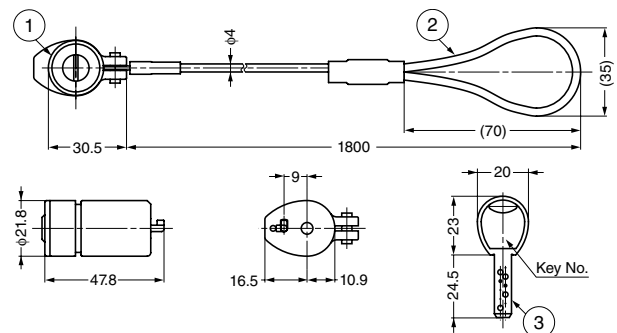
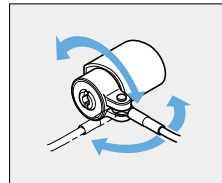


3. Turn the key counter clockwise to lock.



Please make sure security hole is as indicated.

### Movement



No.	Part Name	Material	Finish
①	Lock Body	Zinc Alloy (ZDC)	Satin Nickel
②	Wire	Steel	PVC Coating
③	Key	Brass	Nickel

Item Code	Item Name	Key Type	Master Key System	Weight	Box	Carton
150-001-081	WL-N1800-B	Key Different	With	194.2 g	10 pcs	100 pcs
150-001-148	WL-N1800-D	Key Alike	Without	194.2 g	10 pcs	100 pcs

# SECURITY LOCK FOR LAPTOP

# WL-S1800



### Features

- Wire lock suitable for security of laptop and TV with D terminal (Optional parts PC20K is needed.).
- Wire length: 1,800 mm
- 250 key changes available.  
Master Key system available for WL-S1800-B (Max. 250 key changes /Master Key).
- Key can be removed when locked.
- Wire dia.  $\Phi 3.3$  mm.

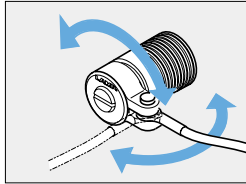
### Remarks

Please make sure security hole is as indicated.

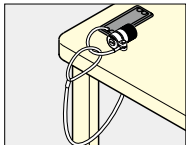
### Optional Parts

- Master Key (made to order)
- Adapter PC20K (P.357)

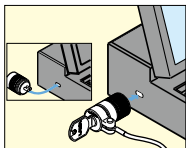
### Movement



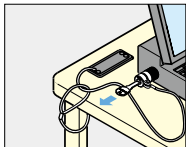
### Installation



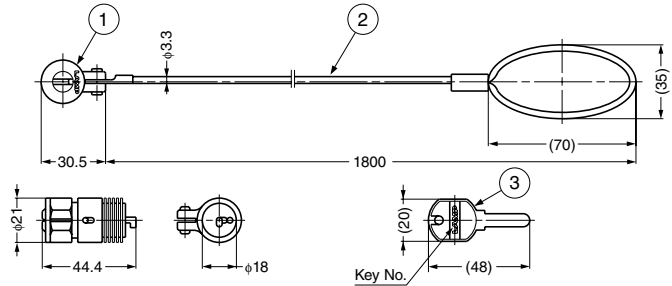
1. Put the wire through a hole on desk and loop.



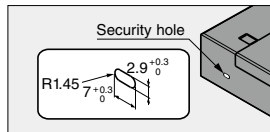
2. Insert the cylinder into the security hole.



3. Turn the key counter clockwise to lock.



No.	Part Name	Material	Finish
①	Lock Body	Zinc Alloy (ZDC)	Satin Nickel
②	Wire	Steel	PVC Coating
③	Key	Brass	Nickel



Please make sure security hole as indicated.

### Master Key (Sold Separately)

Item Code	Item Name
150-001-082	WL-S1800MK1

Item Code	Item Name	Key Type	Master Key System	Weight	Box	Carton
150-001-127	WL-S1800-B	Key Different	With	165 g	5 pcs	50 pcs
150-060-675	WL-S1800-D	Key Alike	Without	165 g	5 pcs	50 pcs

# SECURITY LOCK FOR LAPTOP

# WL-S2200-B



### Features

- Wire lock suitable for security of laptop and TV with D terminal (Optional parts PC20K is needed.).
- Wire length: 1,800 mm.
- With Master Key system (250 key changes/Master Key).
- Key can be removed when locked.
- Wire dia.  $\Phi 3.3$  mm.

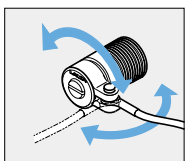
### Remarks

- Both sides of lock has the same key number.
- Please confirm the security hole as indicated.

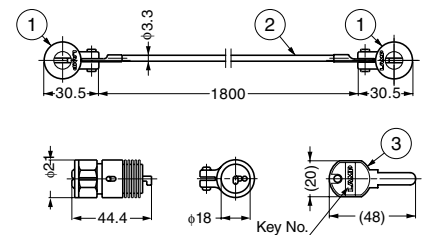
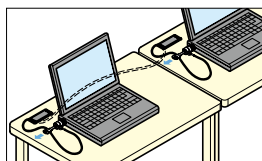
### Optional Parts

- Master Key (made to order)
- Adapter PC20K (P.357)

### Movement



### Installation



Item Code	Item Name	Key Type	Master Key System	Weight	Box	Carton
150-069-339	WL-S2200-B	Key Different	With	220 g	5 pcs	50 pcs

### Master Key (Sold Separately)

Item Code	Item Name
150-001-082	WL-S1800MK1

No.	Part Name	Material	Finish/Colour
①	Lock Body	Zinc Alloy (ZDC)	Satin Nickel
②	Wire	Steel	PVC Coating
③	Key	Brass	Nickel

# SECURITY LOCK FOR LAPTOP

# WL-P1800-B



### Features

- Wire lock suitable for security of laptop and TV with D terminal (Optional parts PC20K is needed).
- Slim type for thin laptop.
- Wire length: 1,800 mm
- 250 key changes available.
- Applying cam lock.
- Key can be removed when locked.
- Wire dia.  $\Phi 4$  mm.

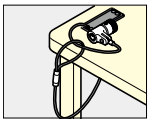
### Remarks

The spring works key to pull back. Push the key tightly and turn to lock and unlocked.

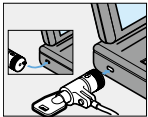
### Optional Parts

Adapter PC20K (P.357)

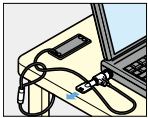
### Installation



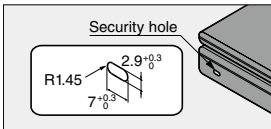
1. Put the wire through a hole on the desk and loop.



2. Insert the cylinder into the security hole.

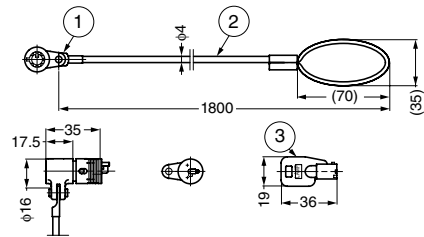
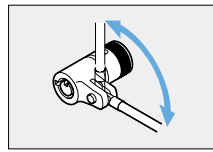


3. Turn the key clockwise to lock.



Please make sure security hole as indicated.

### Movement



No.	Part Name	Material	Finish
①	Lock Body	Zinc Alloy (ZDC)	Satin Nickel
②	Wire	Steel	PVC Coating
③	Key	Brass	Nickel

Item Code	Item Name	Key Type	Weight	Box	Carton
150-060-063	WL-P1800-B	Key Different	134 g	10 pcs	100 pcs

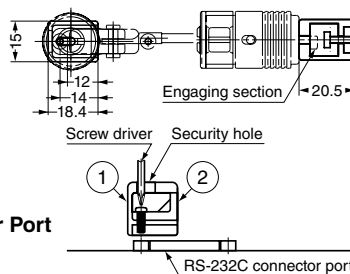
# ADAPTER



# PC20K



### How to Install



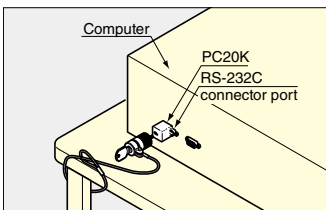
### Features

- Adapter to connect with laptop and terminals.
- Terminal can be connected with : RS-232C, D Terminal, RGB Terminal

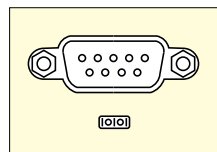
### Parts Included

Pan head screw No.4-40UNCx8

### Installation



### "RS-232C" Connector Port



No.	Part Name	Material	Finish/Colour
①	Body	Zinc Alloy (ZDC)	Nickel
②	Cover	ABS	Black

Item Code	Item Name	Material	Finish	Weight	Box	Carton
150-060-008	PC20K	Zinc Alloy (ZDC)	Nickel	19 g	40 pcs	400 pcs

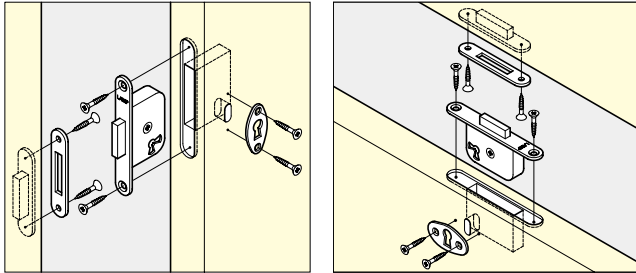
## DEAD BOLT LOCK Rounded Edge



### Features

- Front plate material: RH-80 - SUS304, RH-80-D - brass.
- 3 key changes available.
- Able to lock from both sides of the door.
- Direction of the key hole on cover plate can be changed at surcharge.

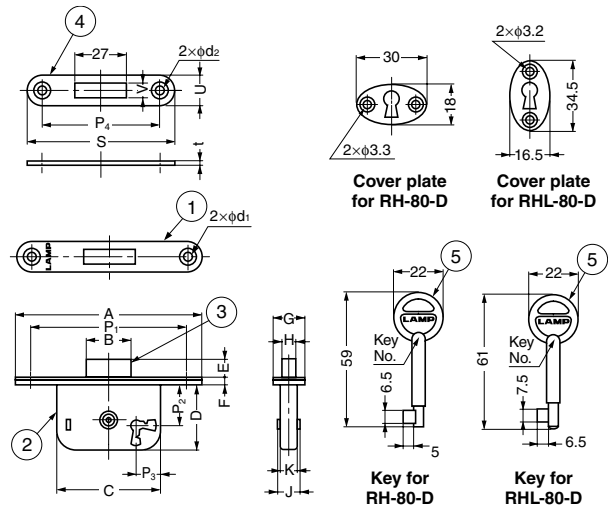
### Installation



Item Code	Item Name	Key Type	Weight	Box	Carton
150-001-129	RH -80-D	Key Alike	41 g	12 pcs	204 pcs
150-001-131	RHL-80-D	Key Alike	92 g	12 pcs	120 pcs

	A	B	C	D	E	F	G	H	J	K	P <sub>1</sub>	P <sub>2</sub>	P <sub>3</sub>	d <sub>1</sub>	S	t	U	V	P <sub>4</sub>	d <sub>2</sub>
RH -80-D	78.3	22	40.4	26.5	6	1.5	11	4	9.5	9	67	16.5	8.5	3.5	57	1.6	11	5	46	3.5
RHL-80-D	98	23	53.4	35	9	3.1	16	6.5	11.5	10.5	82	22	12.5	4.7	78	1.5	16	8	62	4.5

## RH-80-D, RHL-80-D



No.	Part Name	Material	Finish
①	Front Plate	Stainless Steel (SUS304) (RHL-80-D)	Satin
①	Front Plate	Brass (RH-80-D)	Satin
②	Body	Steel	Yellow Zinc Chromate
③	Dead Bolt	Brass	-
④	Strike	Stainless Steel (SUS304) (RHL-80-D)	Satin
④	Strike	Steel (RH-80-D)	Brass
⑤	Key	Zinc Alloy (ZDC)	Chrome

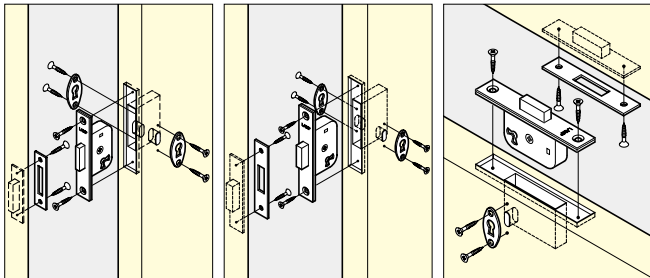
## DEAD BOLT LOCK Squared Edge



### Features

- Front plate material - SUS304
- 3 key changes available.
- Able to lock from both sides of the door.

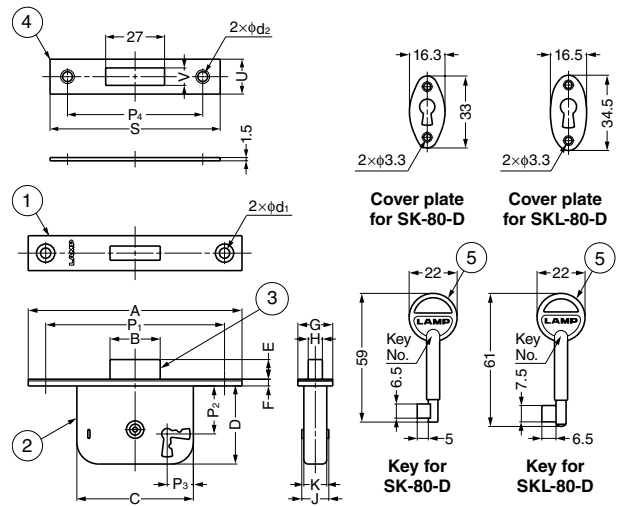
### Installation



Item Code	Item Name	Key Type	Weight	Box	Carton
150-001-133	SK -80-D	Key Alike	47 g	12 pcs	204 pcs
150-001-135	SKL-80-D	Key Alike	89 g	12 pcs	120 pcs

	A	B	C	D	E	F	G	H	J	K	P <sub>1</sub>	P <sub>2</sub>	P <sub>3</sub>	d <sub>1</sub>	S	U	V	P <sub>4</sub>	d <sub>2</sub>
SK -80-D	80	22	40.4	26.5	6	2.8	14	4	9.5	9	66	16.5	8.5	3.5	50	12	5	40	3.5
SKL-80-D	98	23	53.4	35	8.5	3	16	6.5	11.5	10.5	82	21	12.5	4.7	78	16	8	62	4.5

## SK-80-D, SKL-80-D



No.	Part Name	Material	Finish
①	Front Plate	Stainless Steel (SUS304)	Satin
②	Body	Steel	Yellow Zinc Chromate
③	Dead Bolt	Stainless Steel (SUS304) (SK-80-D)	-
③	Dead Bolt	Brass (SKL-80-D)	-
④	Strike	Stainless Steel (SUS304)	Satin
⑤	Key	Zinc Alloy (ZDC)	Chrome



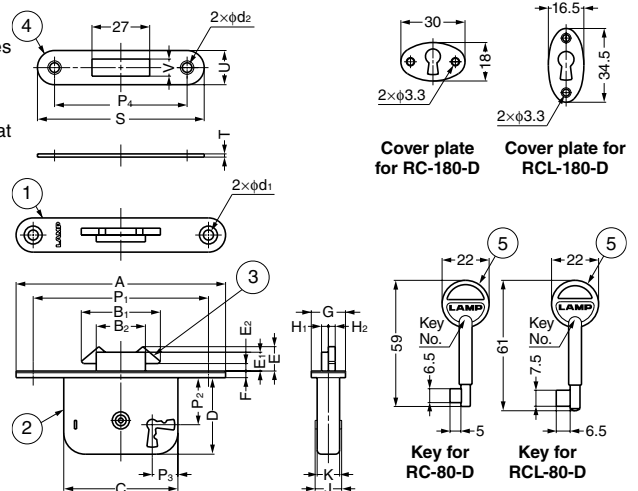
## DEAD BOLT LOCK **Rounded Edge**

## RC-180-D, RCL-180-D

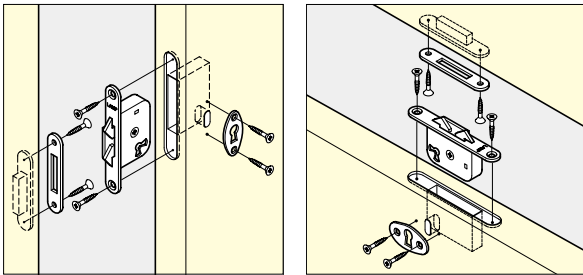


### Features

- Front plate material: RC-180-D - SUS304, RCL-180-D - brass.
- Ideal for sliding door.
- 3 key changes available.
- Able to lock from both sides of the door.
- Direction of the key hole on cover plate can be changed at surcharge.



### Installation



Item Code	Item Name	Key Type	Weight	Box	Carton
150-001-137	RC -180-D	Key Alike	42 g	12 pcs	204 pcs
150-001-139	RCL-180-D	Key Alike	93 g	12 pcs	120 pcs

No.	Part Name	Material	Finish
①	Front Plate	Stainless Steel (SUS304) (RCL-180-D)	Satin
①	Front Plate	Brass (RC-180-D)	Satin
②	Body	Steel	Yellow Zinc Chromate
③	Dead Bolt	Brass	-
④	Strike	Stainless Steel (SUS304) (RCL-180-D)	Satin
④	Strike	Steel (RC-180-D)	Brass
⑤	Key	Zinc Alloy (ZDC)	Chrome

	A	B <sub>1</sub>	B <sub>2</sub>	C	D	E	E <sub>1</sub>	E <sub>2</sub>	F	G	H <sub>1</sub>	H <sub>2</sub>	J	K	P <sub>1</sub>	P <sub>2</sub>	P <sub>3</sub>	d <sub>1</sub>	S	T	U	V	P <sub>4</sub>	d <sub>2</sub>
RC -180-D	78	35	22	40.4	26.5	9	6	2	1.5	11	2	2	9.5	9	67	16.5	8.5	3.5	57	1.6	11	5	46	3.5
RCL-180-D	98	37	23	53.4	35.8	11.4	8.8	3.5	3.1	16	3.2	3.2	11.2	10.5	82	22	12	4.7	78	1.5	16	8	62	4.5

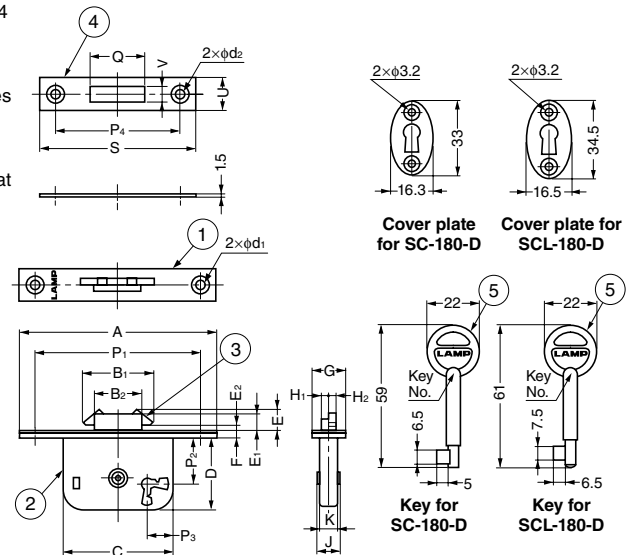
## DEAD BOLT LOCK **Squared Edge**

## SC-180-D, SCL-180-D

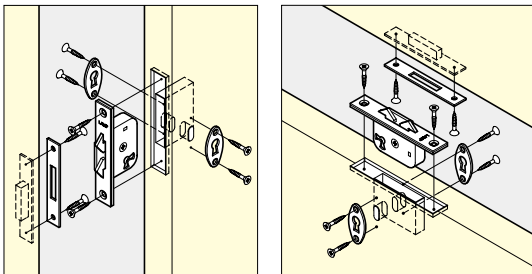


### Features

- Front plate material - SUS304
- Ideal for sliding door.
- 3 key changes available.
- Able to lock from both sides of the door.
- Direction of the key hole on cover plate can be changed at surcharge.



### Installation



Item Code	Item Name	Key Type	Weight	Box	Carton
150-001-141	SC -180-D	Key Alike	48 g	12 pcs	204 pcs
150-001-143	SCL-180-D	Key Alike	95 g	12 pcs	120 pcs

No.	Part Name	Material	Finish
①	Front Plate	Stainless Steel (SUS304)	Satin
②	Body	Steel	Yellow Zinc Chromate
③	Dead Bolt	Brass (SCL-180-D)	-
③	Dead Bolt	Stainless Steel (SUS304) (SC-180-D)	-
④	Strike	Stainless Steel (SUS304)	Satin
⑤	Key	Zinc Alloy (ZDC)	Chrome

	A	B <sub>1</sub>	B <sub>2</sub>	C	D	E	E <sub>1</sub>	E <sub>2</sub>	F	G	H <sub>1</sub>	H <sub>2</sub>	J	K	P <sub>1</sub>	P <sub>2</sub>	P <sub>3</sub>	d <sub>1</sub>	Q	S	U	V	P <sub>4</sub>	d <sub>2</sub>
SC -180-D	80	36.5	22	40.4	26.5	9	6.5	2	2.8	14	2	2	9.5	9	66	16.5	8.5	3.5	26.5	67	11	5	56	3.5
SCL-180-D	98	37	23	53.4	35	11.4	8.8	3.5	3.1	16	3.2	3.2	11.2	10.5	82	21	12.5	4.7	27	78	16	8	62	4.5

# SOLUTIONS FOR SLIDING DOOR APPLICATIONS

## Lock

Surface mount

7810K (P.314)



Recessed mount with handle

HC-3051-CLD (P.300 - 301)



## Latch

Surface mount

HC-70 (P.296)



Recessed mount

HC-30R (P.293)



HHC-85 (P.297)



SC, SCU (P.298 - 299)



Recessed mount with handle

HC-3051-PRV-IND-DSL (P.300 - 301)



LOCKS

SOLUTIONS FOR SLIDING DOOR APPLICATIONS